



education™

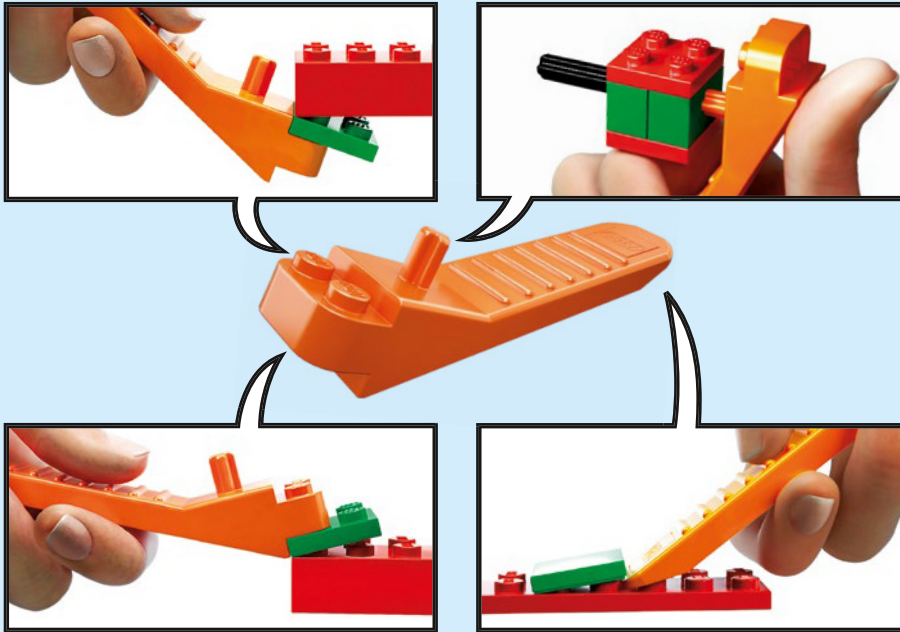


FIRST  
LEGO  
LEAGUE

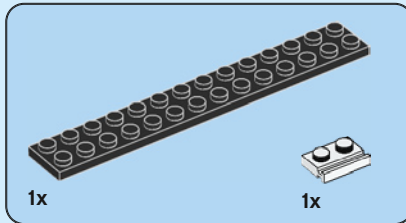
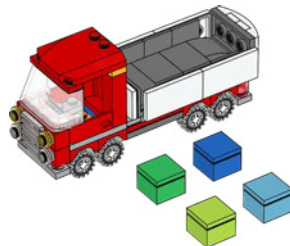
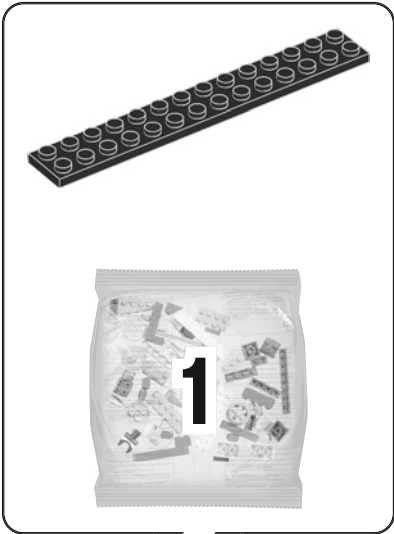
EXPLORE

45817

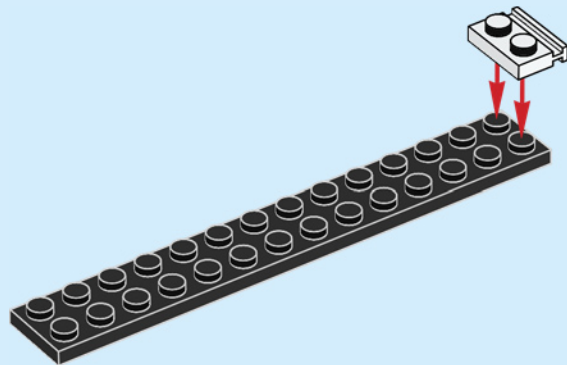




[LEGO.com/brickseparator](https://LEGO.com/brickseparator)



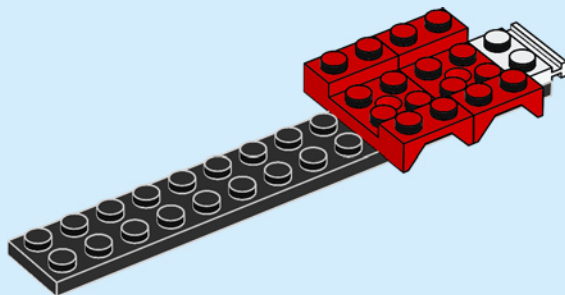
1

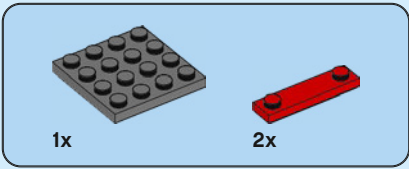




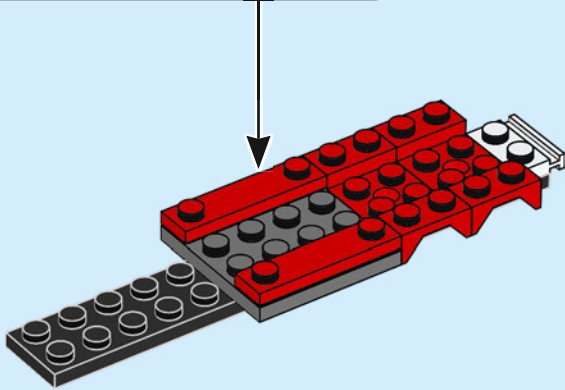
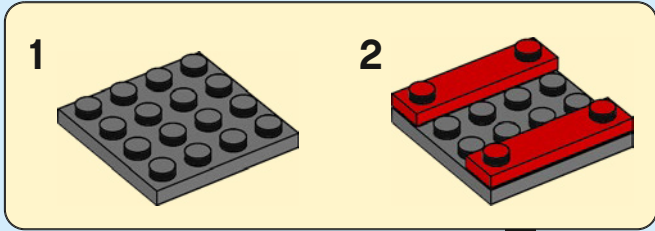
2x

2





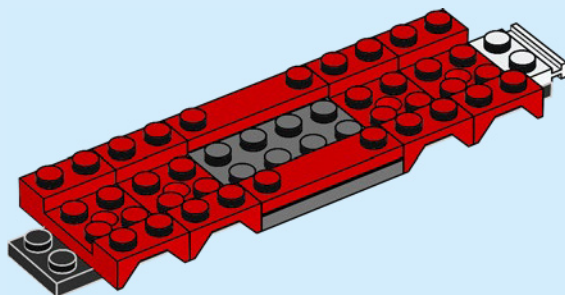
3

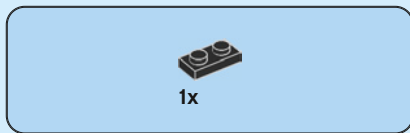




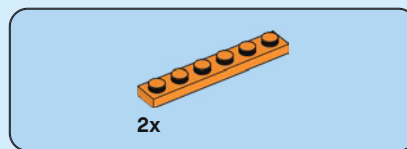
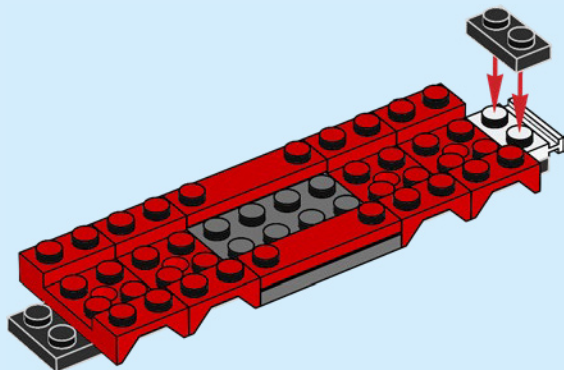
2x

4

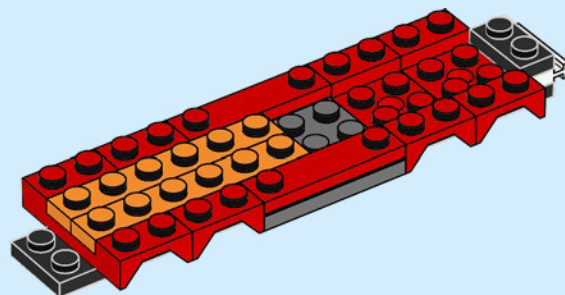


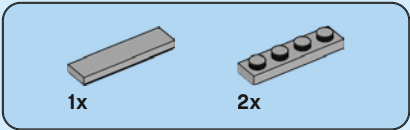


5

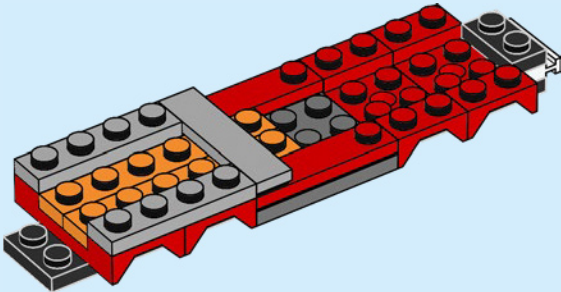


6





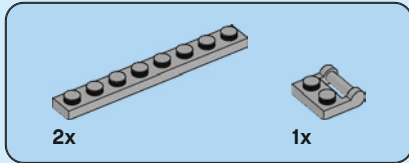
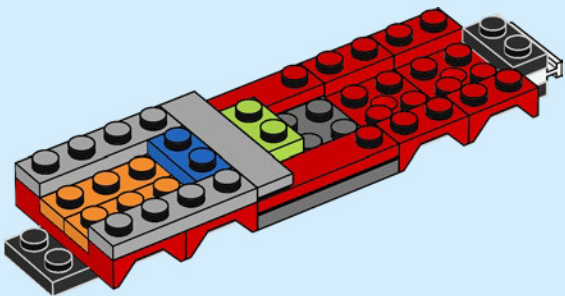
7



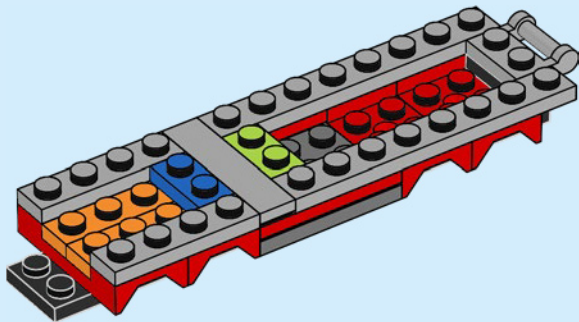


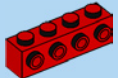


8



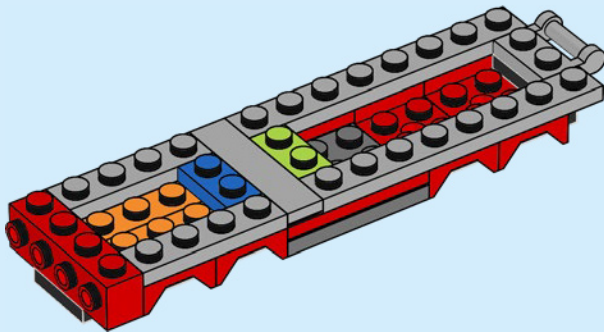
9

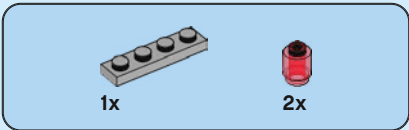




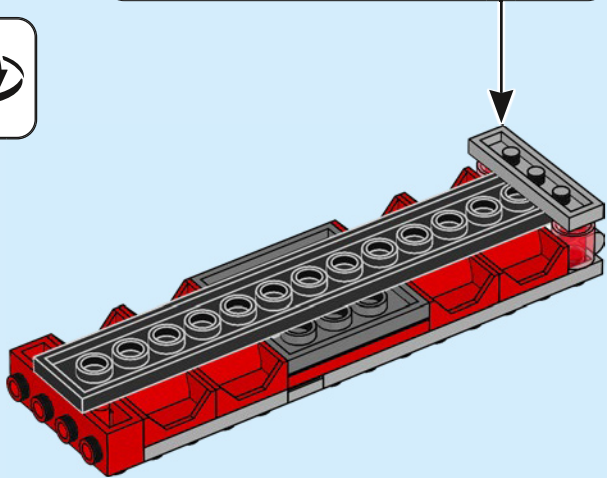
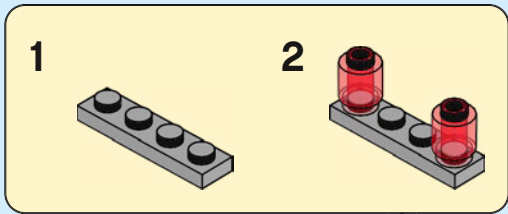
1x

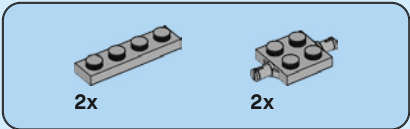
10



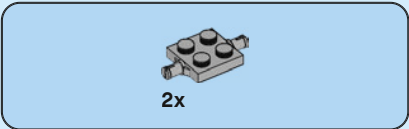
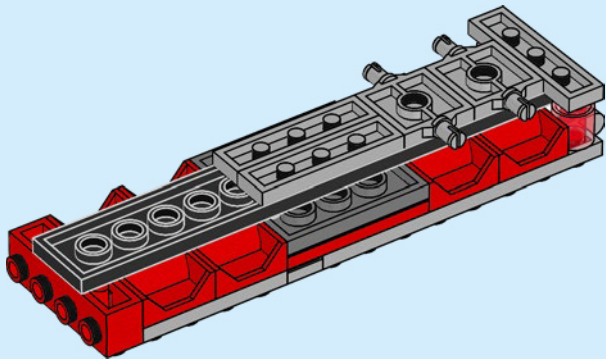


11

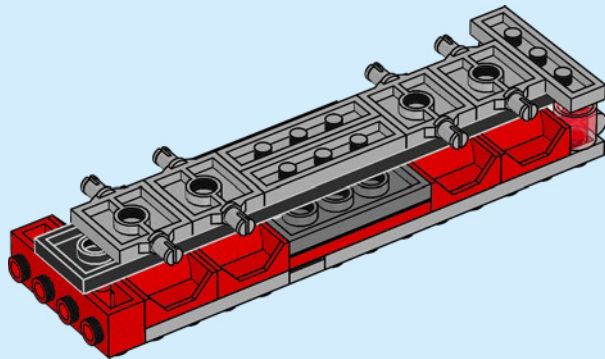


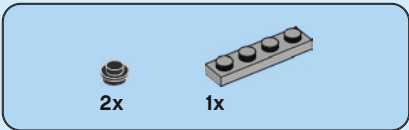


12

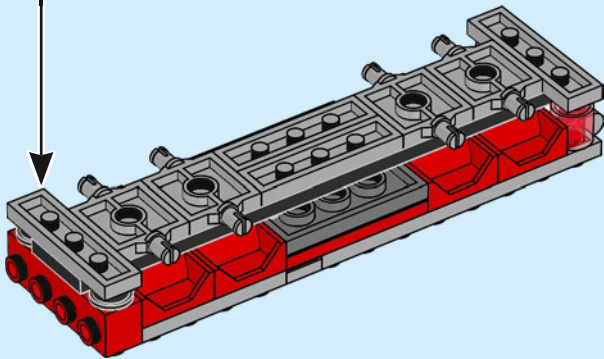
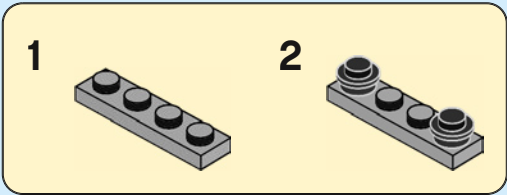


13





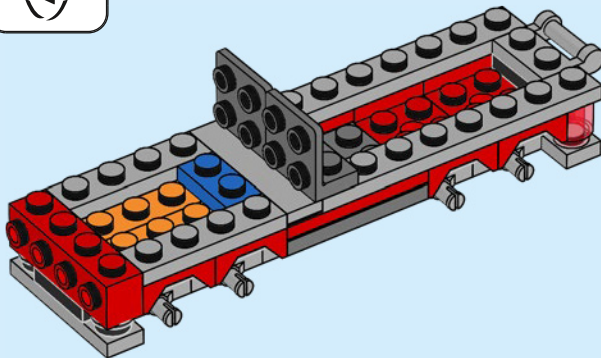
14





2x

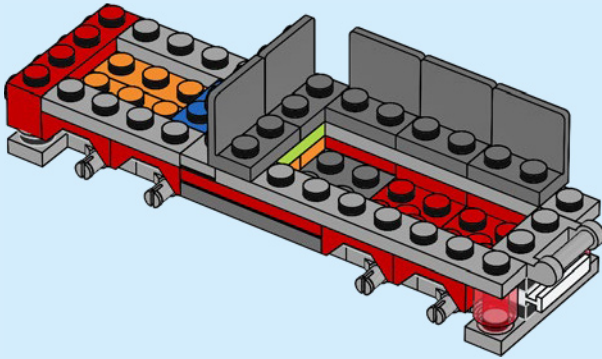
15





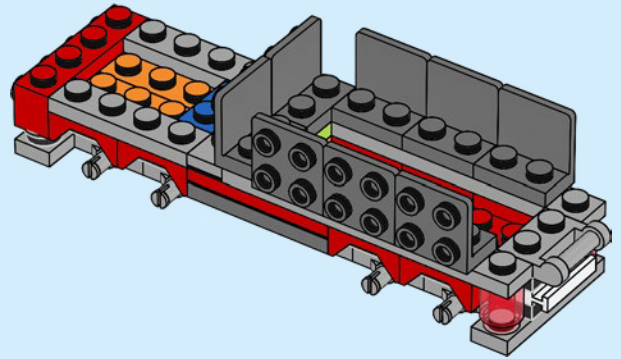
3x

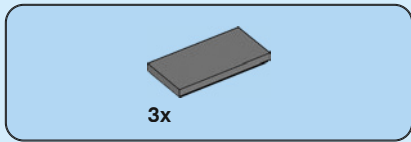
16



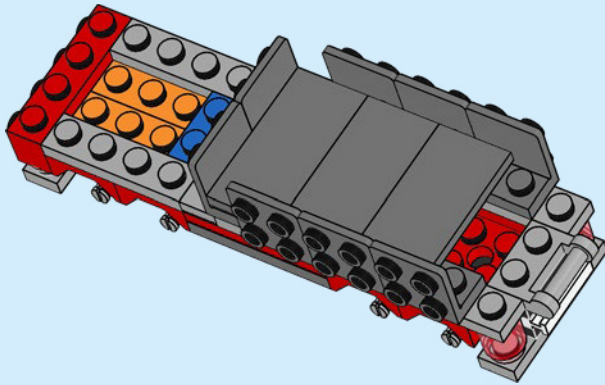
3x

17





18

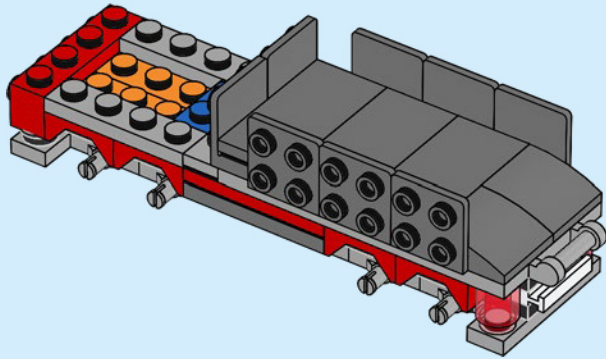






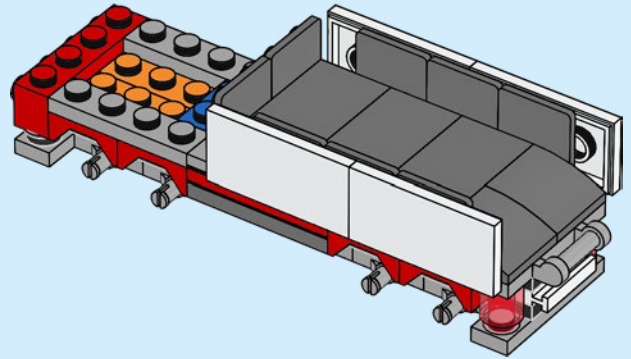
2x

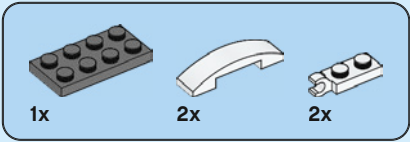
19



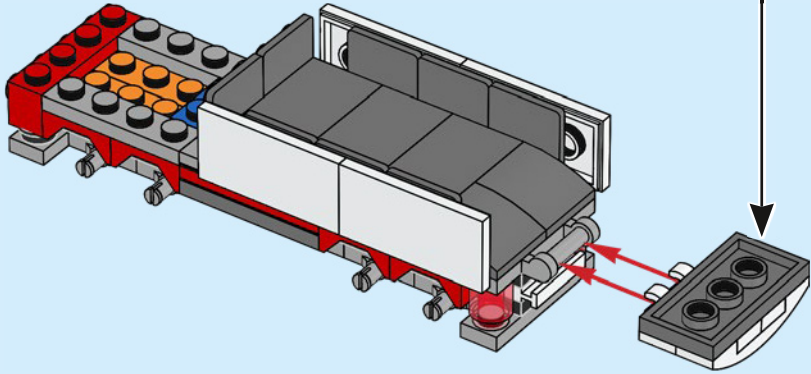
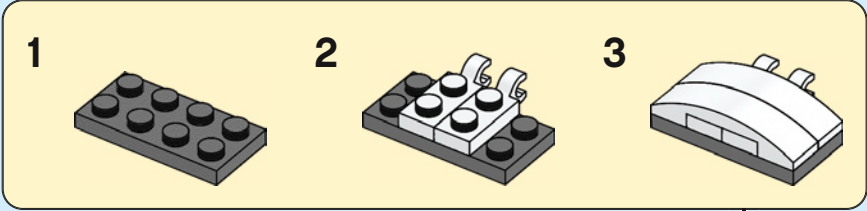
4x

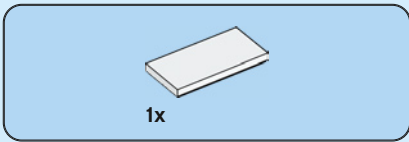
20



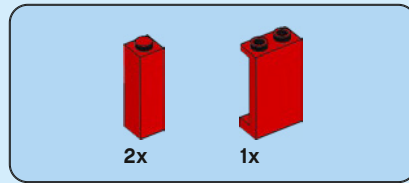
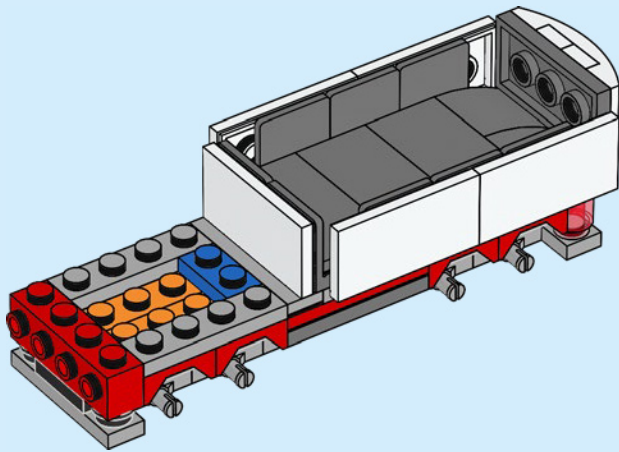


# 21

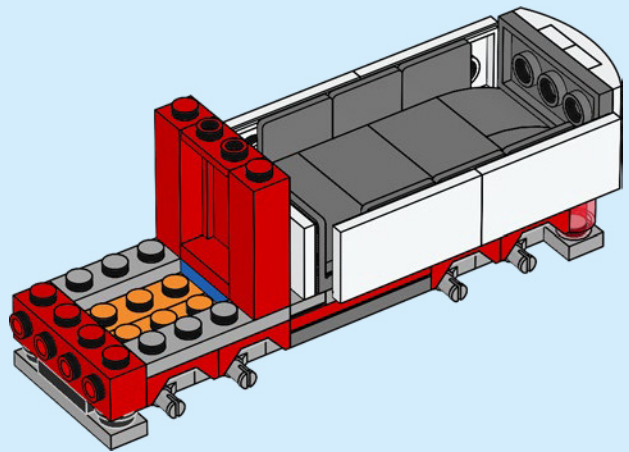




22



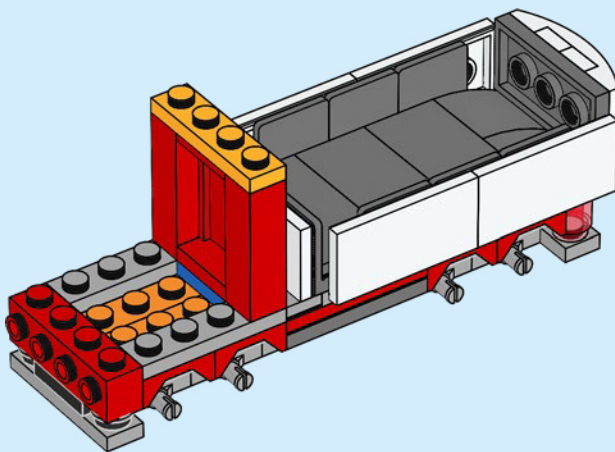
23





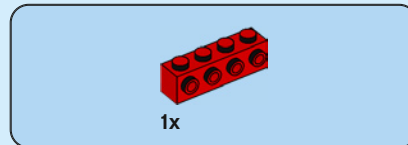
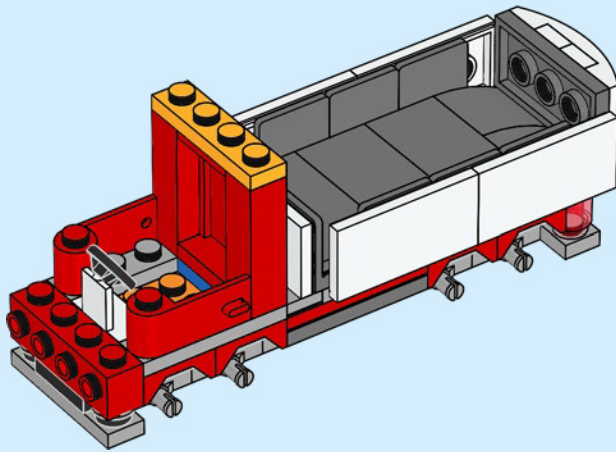
1x

24

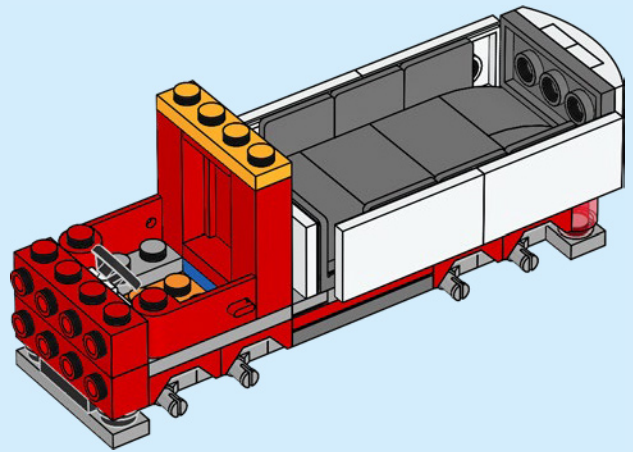


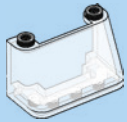


25



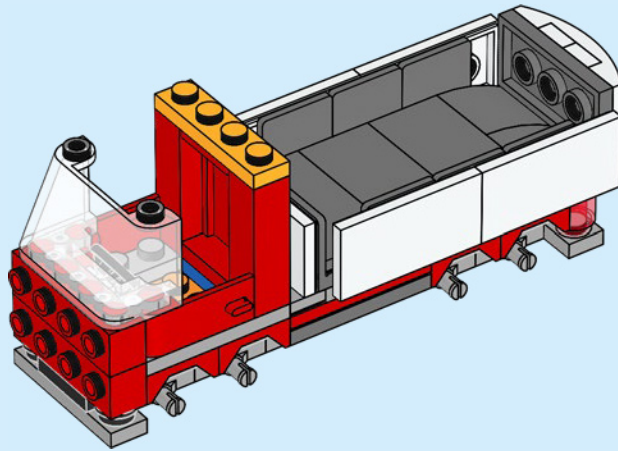
26

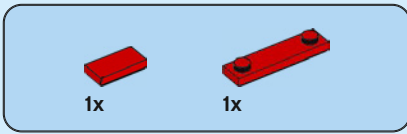




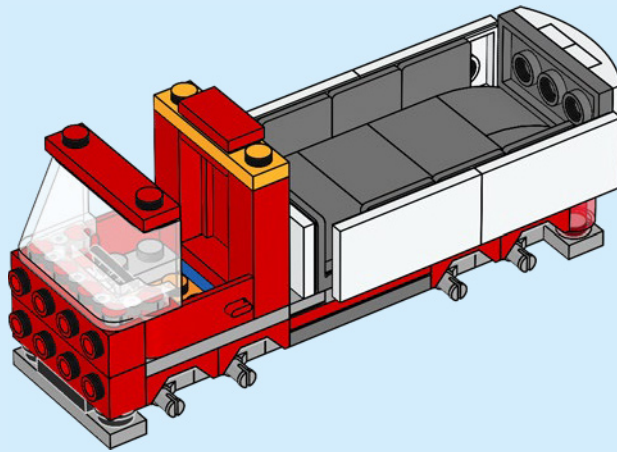
1x

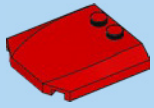
27





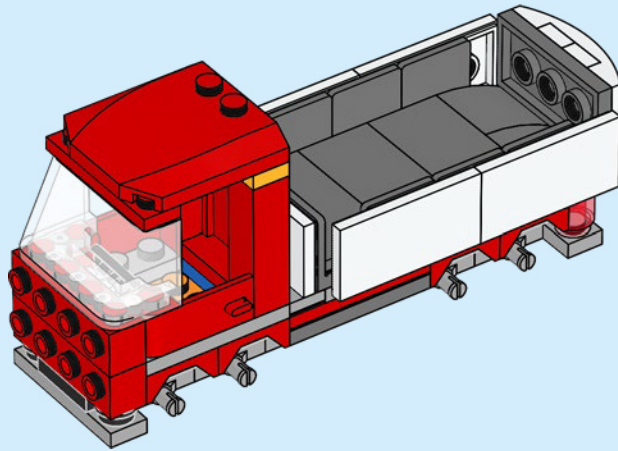
28





1x

29







2x

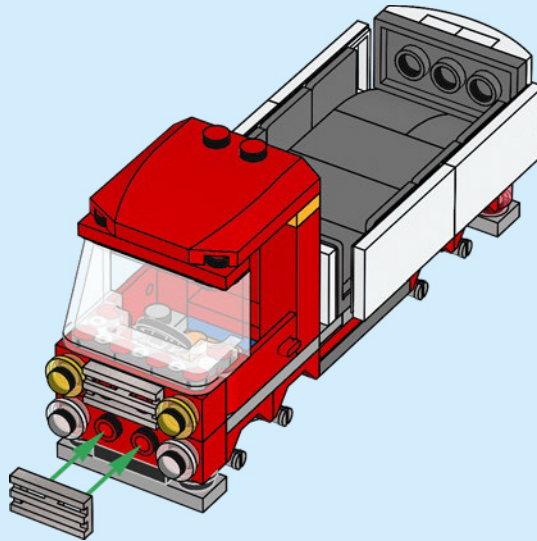


2x



2x

# 30



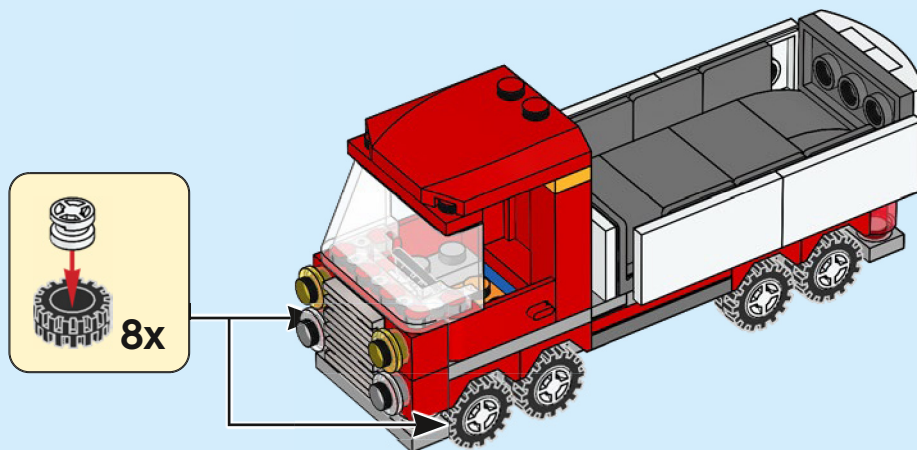


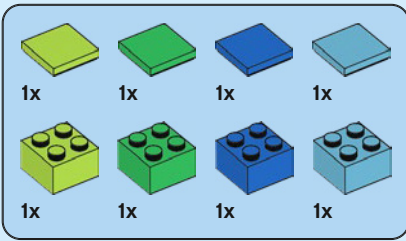
8x



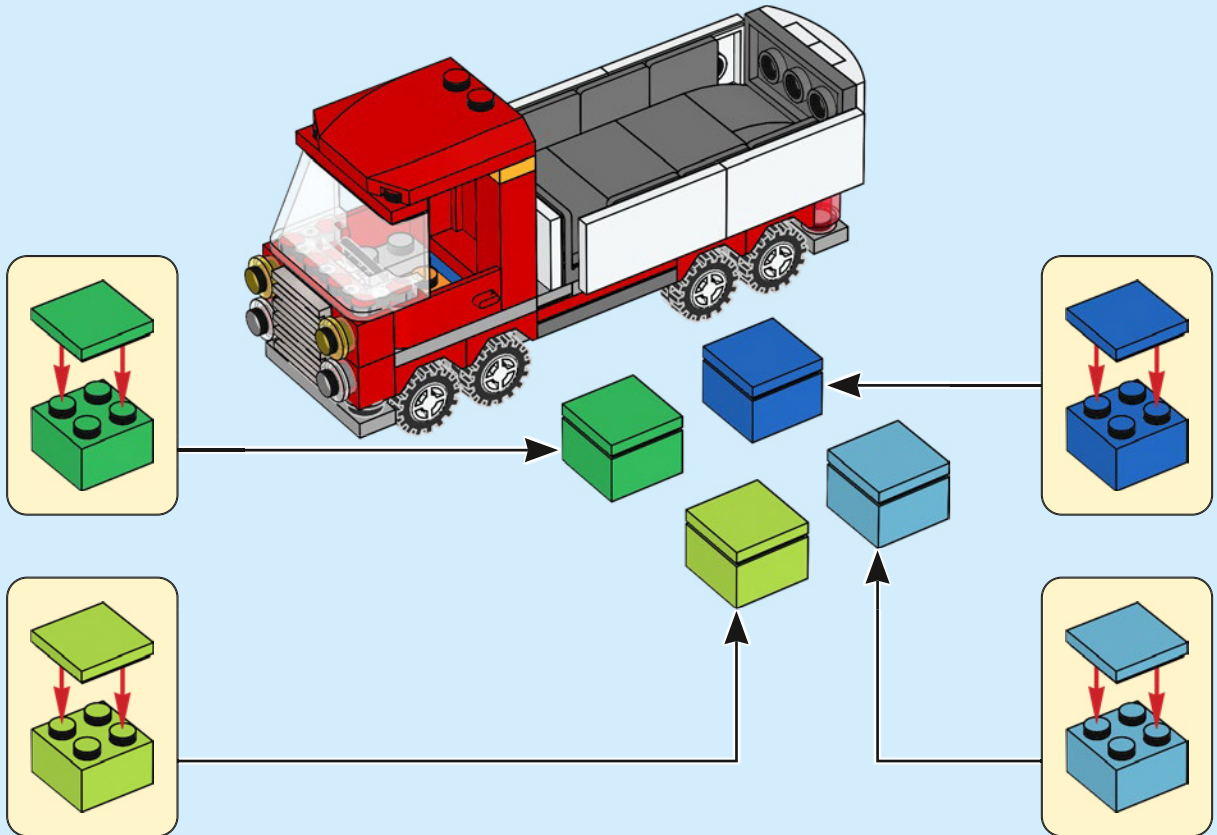
8x

# 31





32



LEGO and the LEGO logo are trademarks of the/son des marques de commerce du/son marcas registradas de LEGO Group.

©2021 The LEGO Group. 6374045

*FIRST*® is a registered trademark of For Inspiration and Recognition of Science and Technology (*FIRST*). LEGO® is a registered trademark of the LEGO Group.  
*FIRST*® LEGO® League and CARGO CONNECT™ are jointly held trademarks of *FIRST* and the LEGO Group.

©2021 *FIRST* and the LEGO Group. All rights reserved.