



education

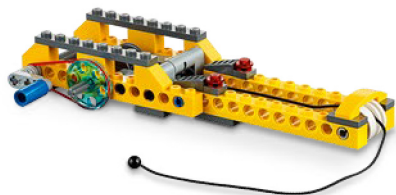


**FIRST**  
**LEGO**  
**LEAGUE JR.**

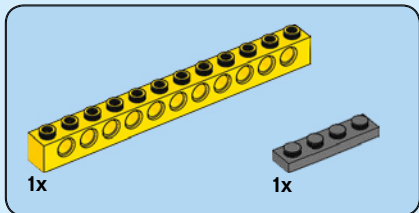
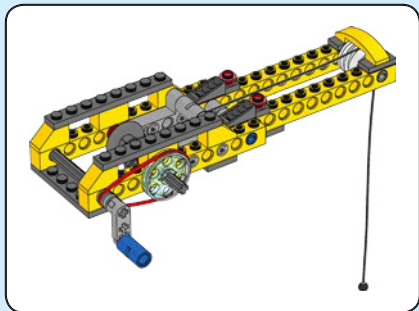
45810



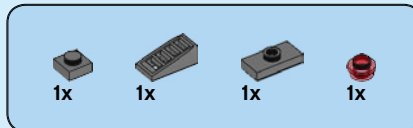
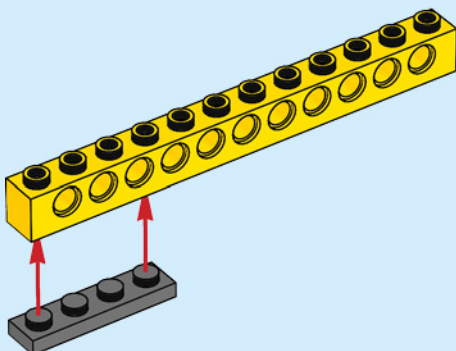
 **BOOMTOWN**  
**BUILD**



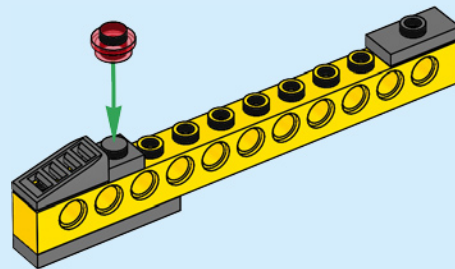
**WARNING:** CHOKING HAZARD.  
Toy contains small parts and a small ball.  
Not for children under 3 years.



1



2



**AVERTISSEMENT :**

**RISQUE D'ÉTOUFFEMENT.**

Le jouet contient des petites pièces ainsi qu'une petite boule.

Il ne convient pas aux enfants de moins de 3 ans.



**ADVERTENCIA:**

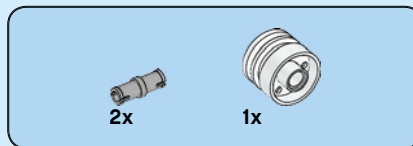
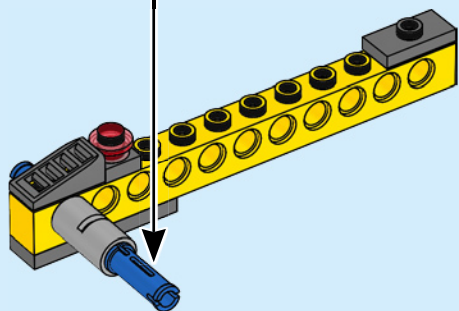
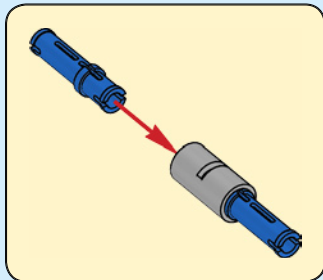
**PELIGRO DE ASFIXIA.**

Juguete que contiene partes pequeñas y una pelota pequeña.

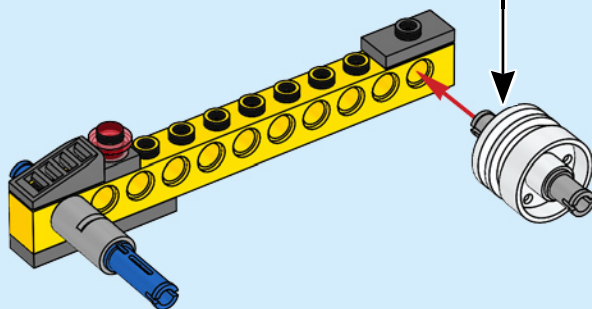
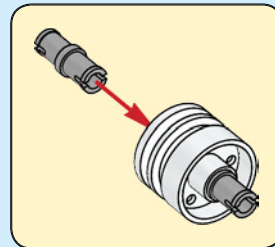
No recomendado para niños menores de 3 años.

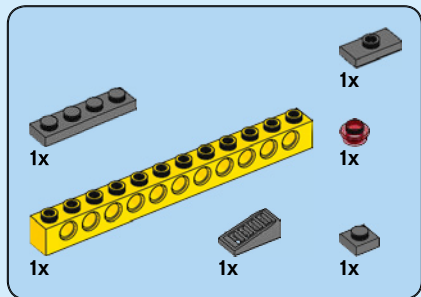


3

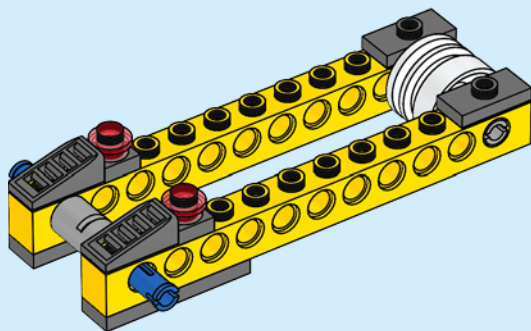
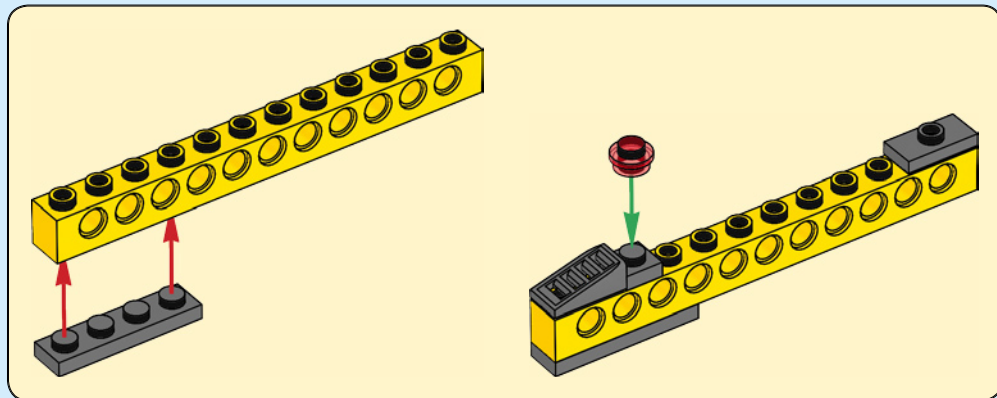


4

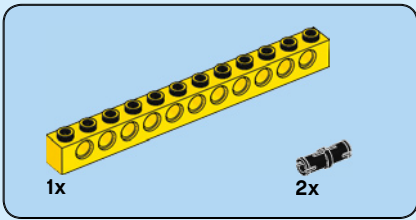




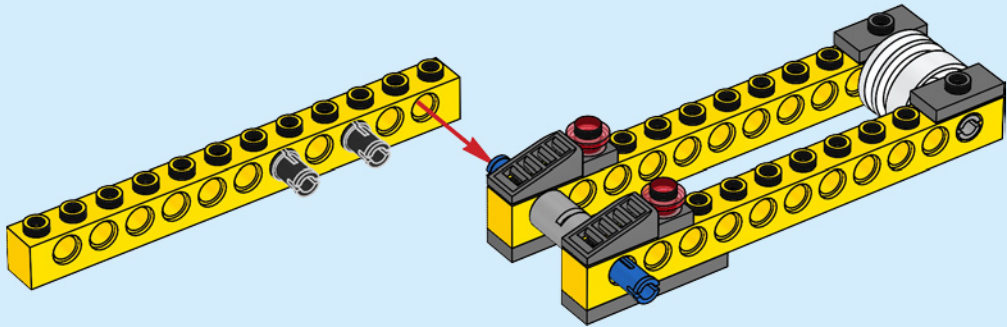
5

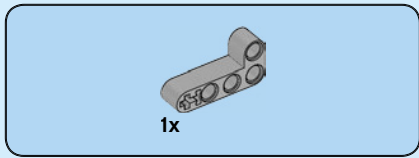


4

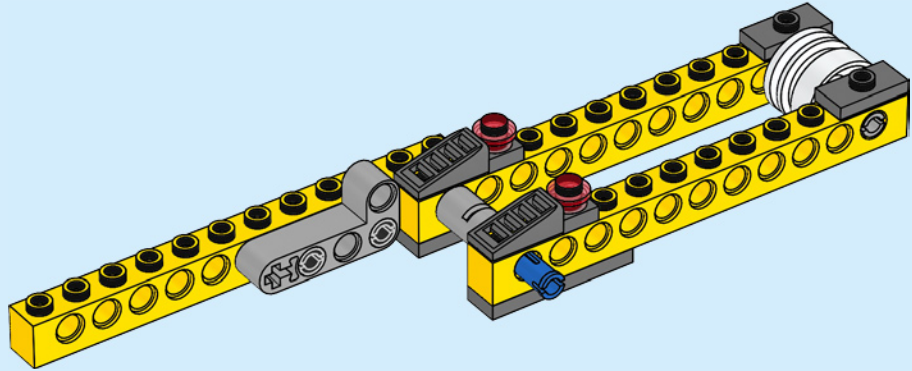


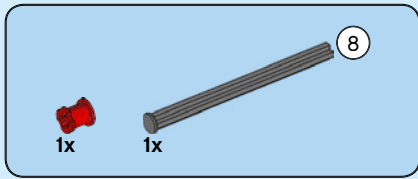
6



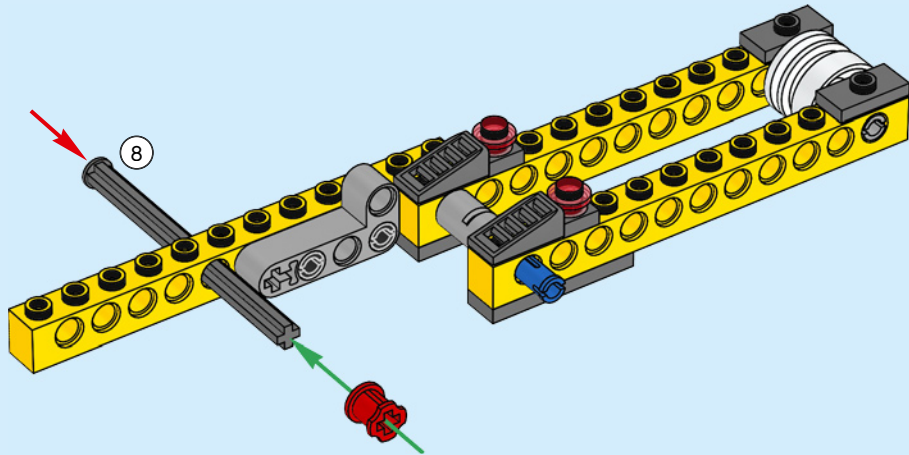


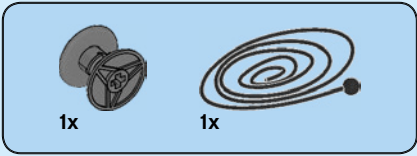
7



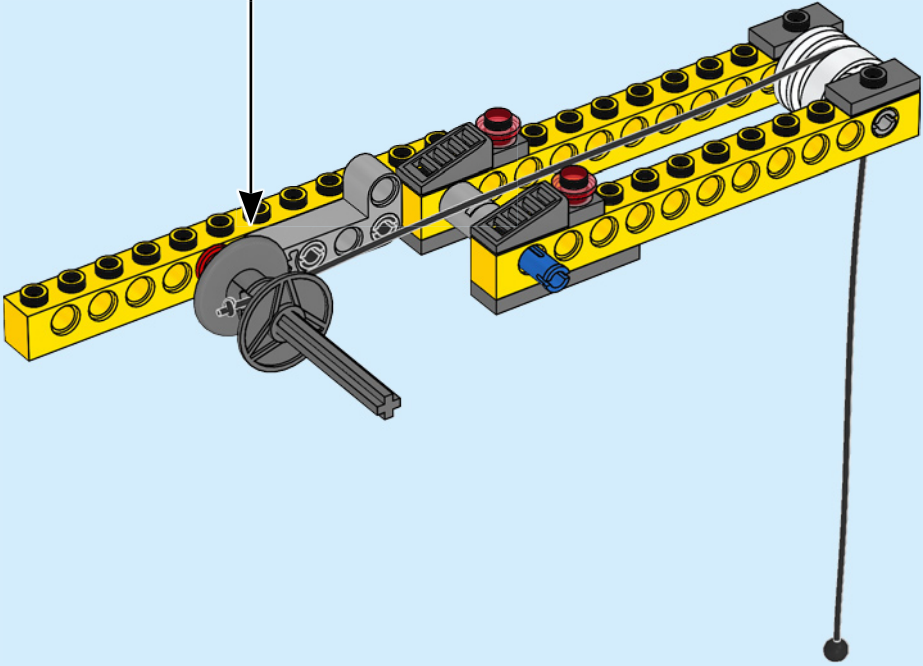
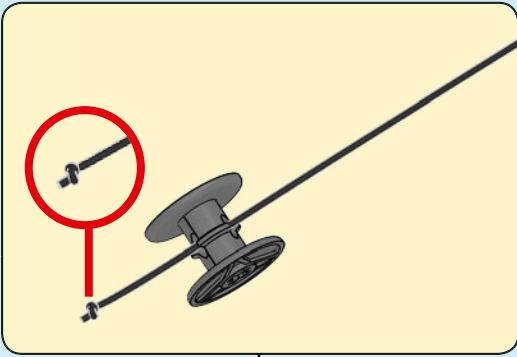


8





9





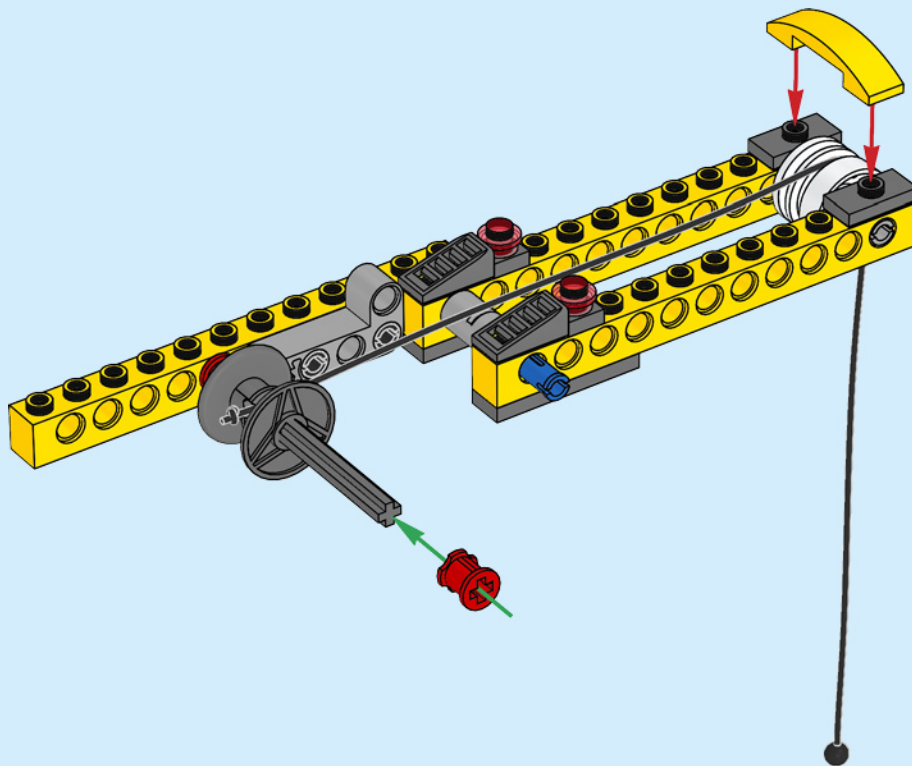


1x



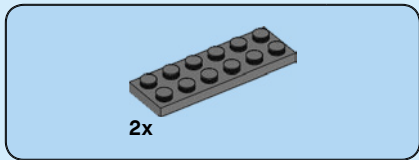
1x

10

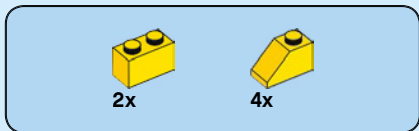
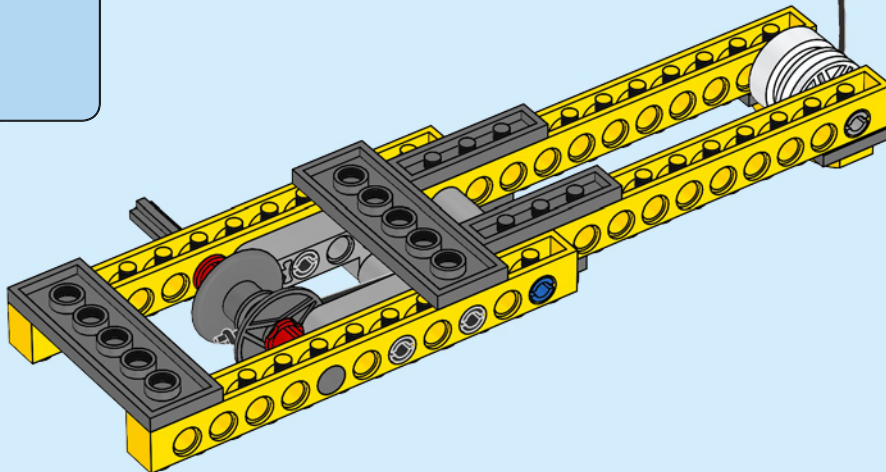




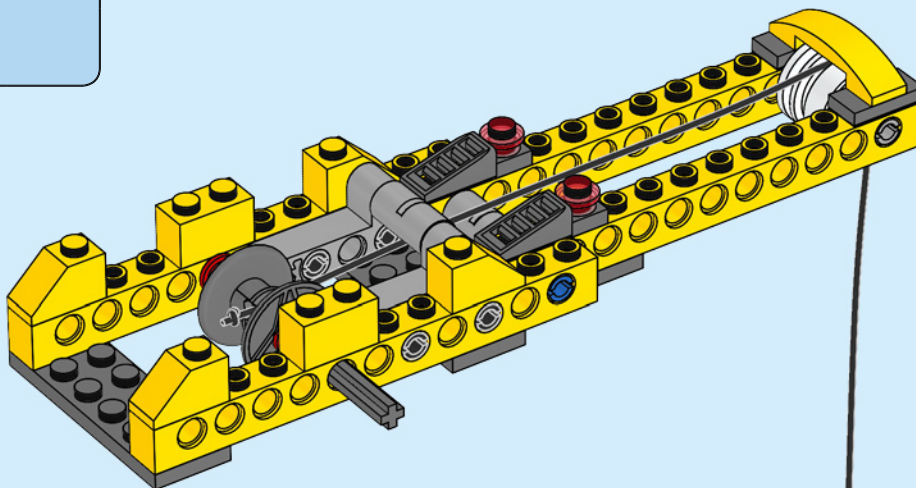


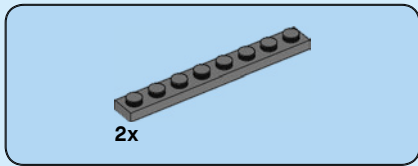


13

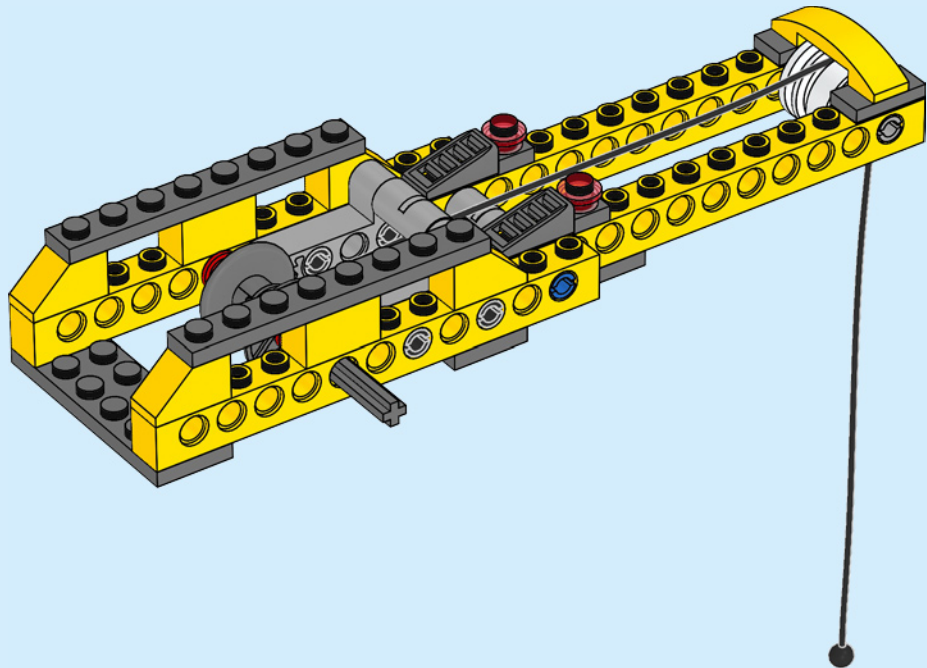


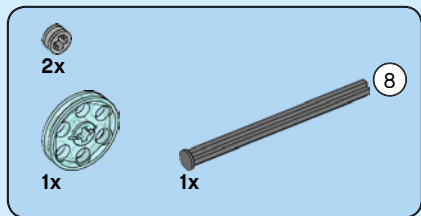
14



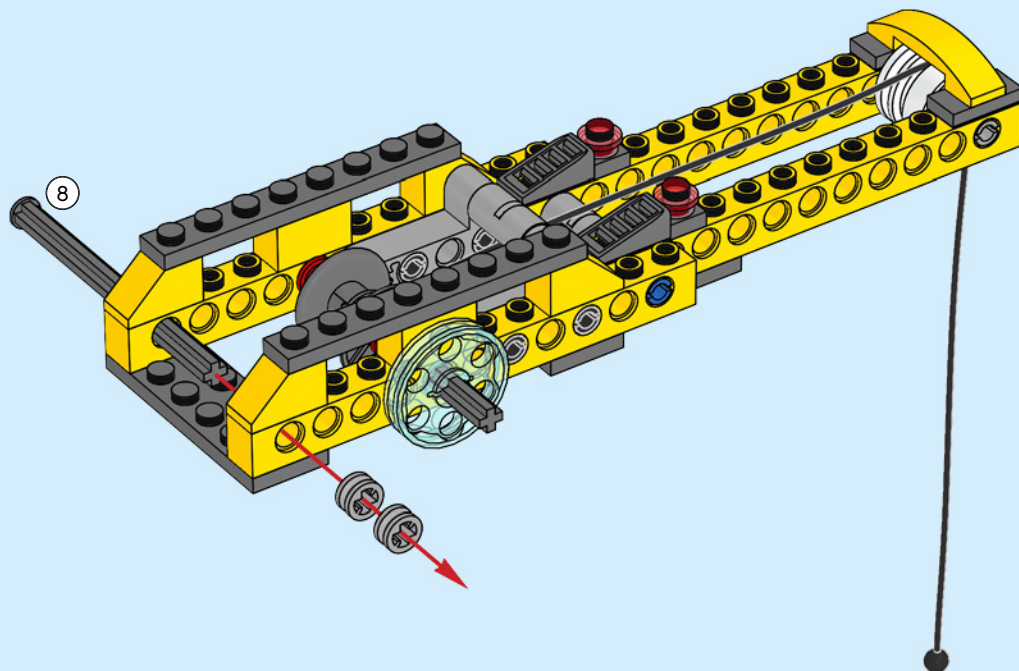


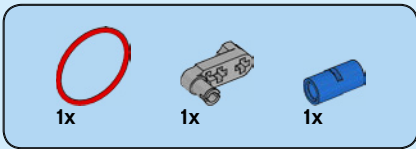
15



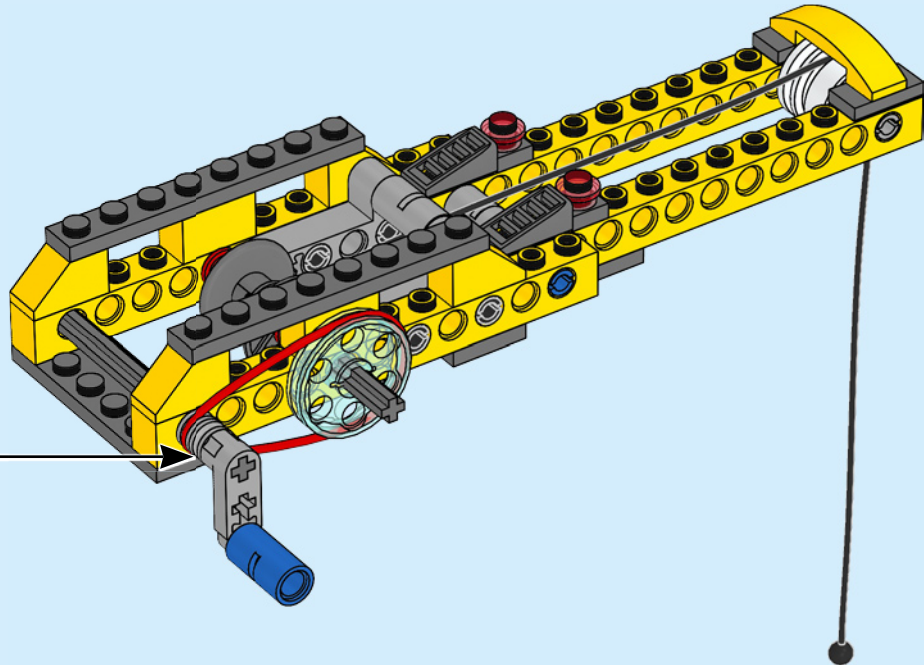
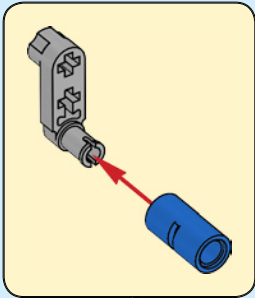


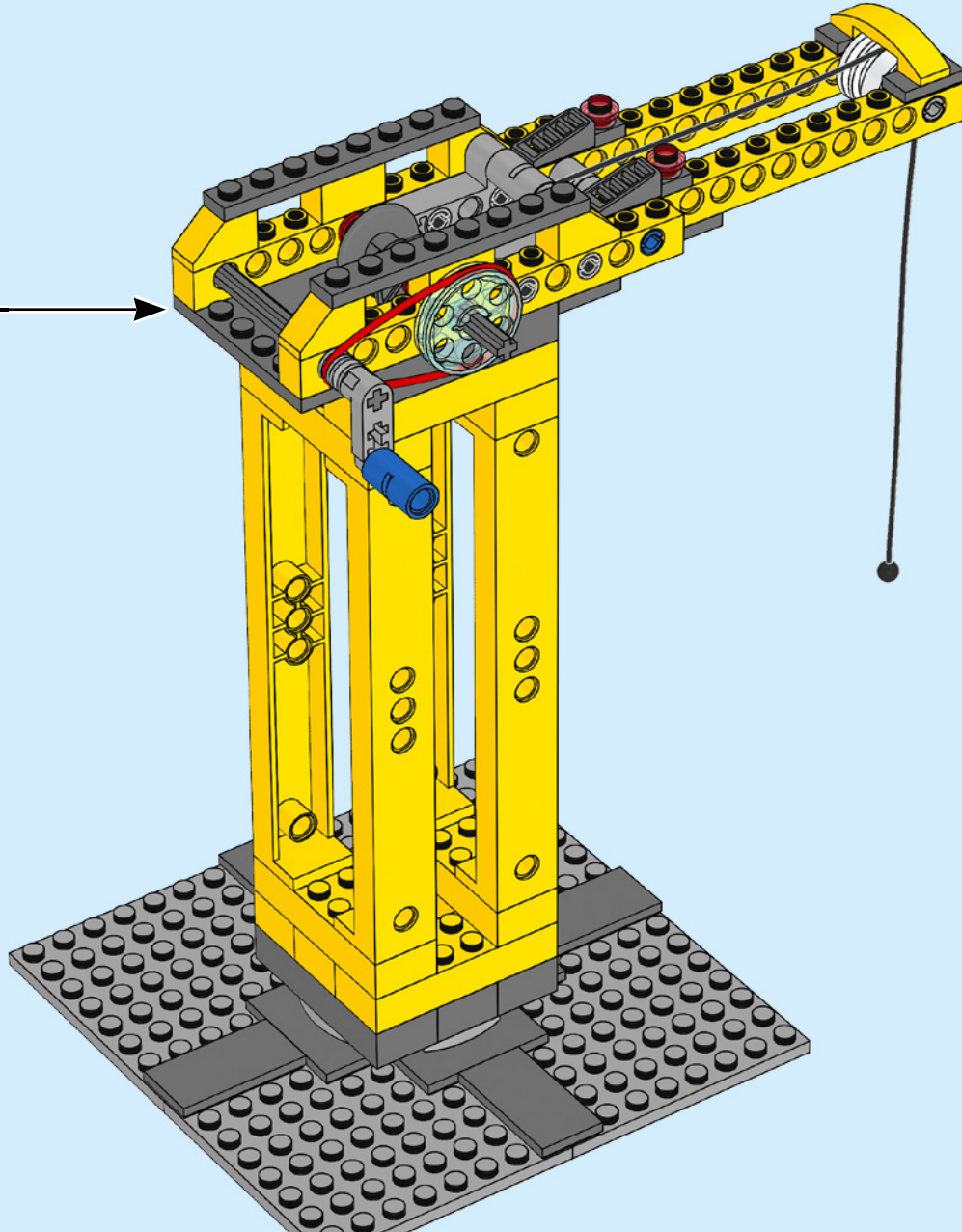
16





17





LEGO and the LEGO logo are trademarks of the/son des marques de commerce du/son marcas registradas de LEGO Group. ©2019 The LEGO Group. All rights reserved/Tous droits réservés/ Todos los derechos reservados.

FIRST® is a registered trademark of For Inspiration and Recognition of Science and Technology (FIRST). LEGO® is a registered trademark of the LEGO Group. FIRST® LEGO® League Jr. and BOOMTOWN BUILD™ are jointly held trademarks of FIRST and the LEGO Group.

©2019 FIRST and the LEGO Group. All rights reserved. 6289518