

**MEGA
BLOKS**

CAT

2

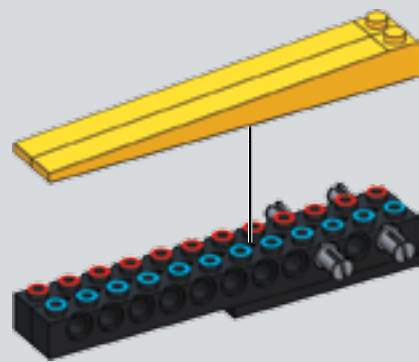
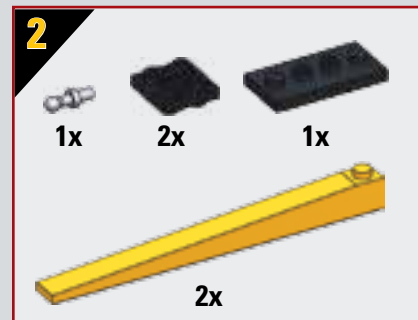
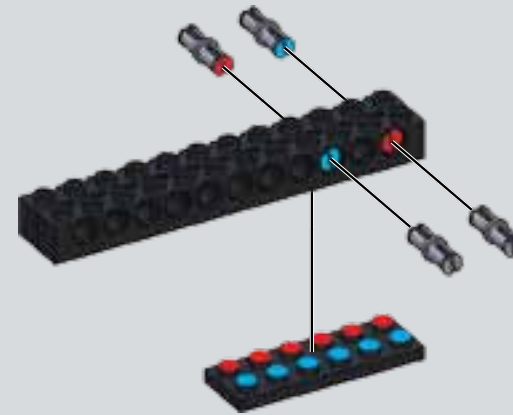
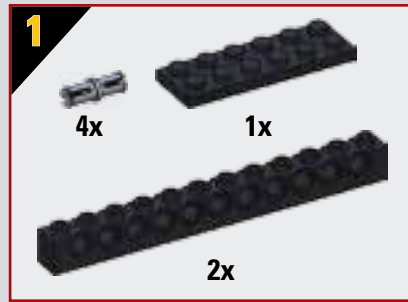
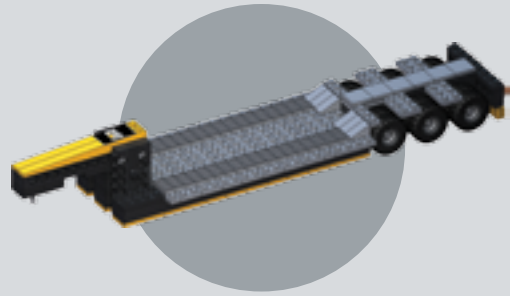


Includes: 3 machines, 4 figures and 4 tools
Incluye: 3 máquinas, 4 figuras y 4 herramientas
Inclus: 3 machines, 4 figurines et 4 outils
Enthält: 3 Maschinen, 4 Figuren und 4 Werkzeuge
Bevat: 3 machines, 4 figuren en 4 stuks gereedschap
Comprende: 3 macchine, 4 personaggi, 4 attrezzi
Inclui: 3 máquinas, 4 figuras e 4 ferramentas

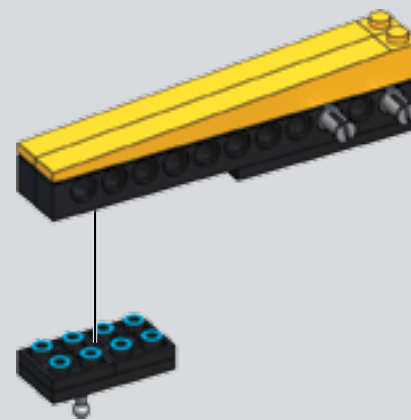


97800

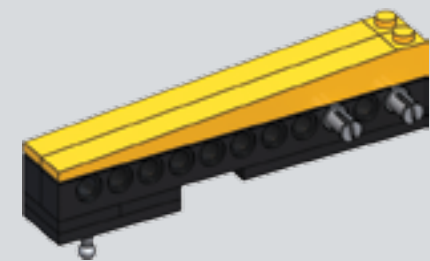
**Heavy-Duty Transporter • Transportador de carga pesada • Transporteur de charges lourdes
Schwerlasttransporter • Wagen voor zwaar transport • Transportatore di carichi pesanti • Transportador de carga pesada**



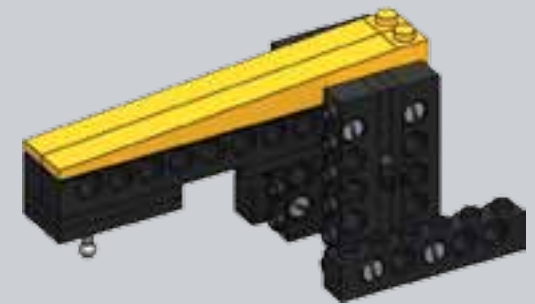
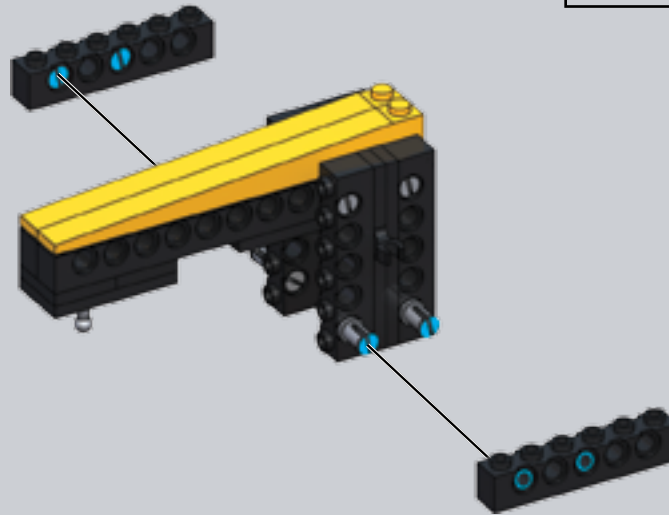
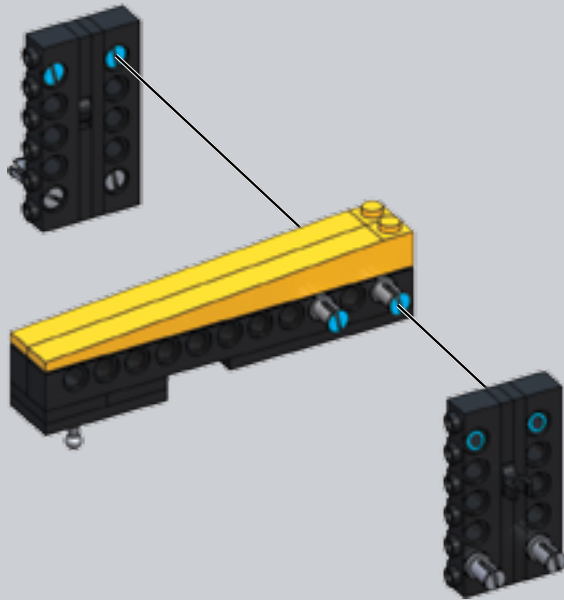
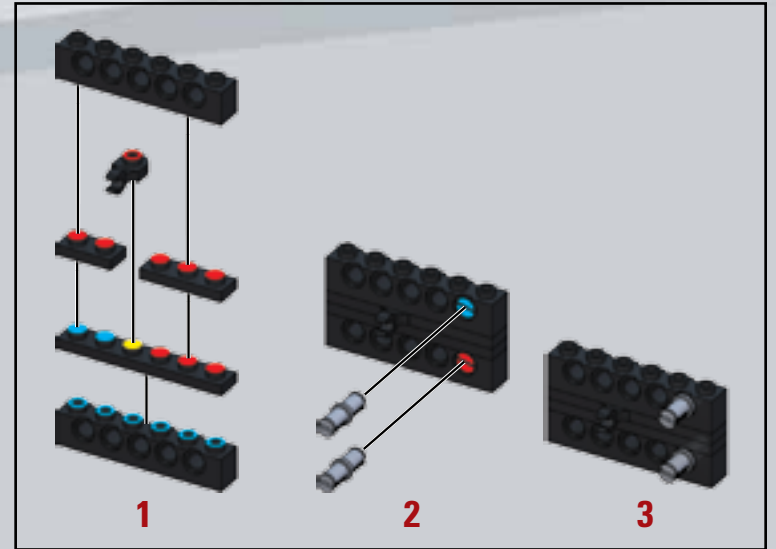
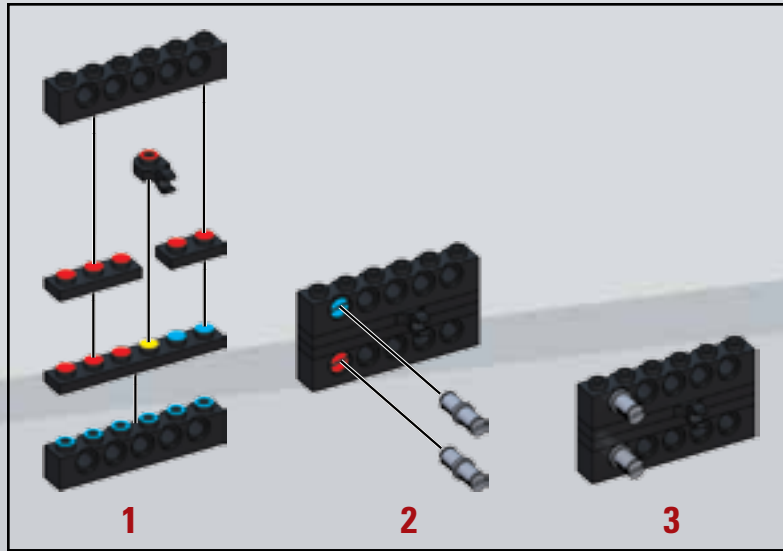
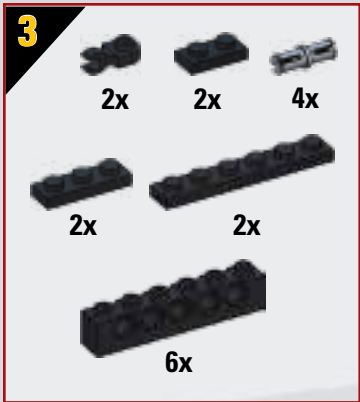
1



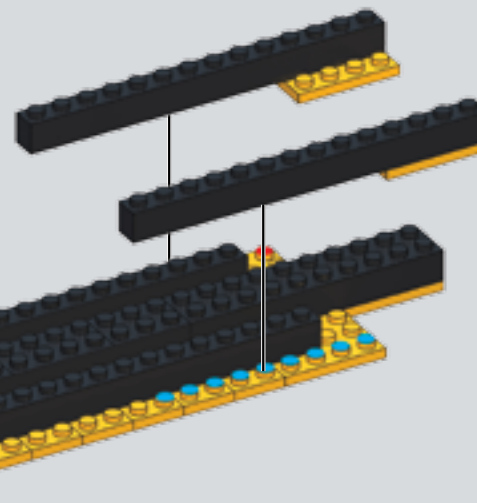
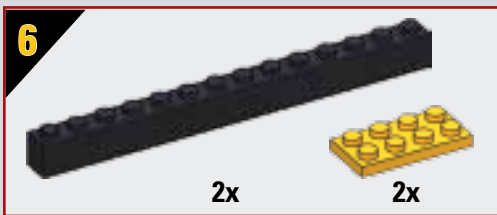
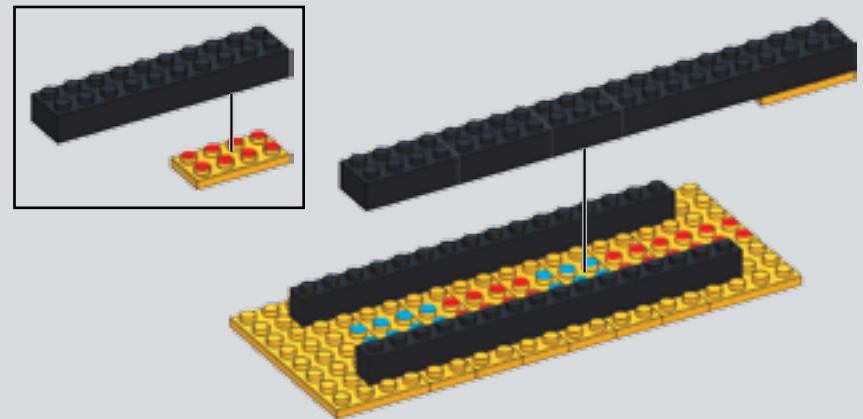
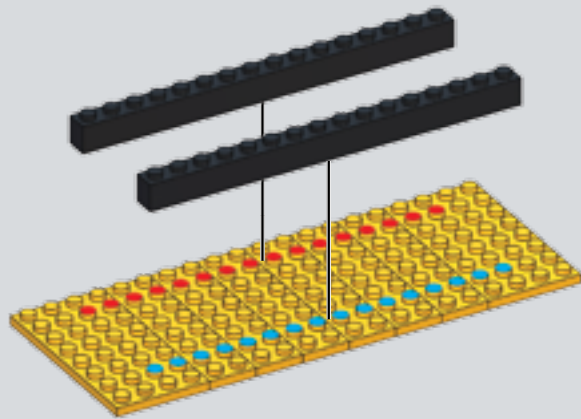
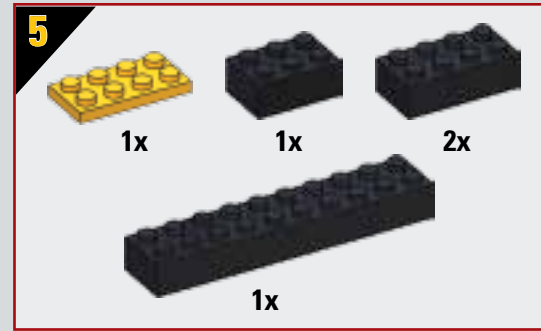
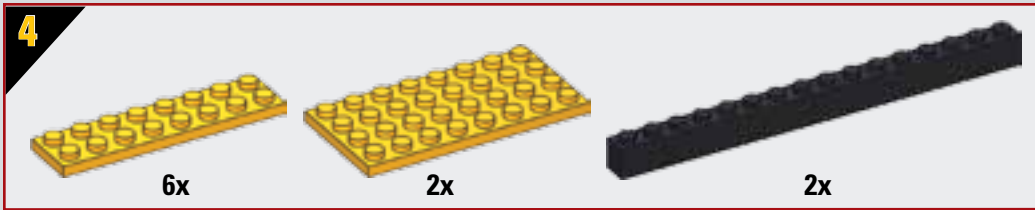
2

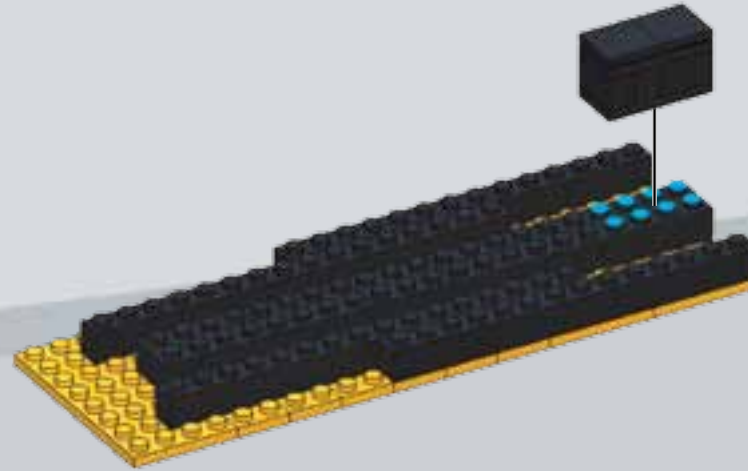
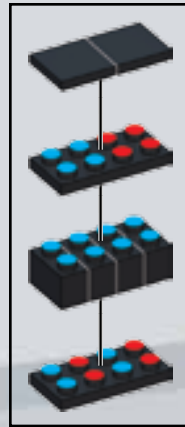
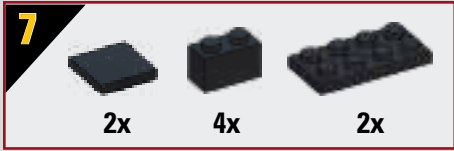


3

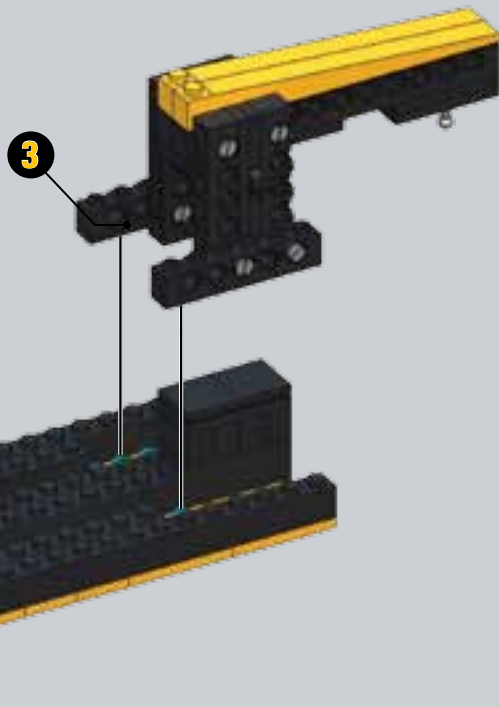


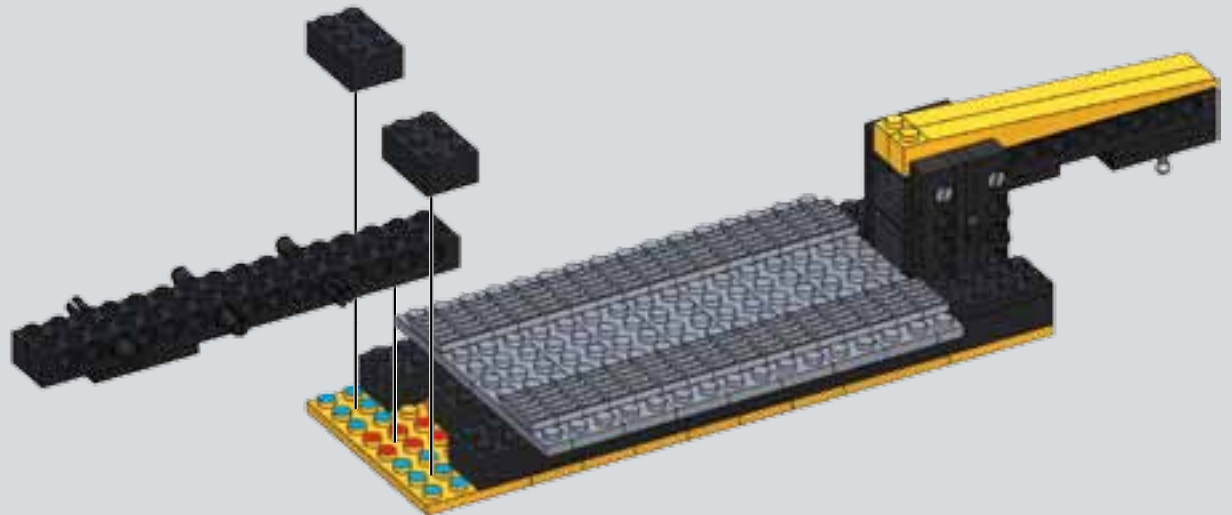
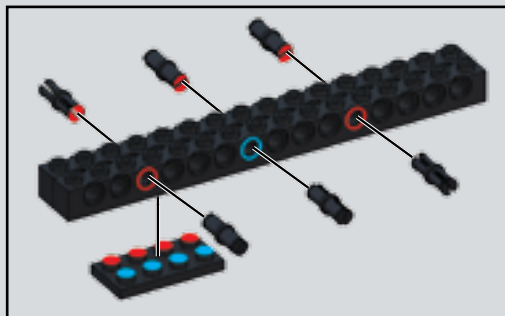
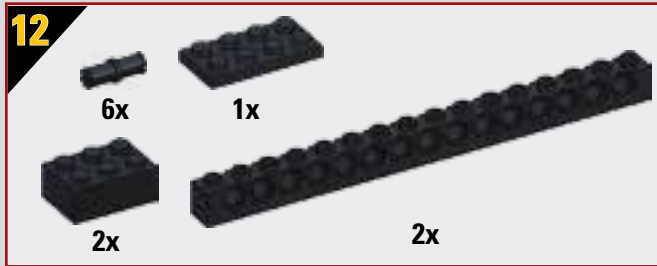
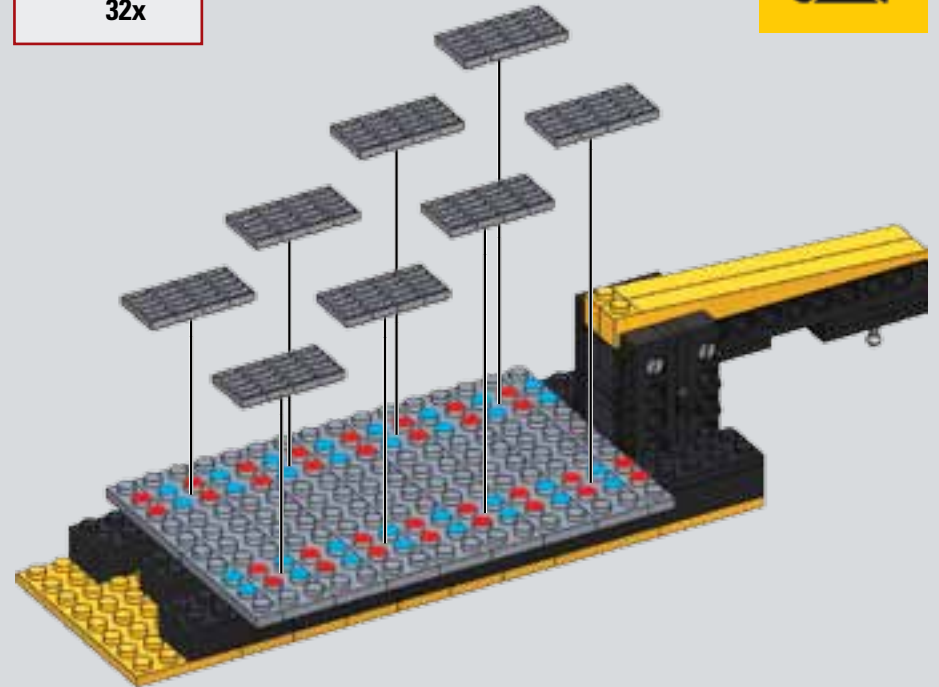
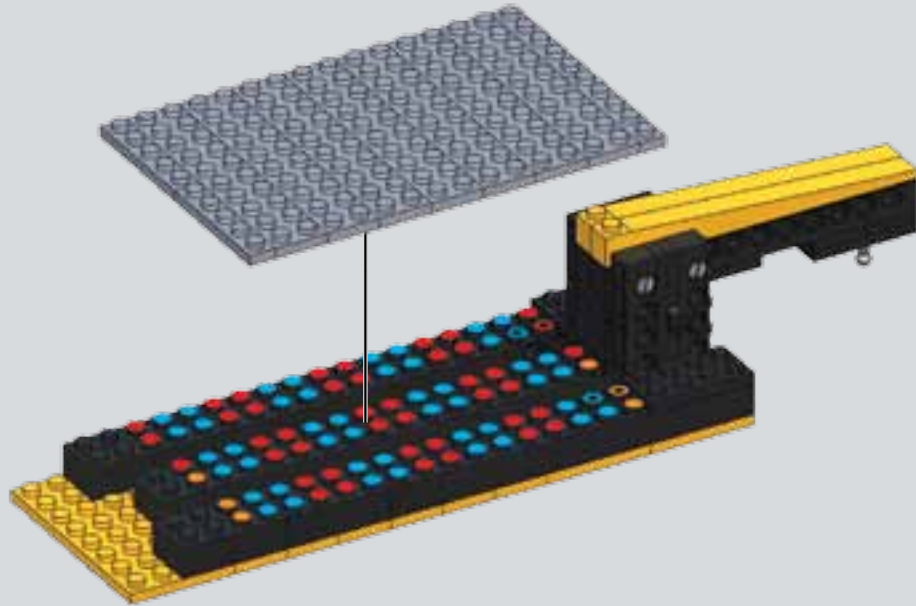
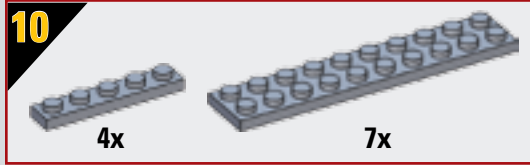
3

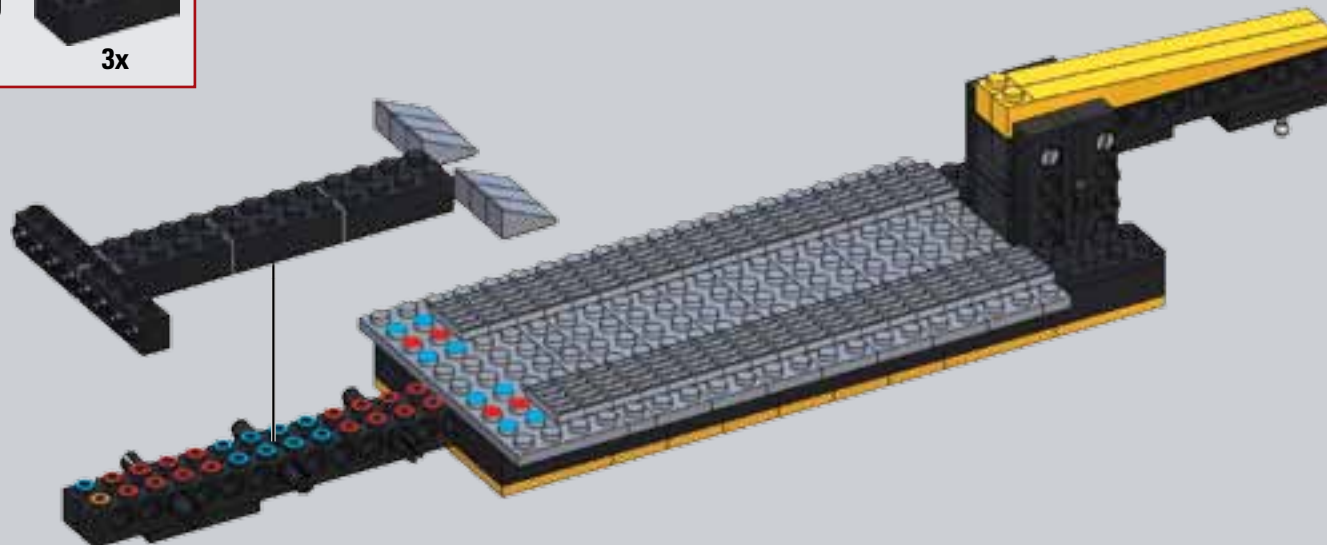
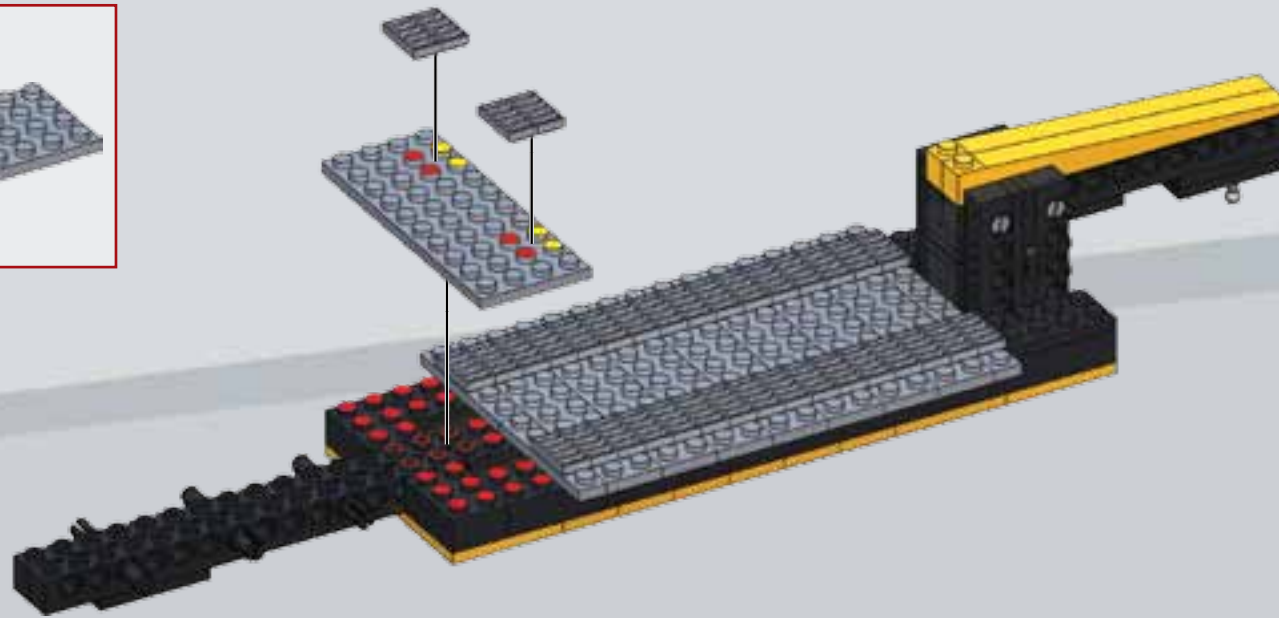
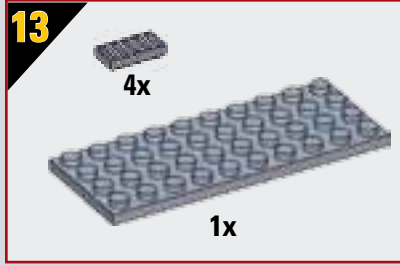




8

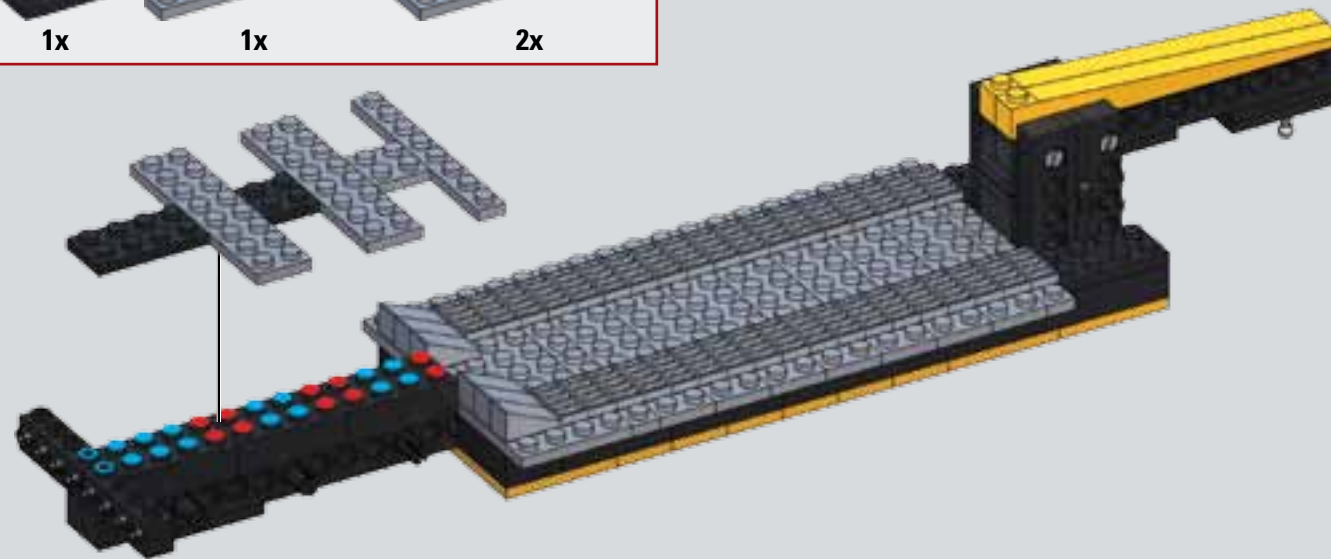
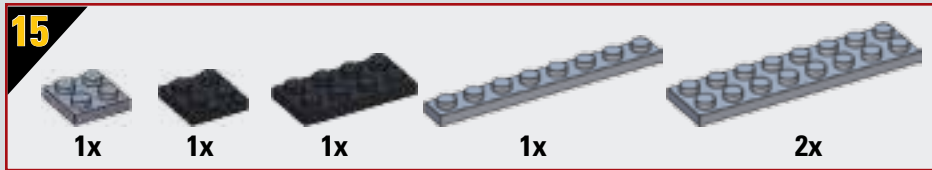




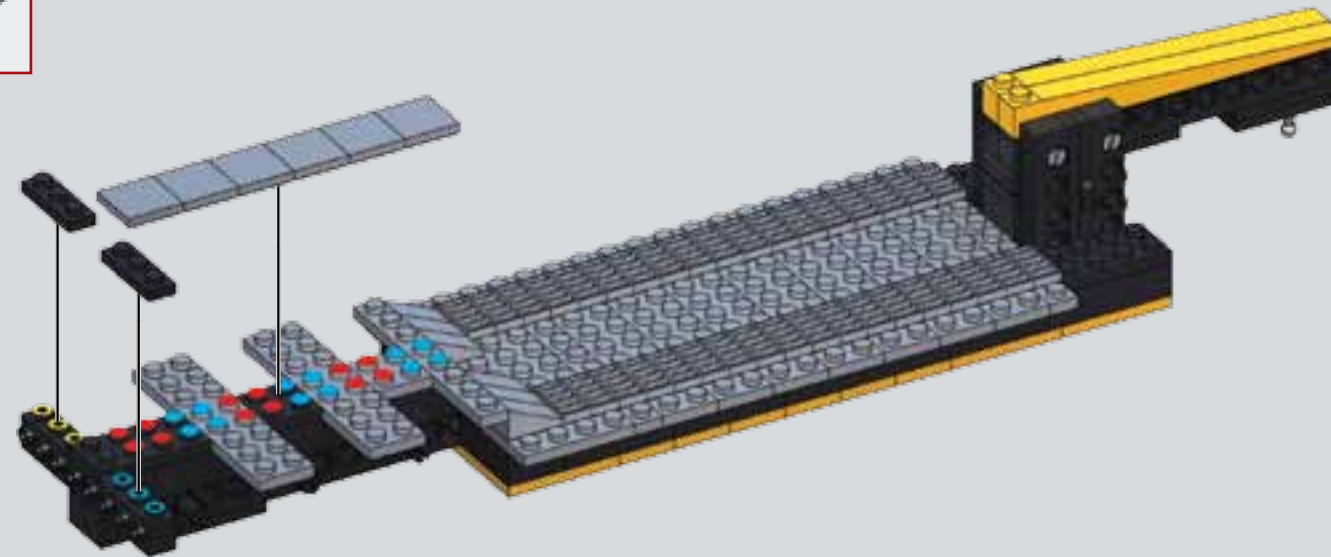




15

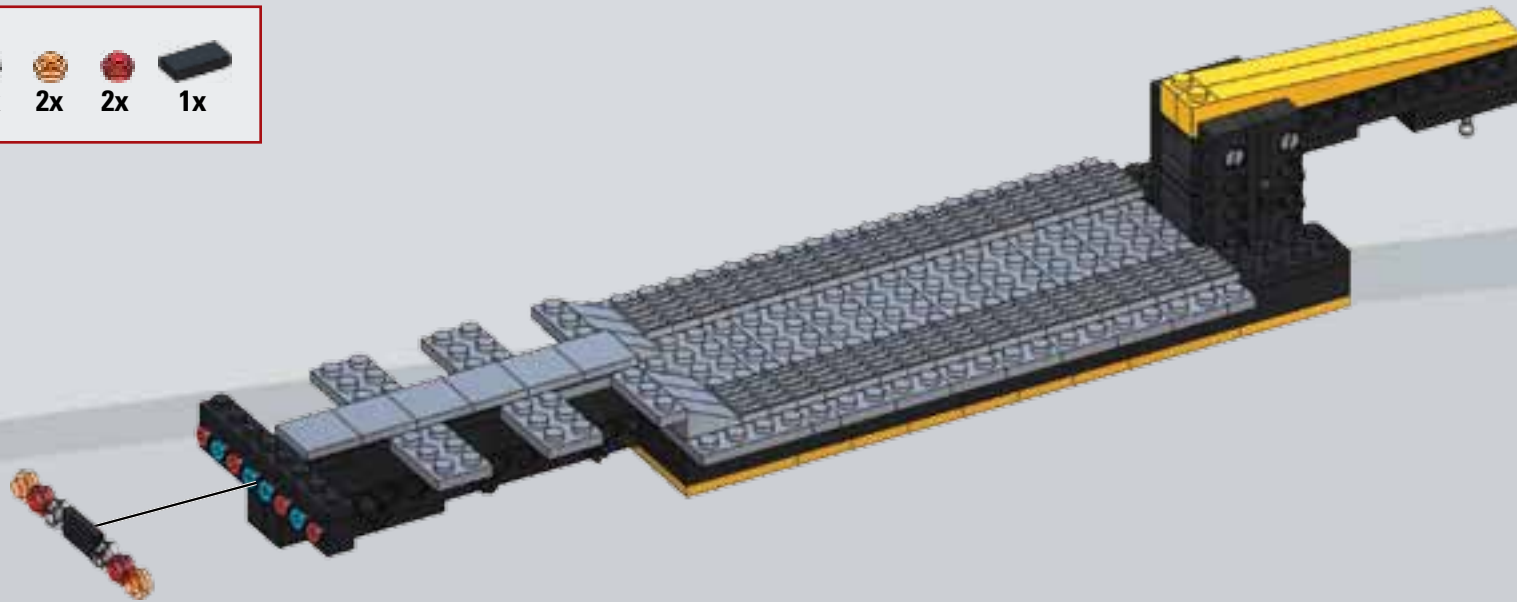


16

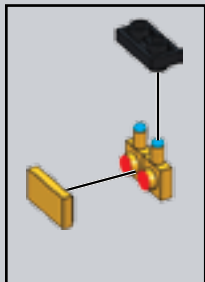
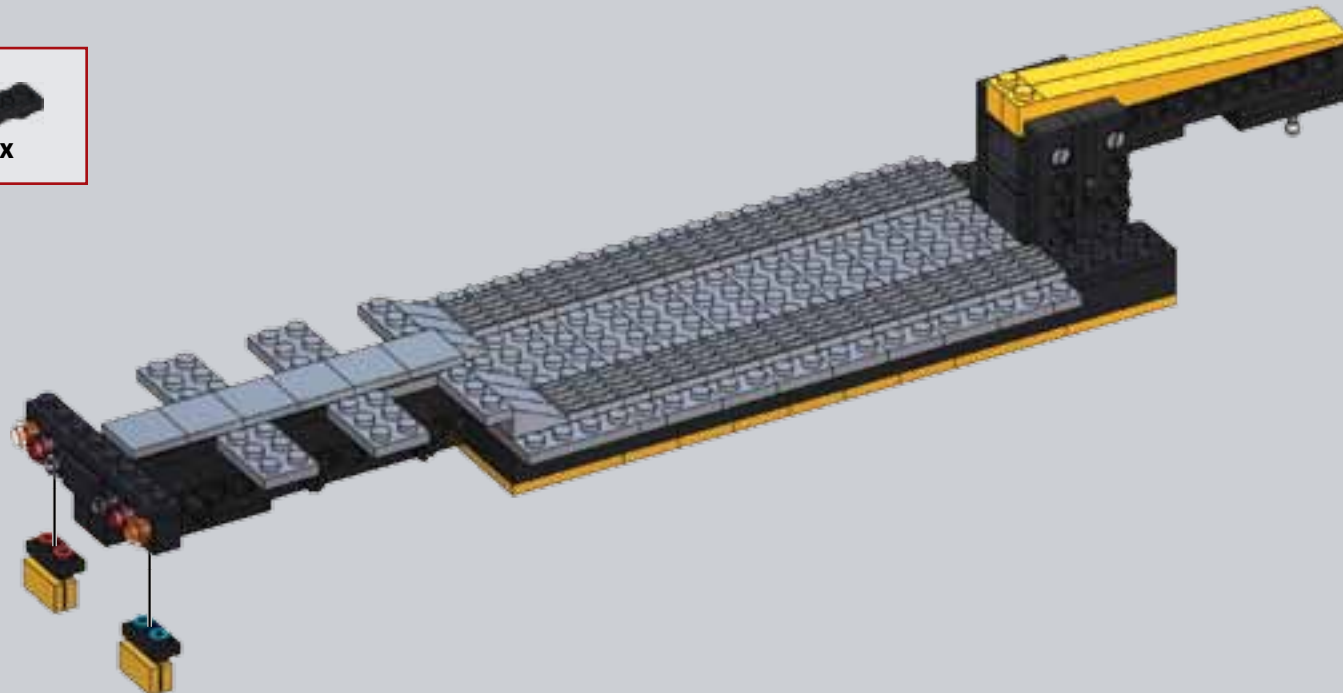




17

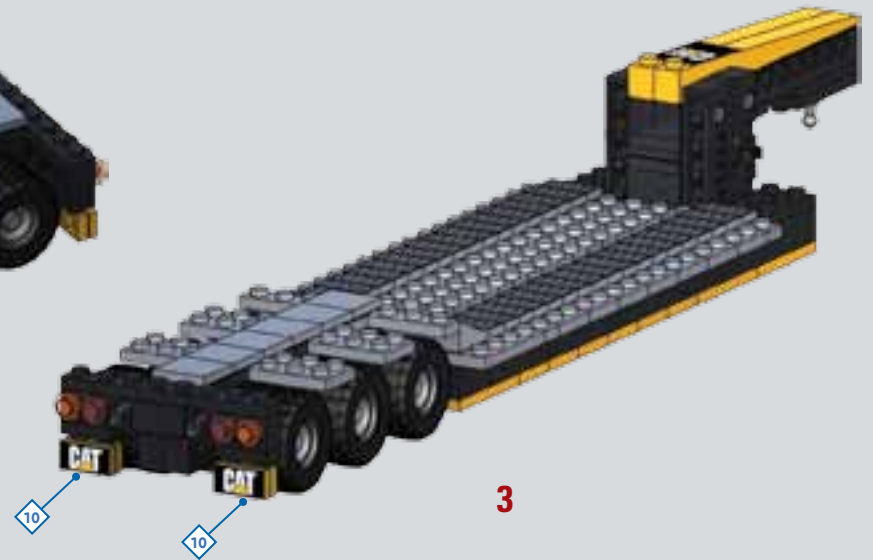
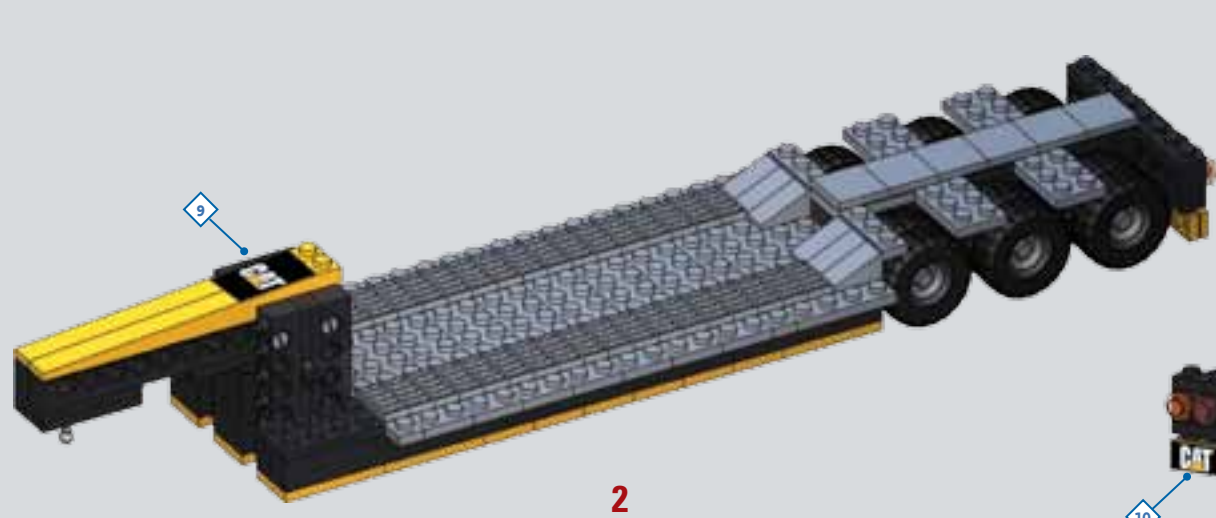
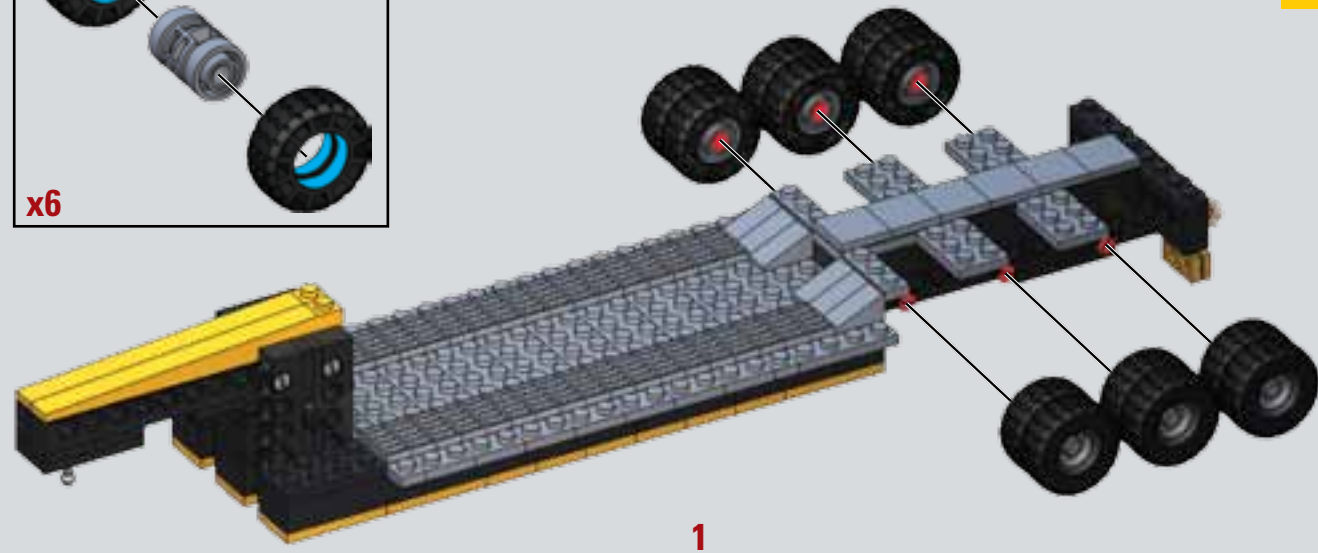
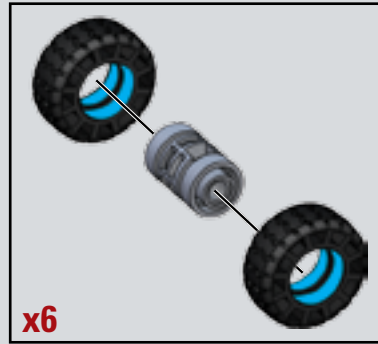


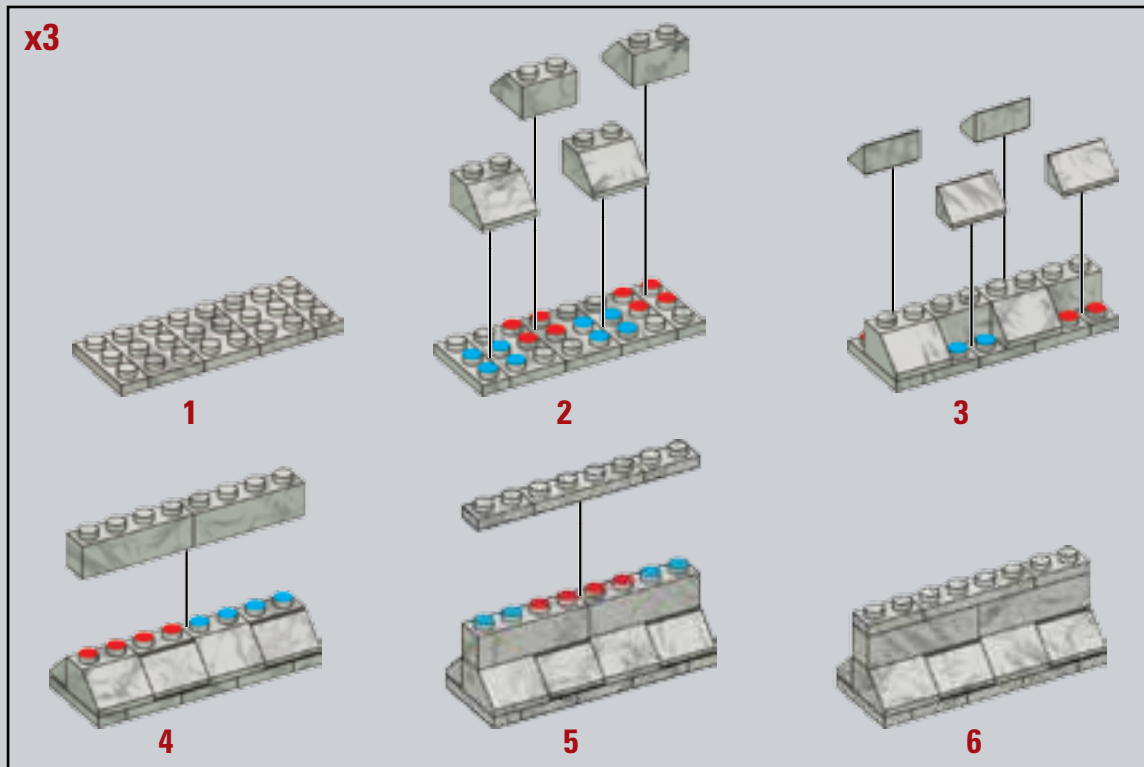
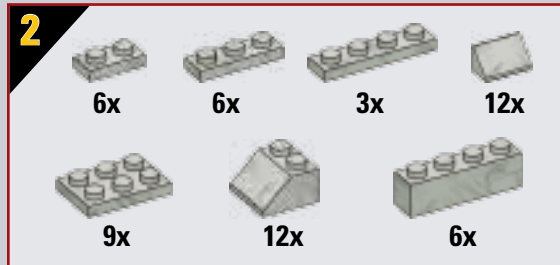
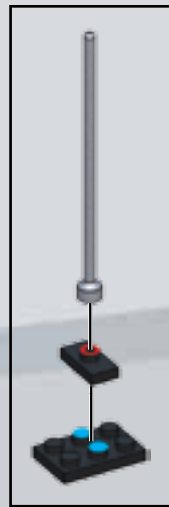
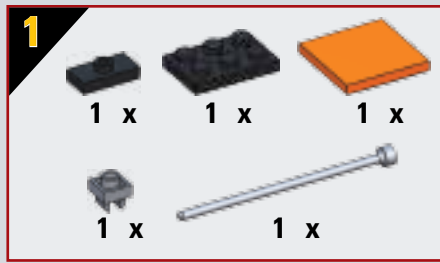
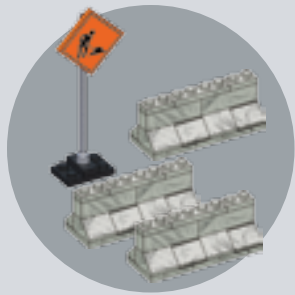
18

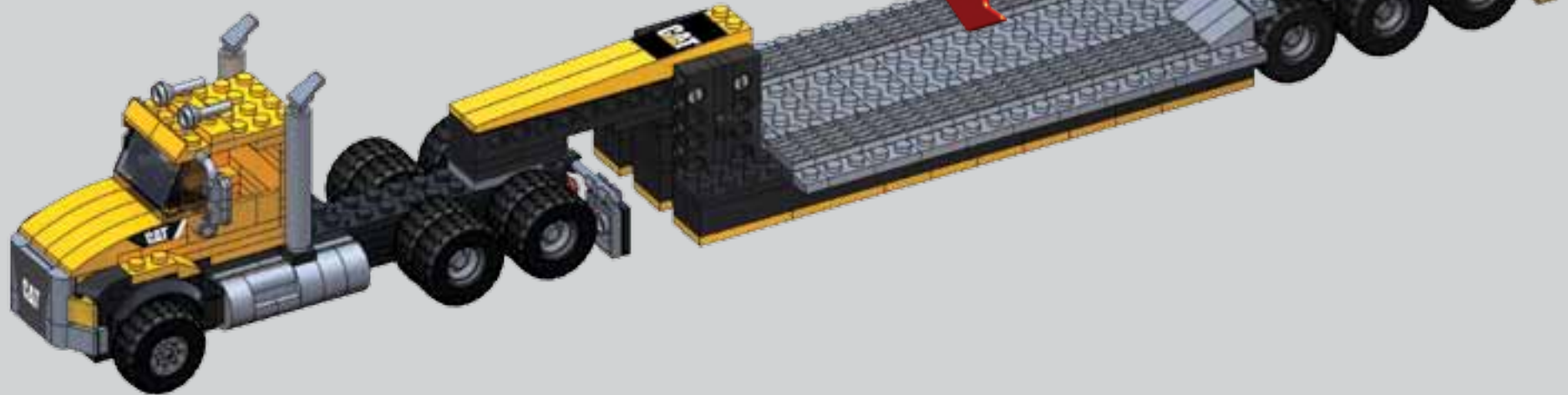
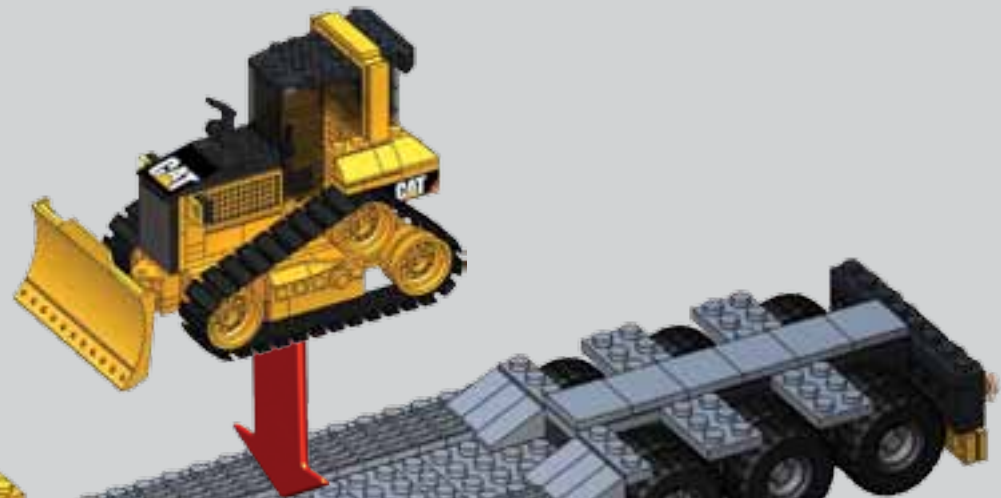


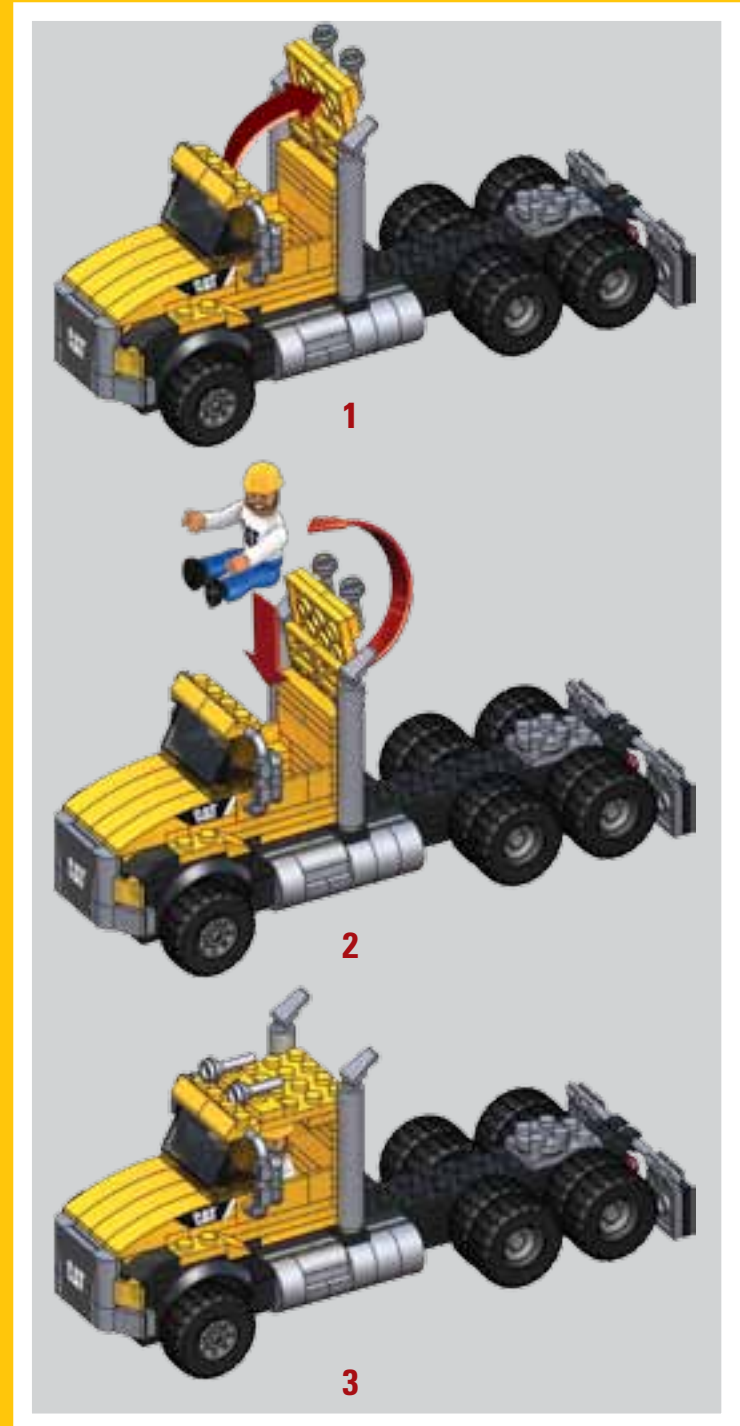


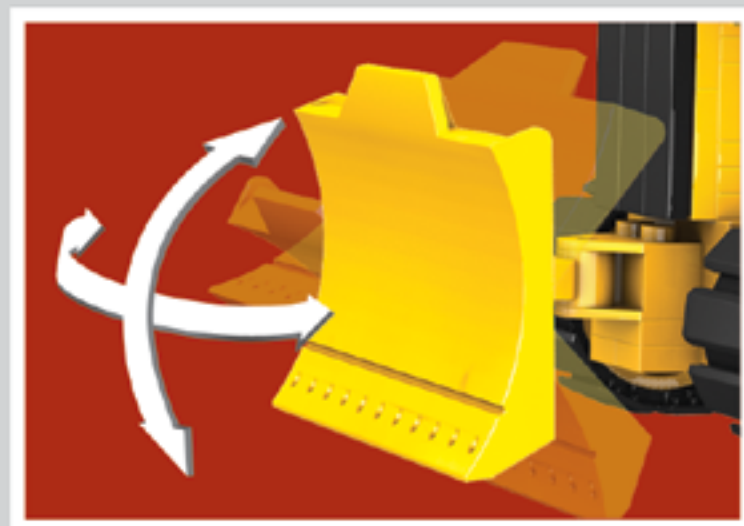
9 10















Collect them all! / ¡Colecciónalos todos! / Collectionne-les tous!
 Alle sammeln! / Verzamel ze allemaal! / Collezione tutti! / Colecciónalos todos!

97801

97805



© 2013, MEGA Brands Inc.
 ® and ™ denote trademarks of MEGA Brands Inc.
 Printed in Canada D978002



© 2013 Caterpillar
 CAT, CATERPILLAR, their respective logos,
 "Caterpillar Yellow" and the "Power Edge" trade
 dress, as well as corporate and product identity
 used herein, are trademarks of Caterpillar and
 may not be used without permission.
 Mega Brands, a licensee of Caterpillar Inc.

www.cat.com www.caterpillar.com