



# RACERS

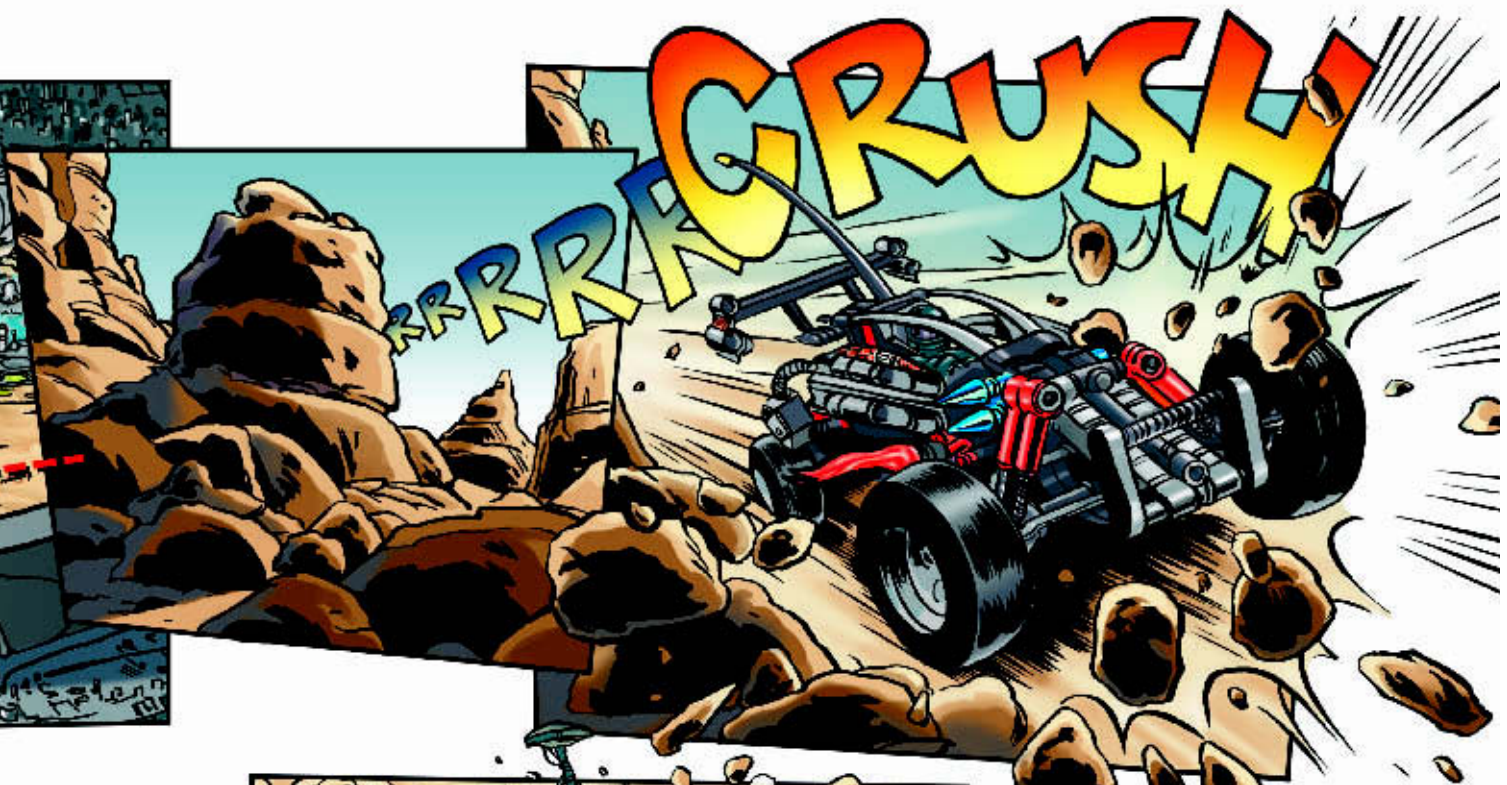
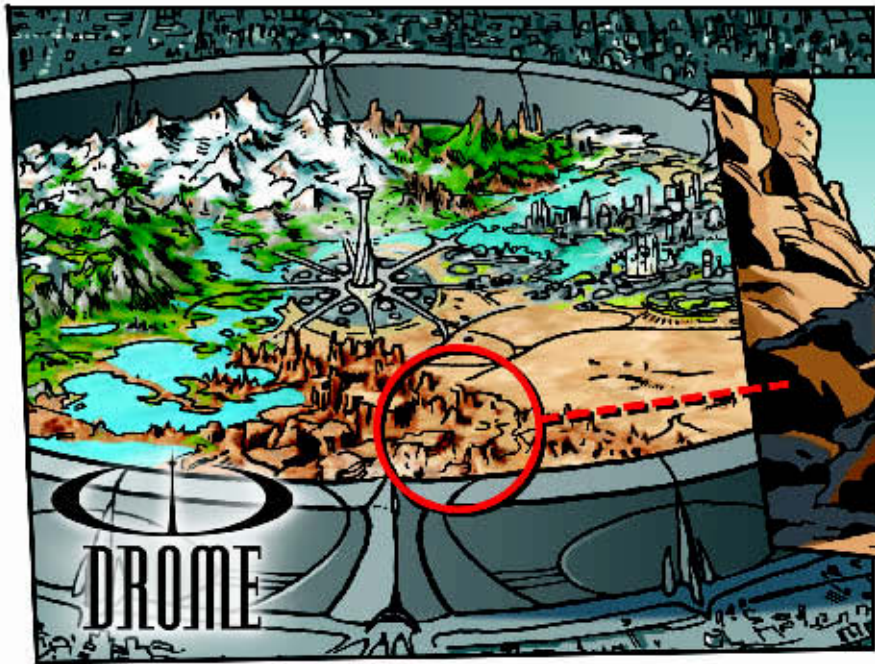
8475

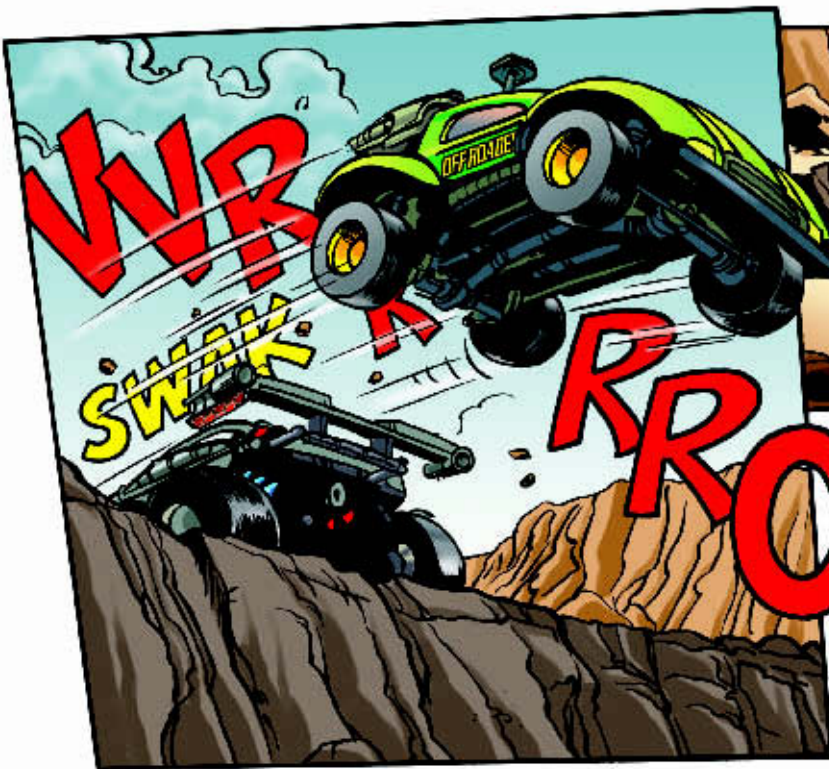
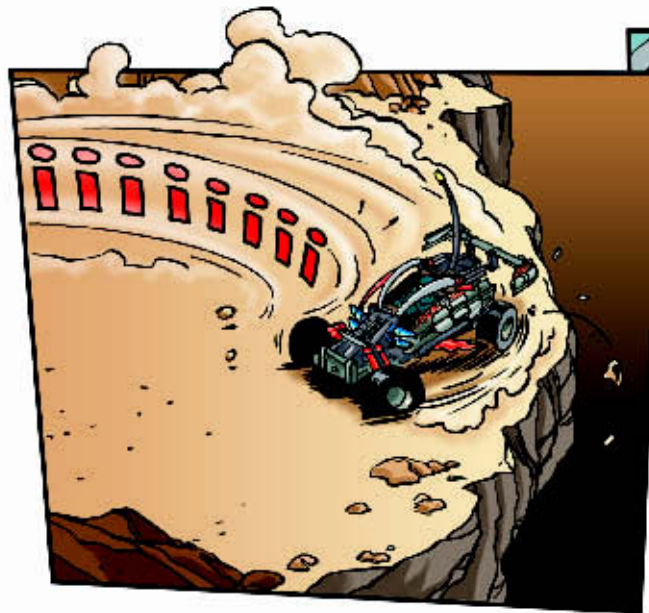


# RC

RADIO CONTROL

*RC Race Buggy*





RRROA

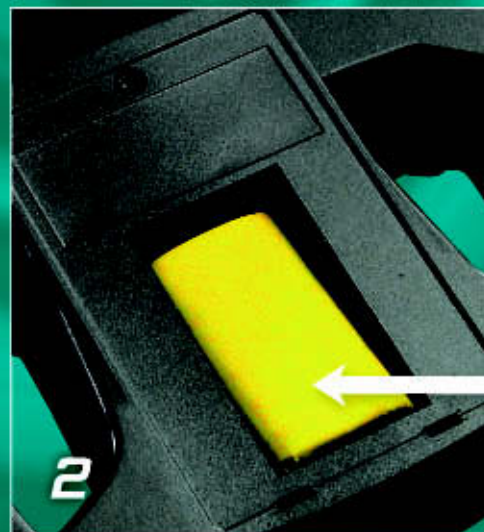
VRRR

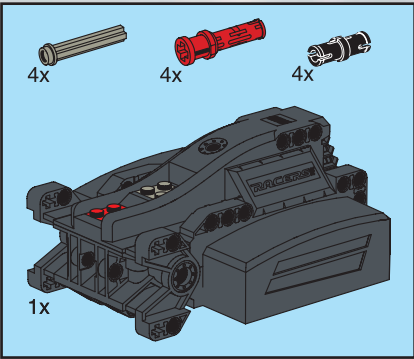
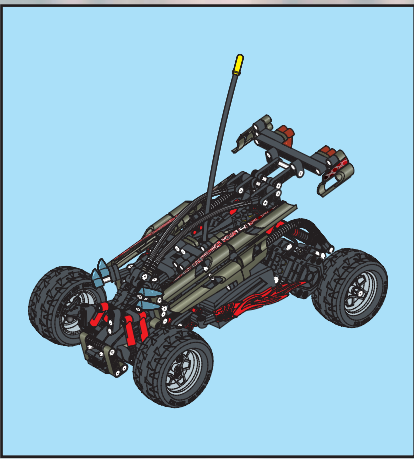


6x

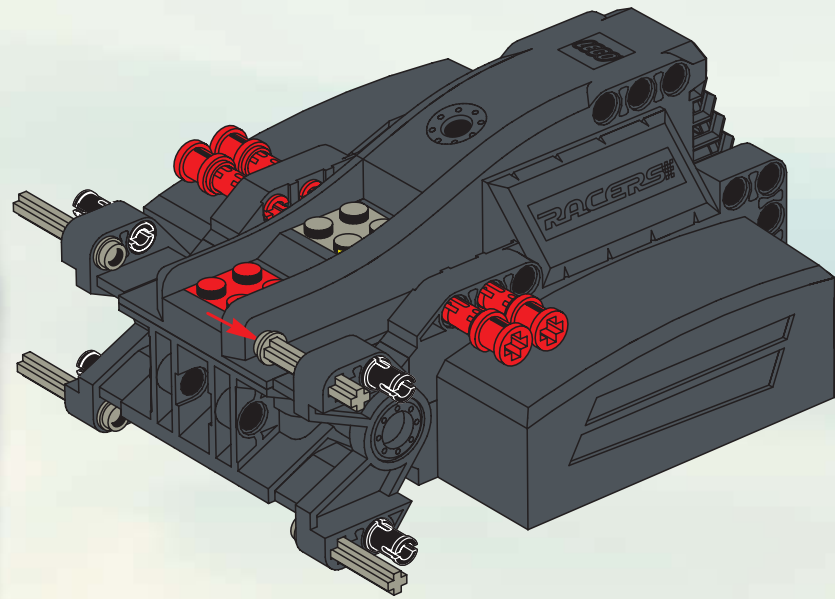


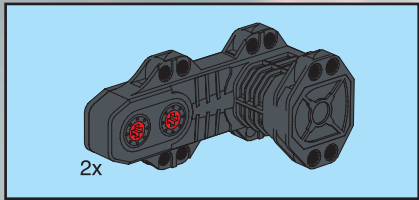
1x



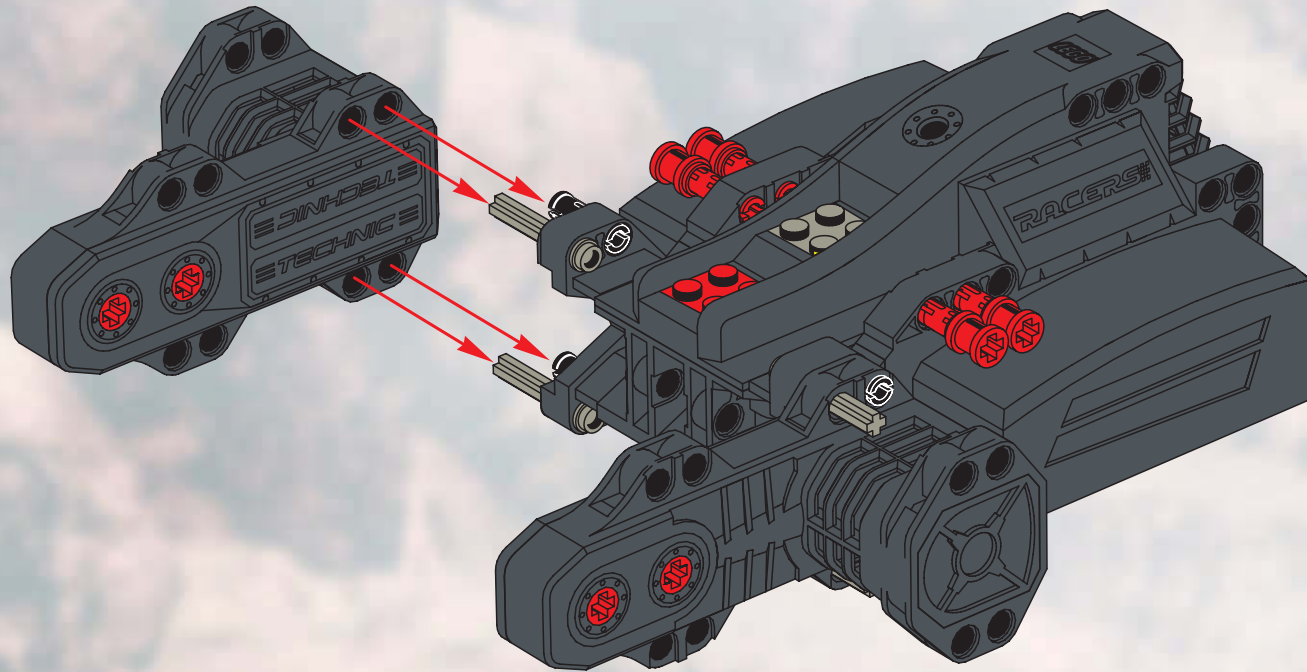


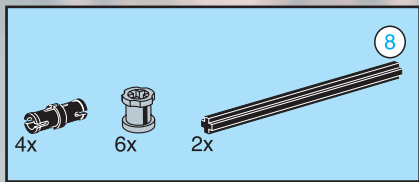
1



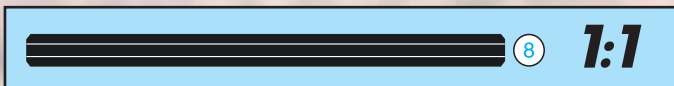
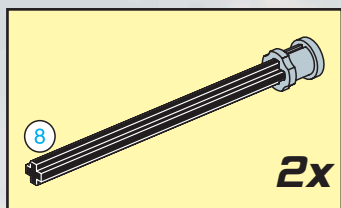
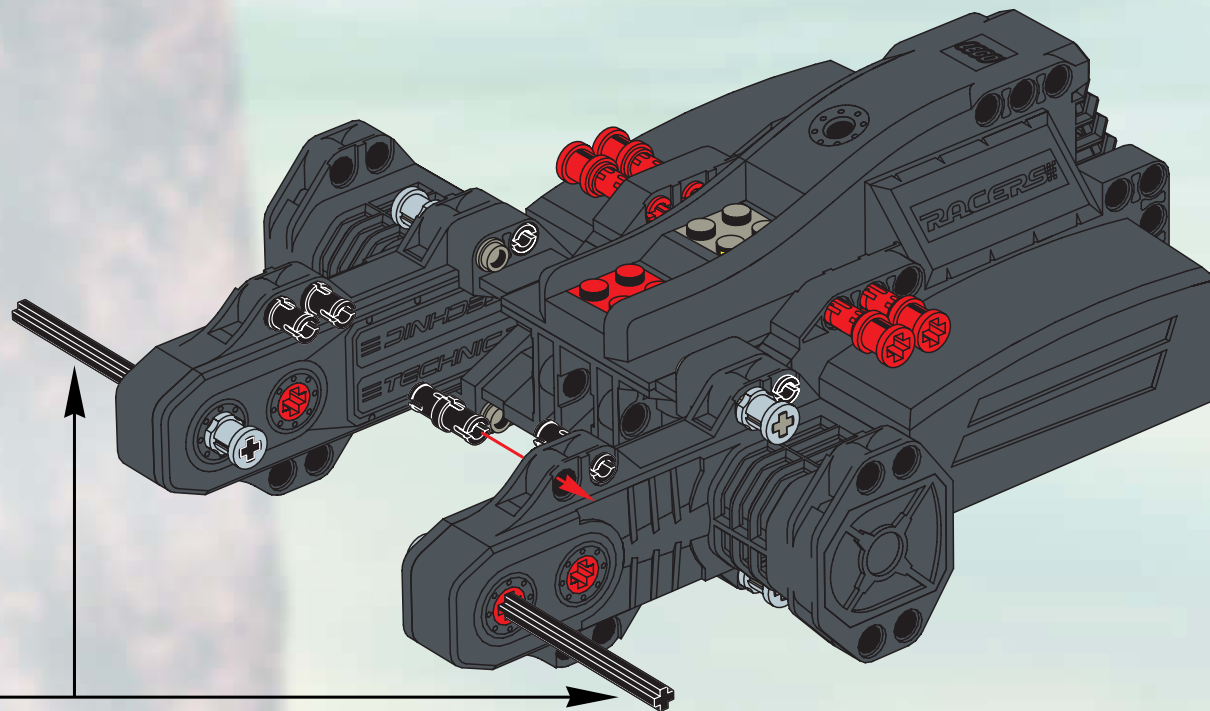


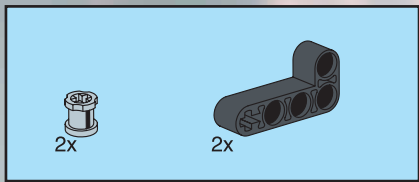
2



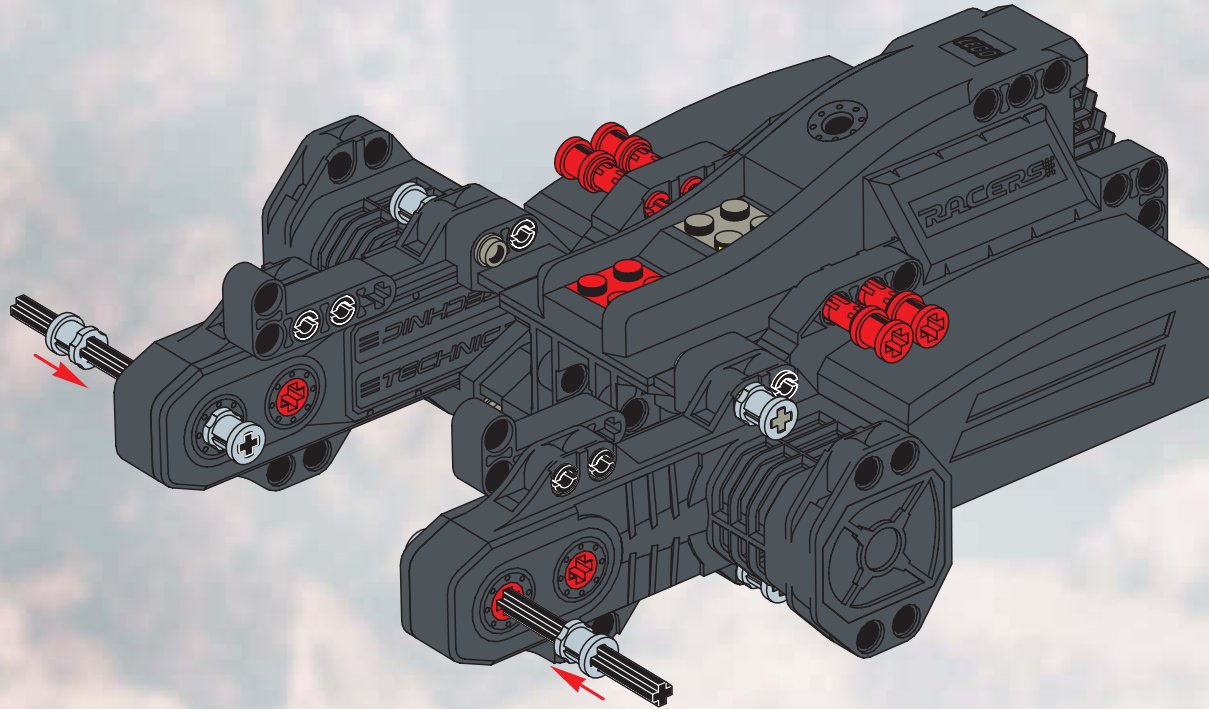


3

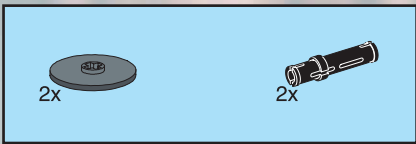




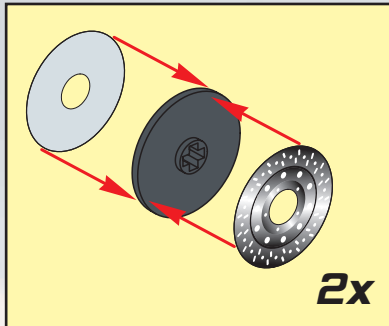
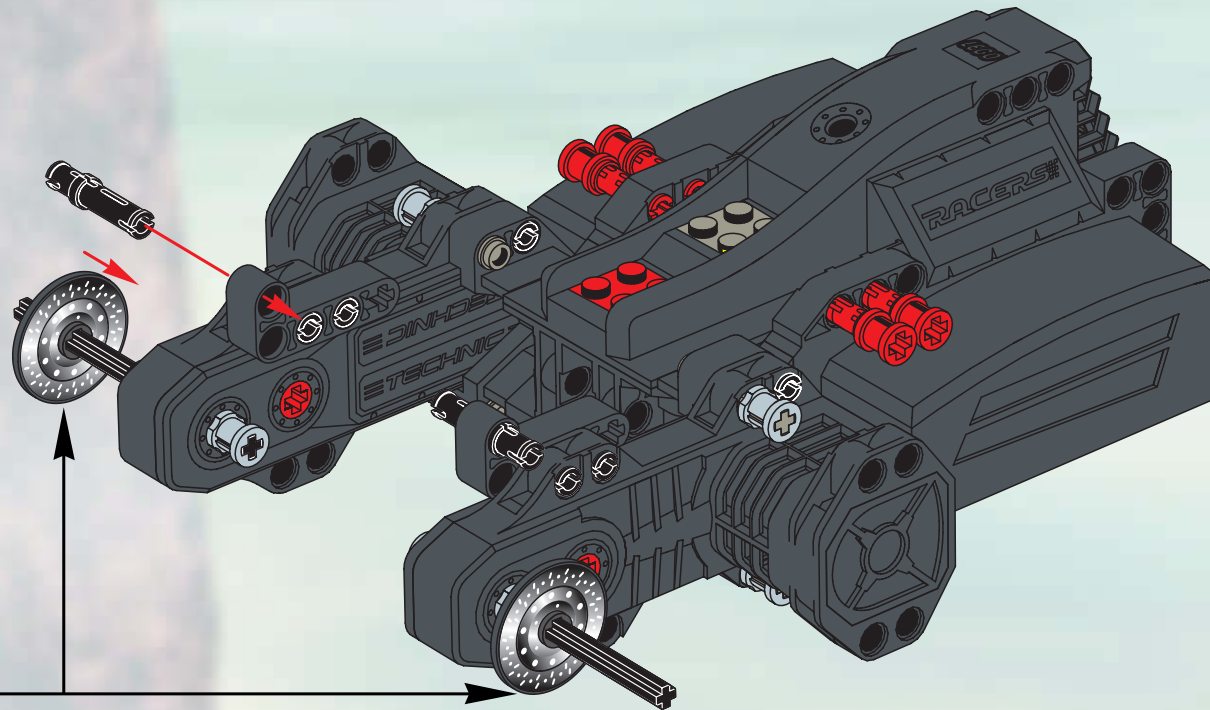
4

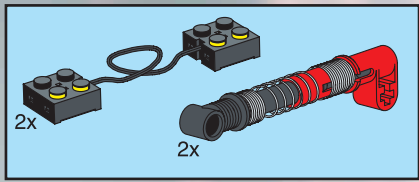




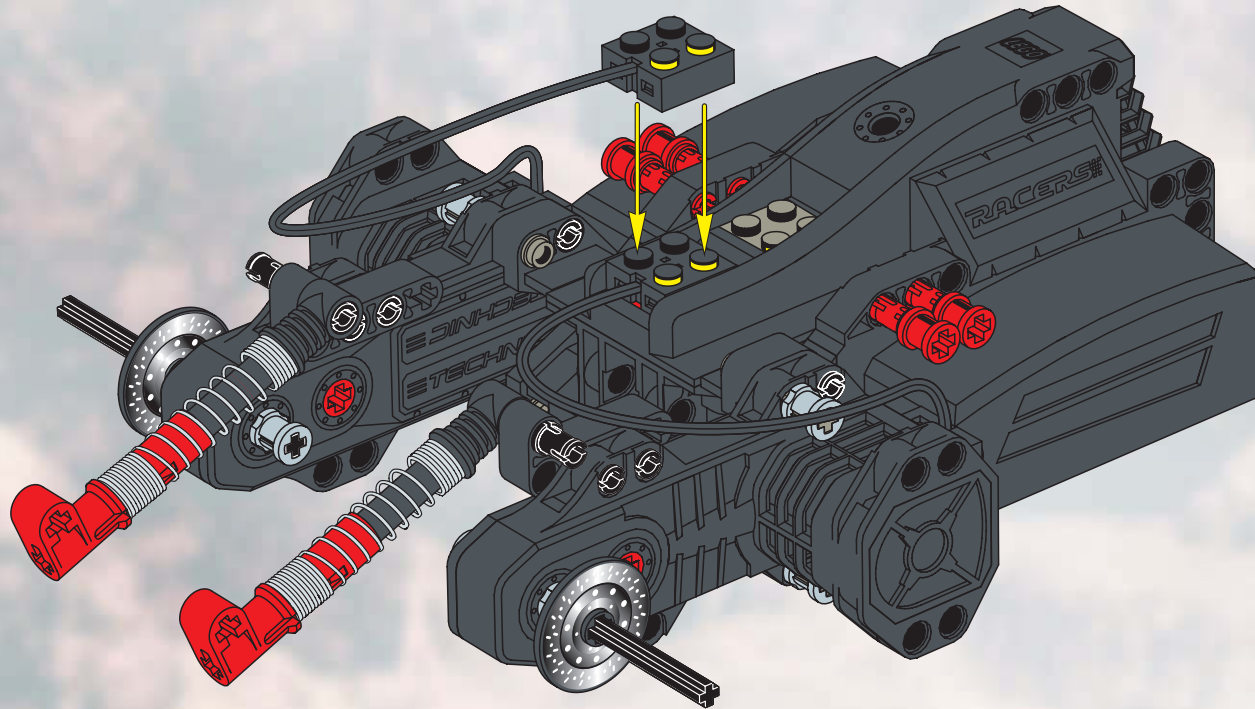


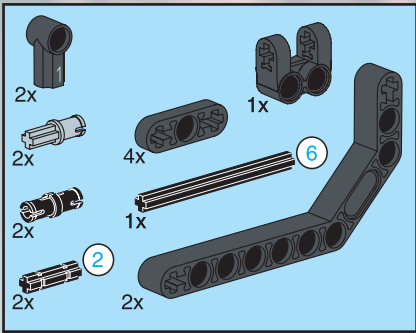
5



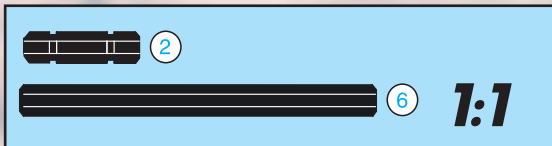
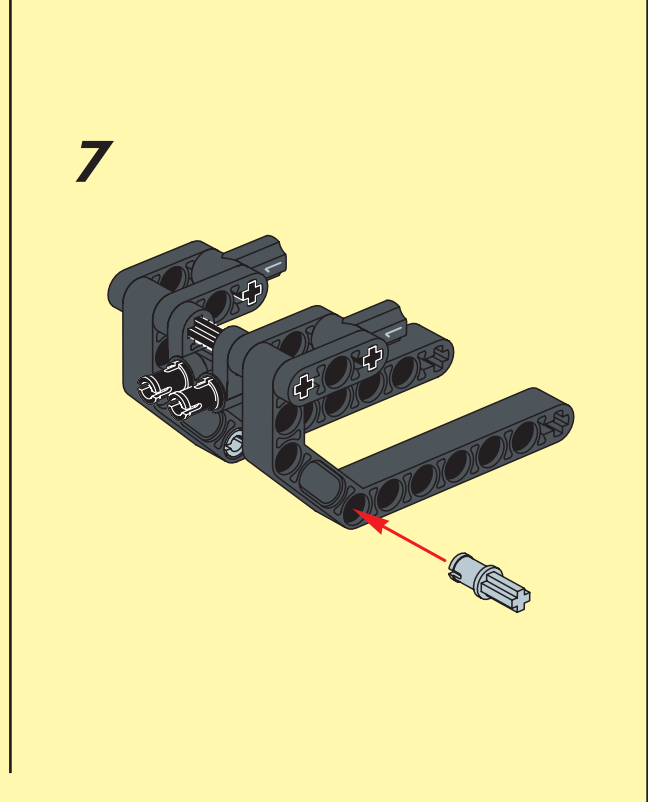
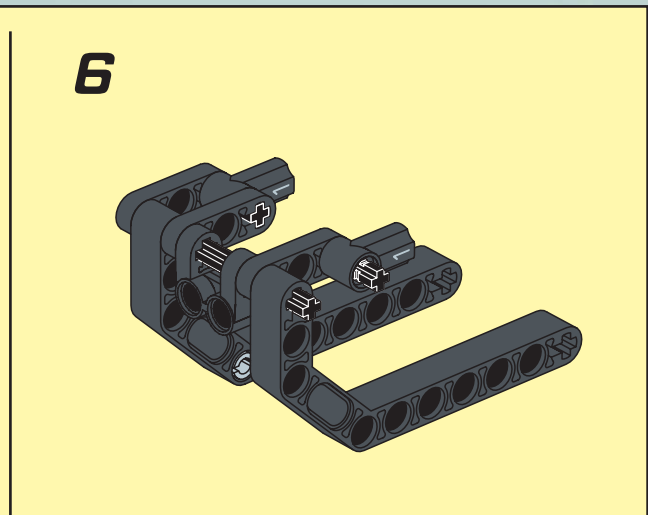
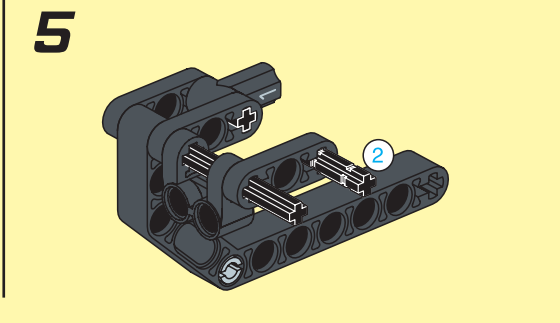
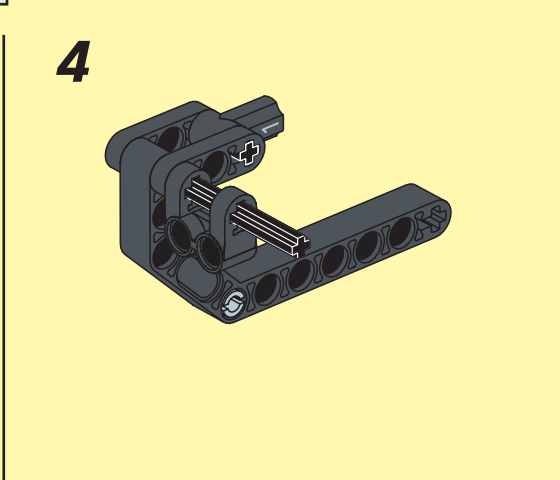
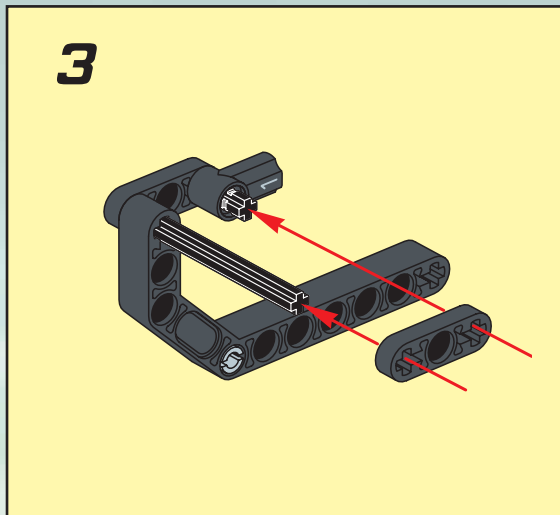
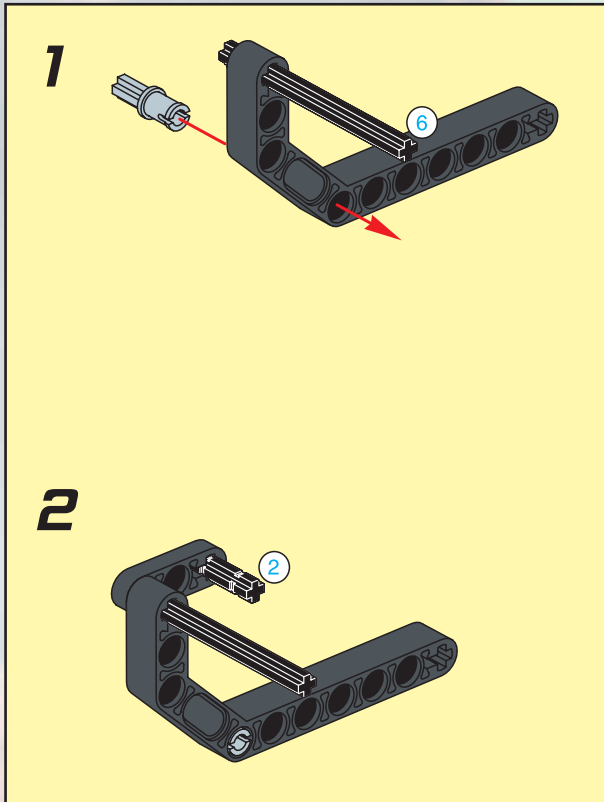


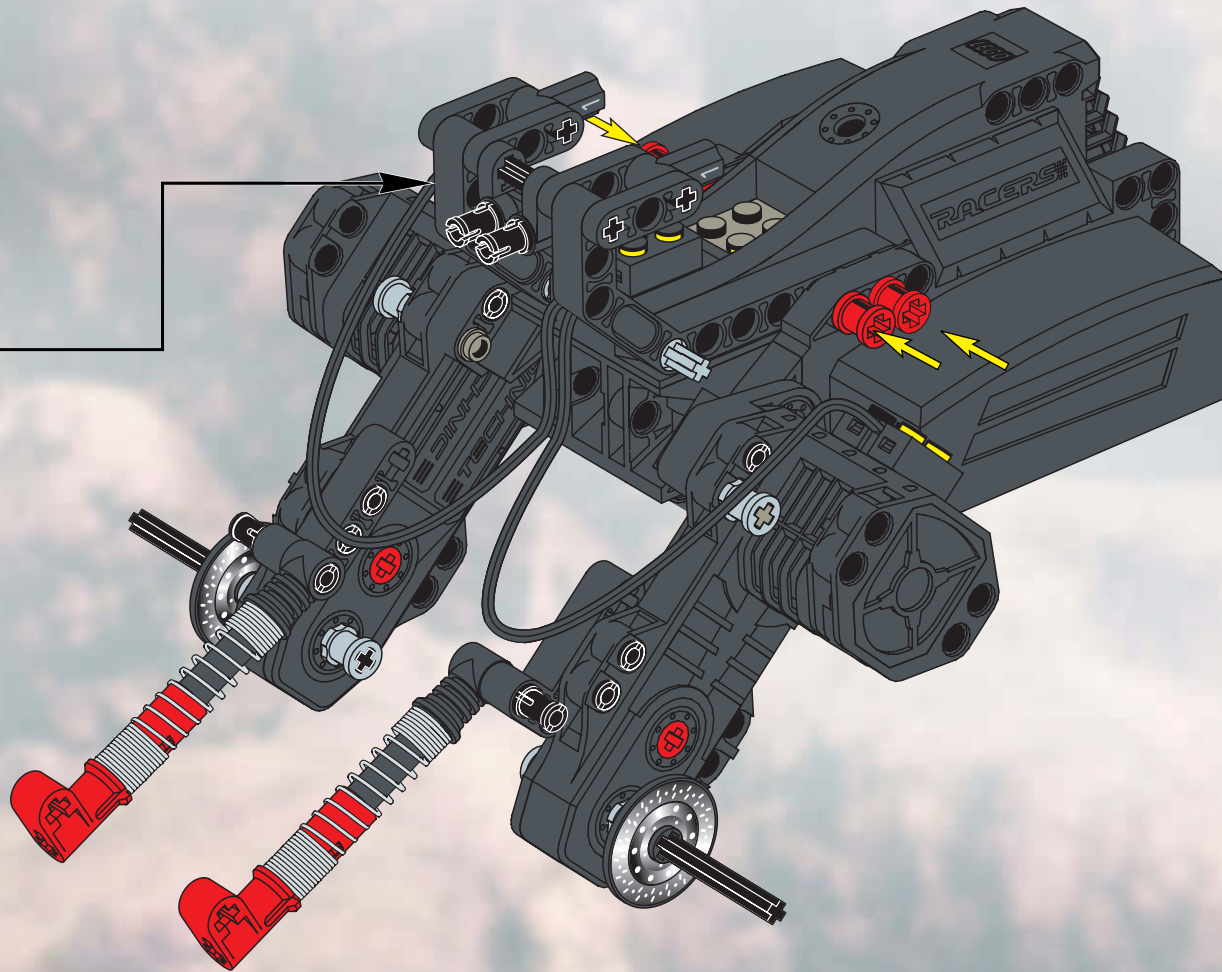
6





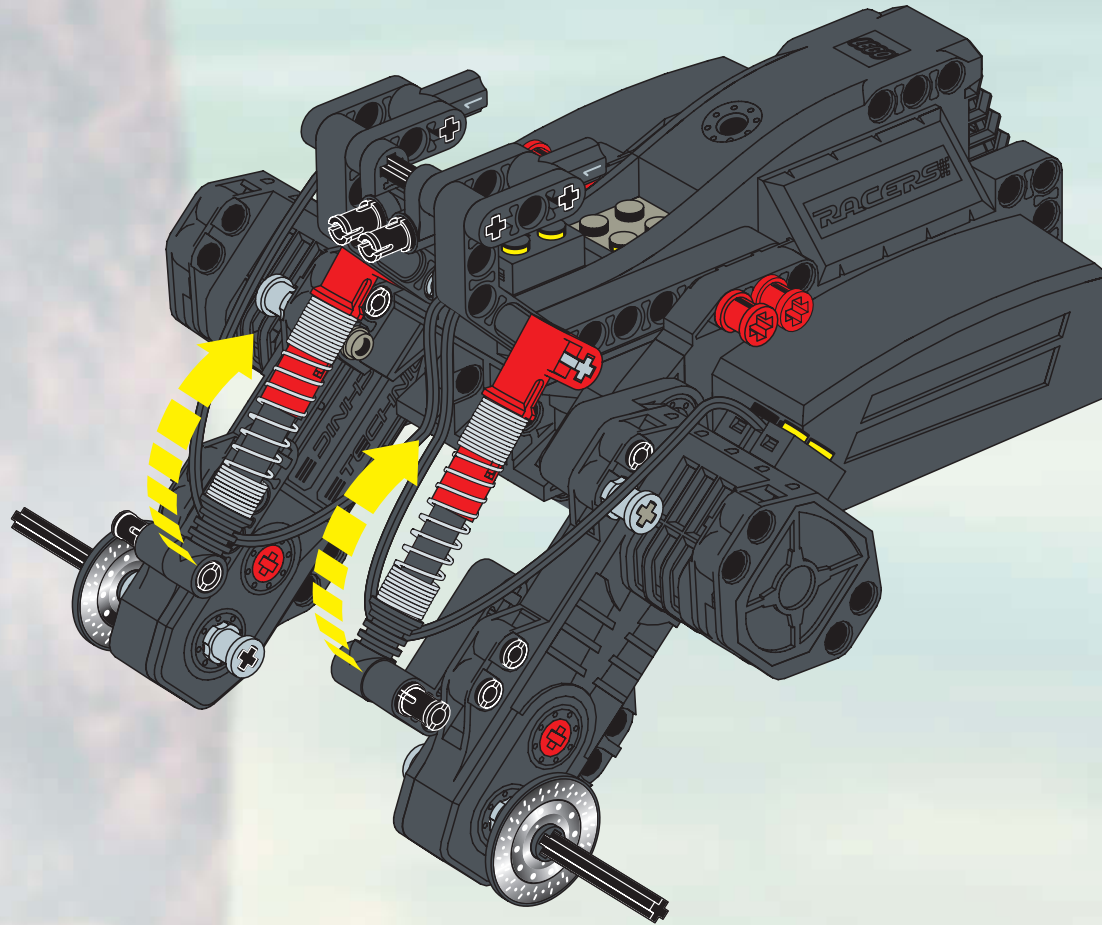
**7**

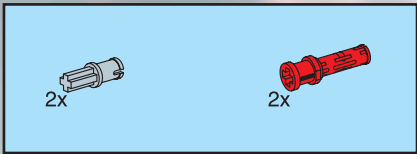




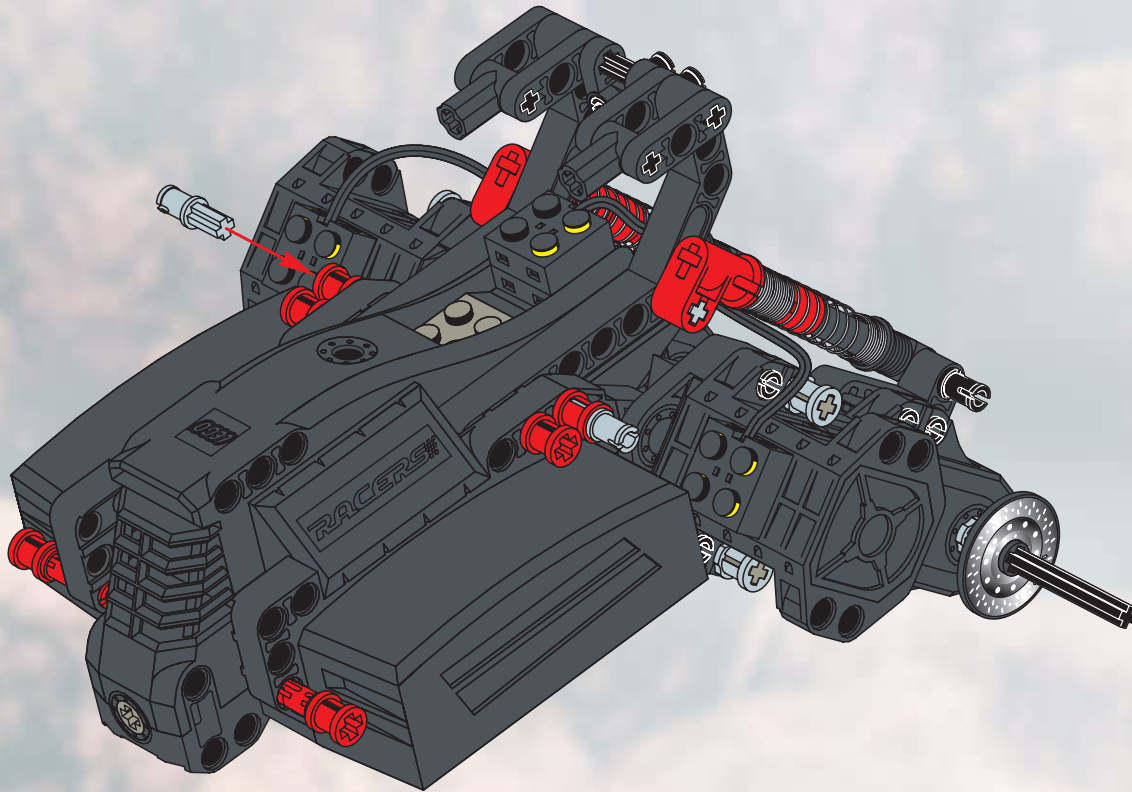
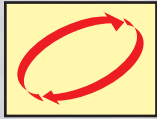


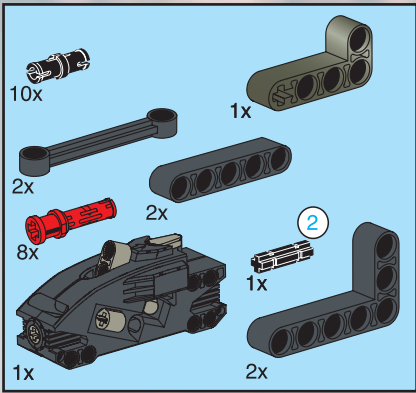
8



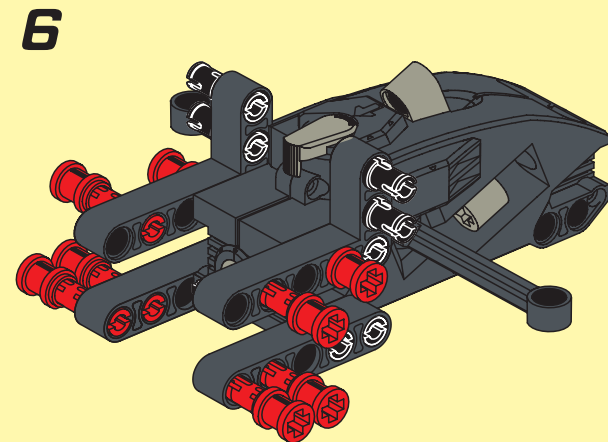
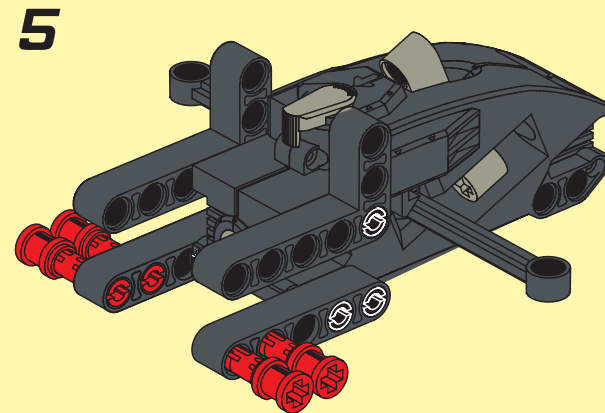
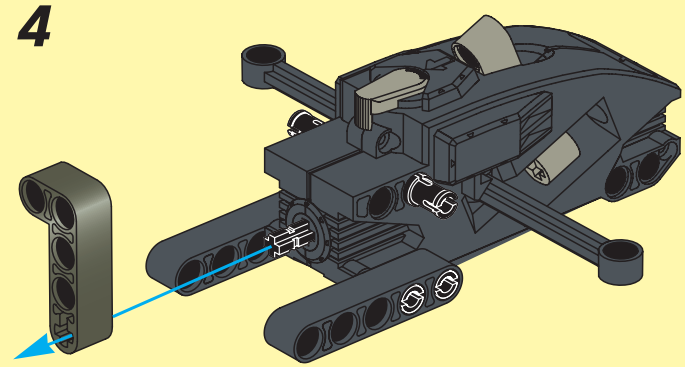
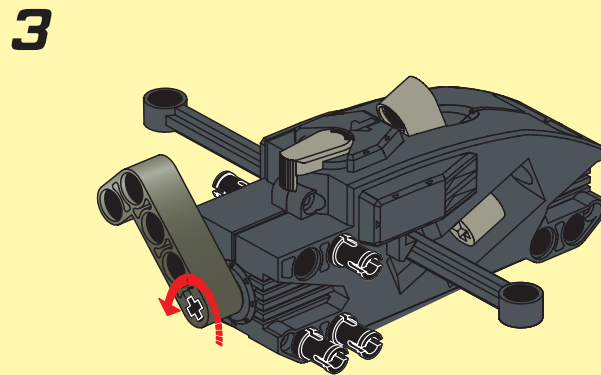
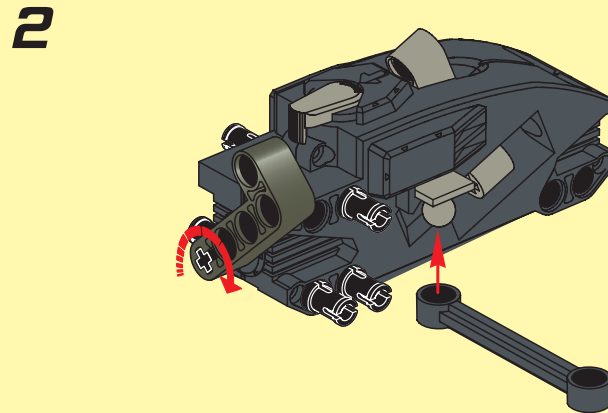
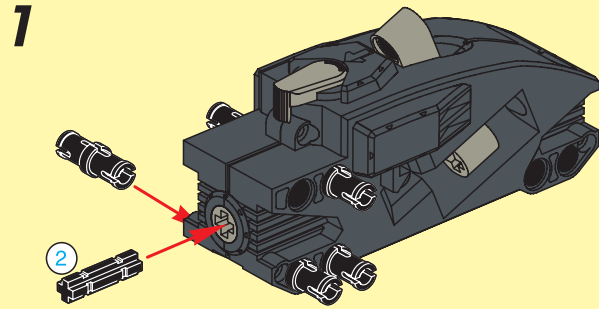


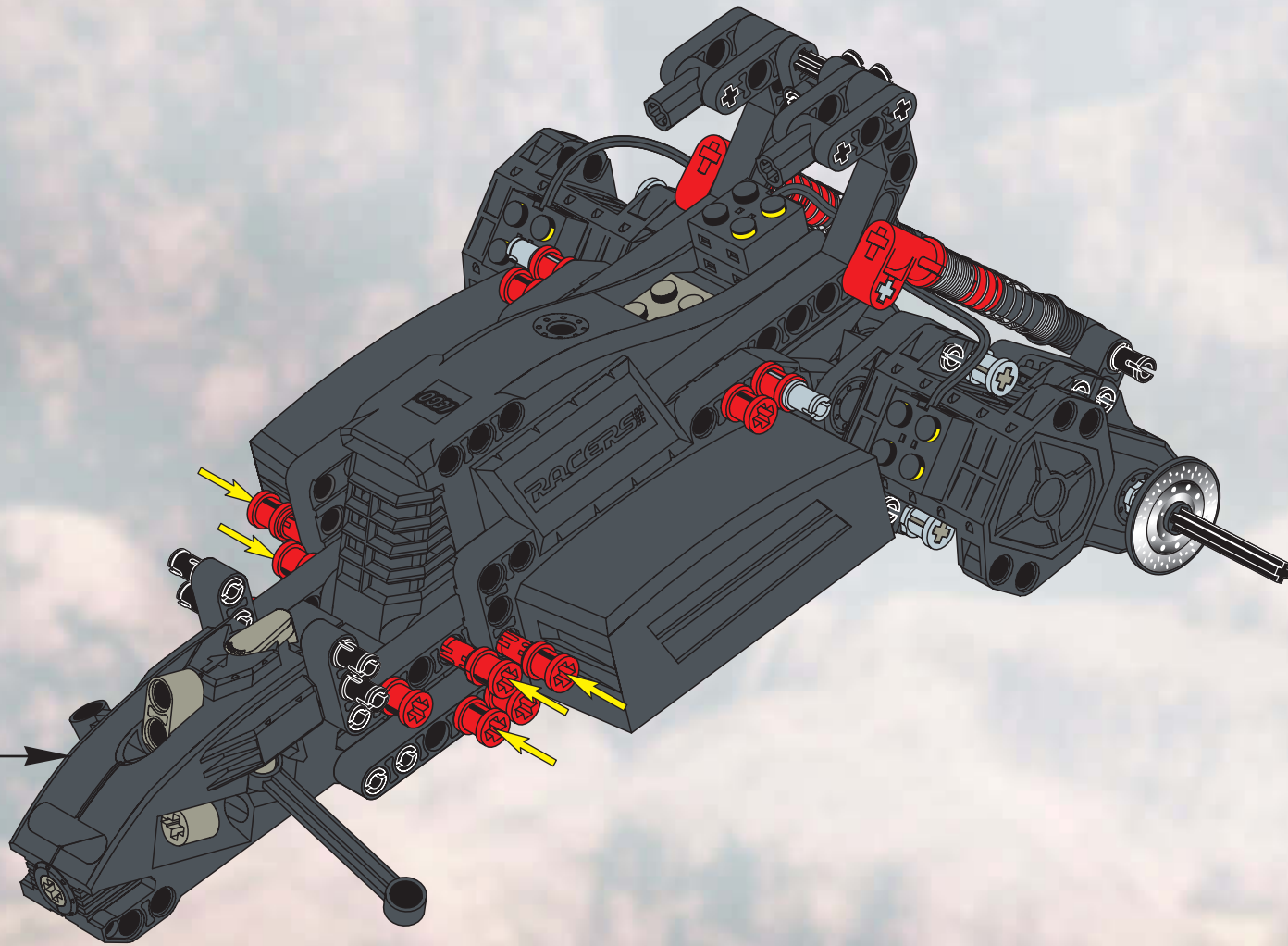
9



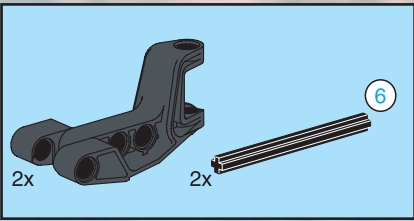


# 10

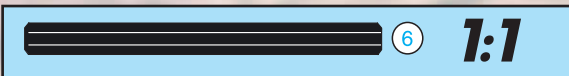
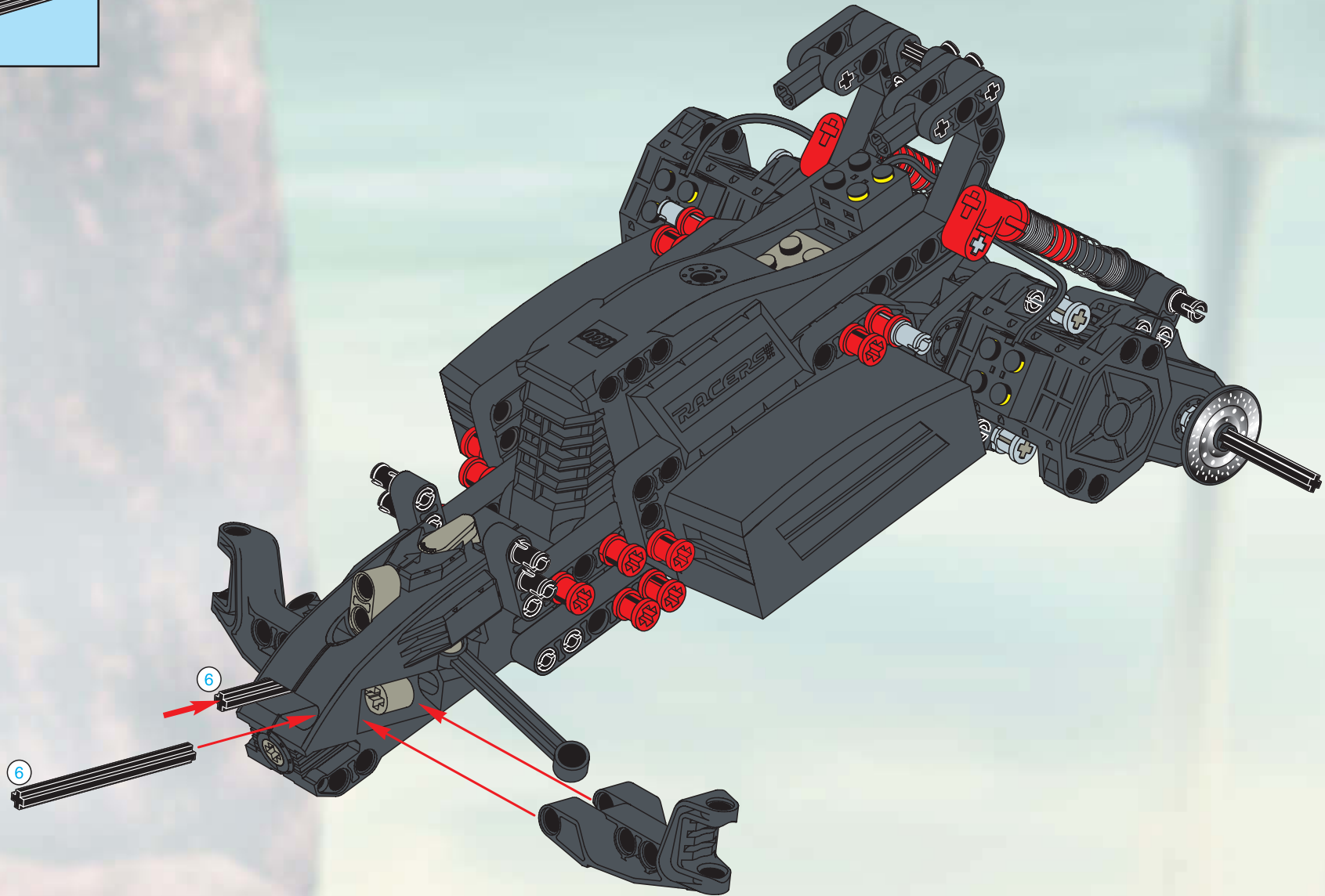


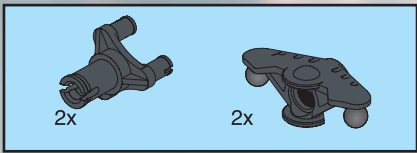




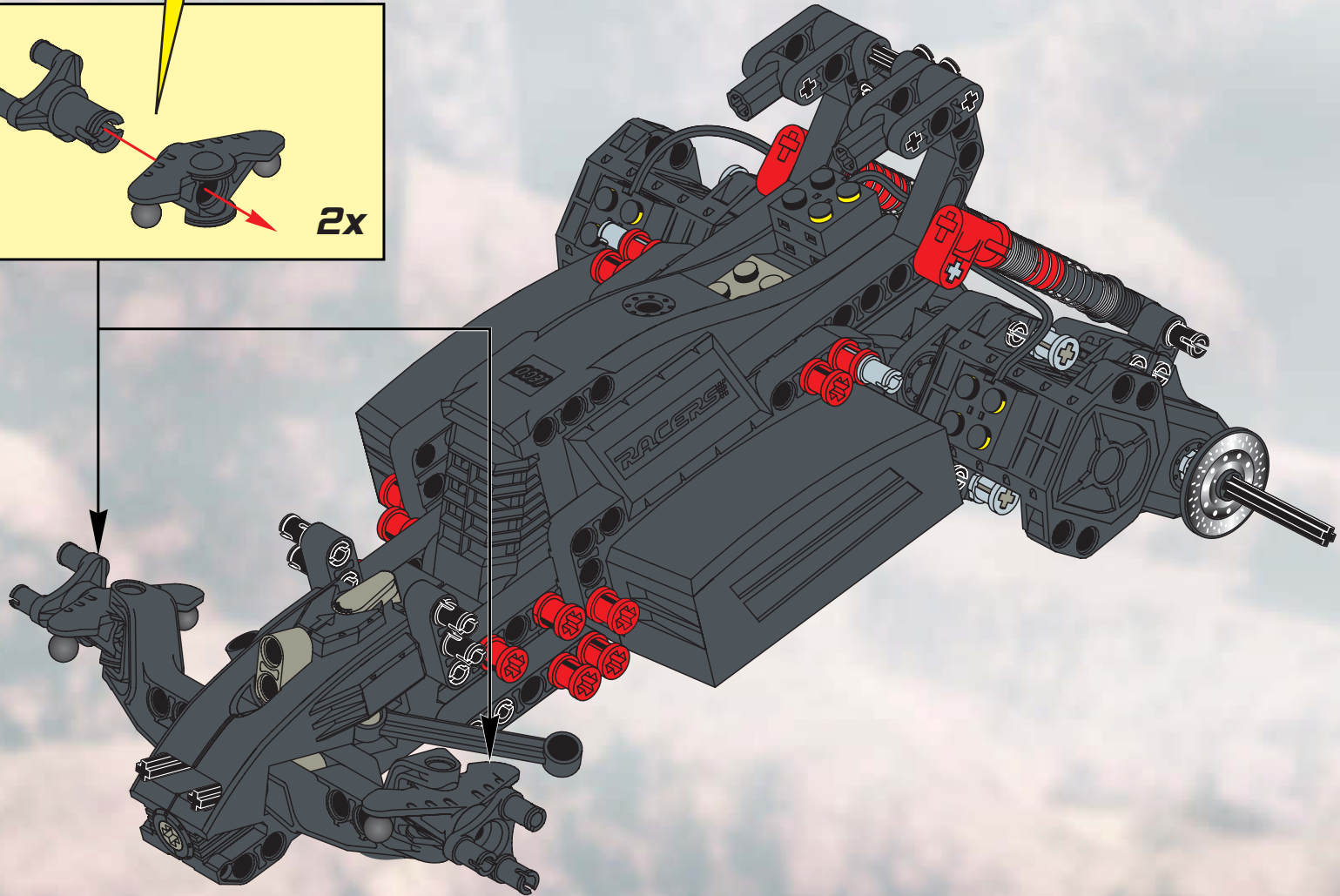
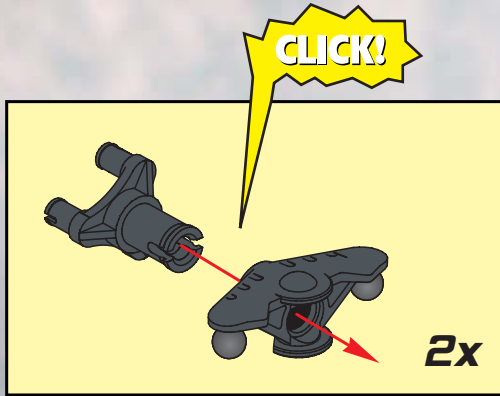


11



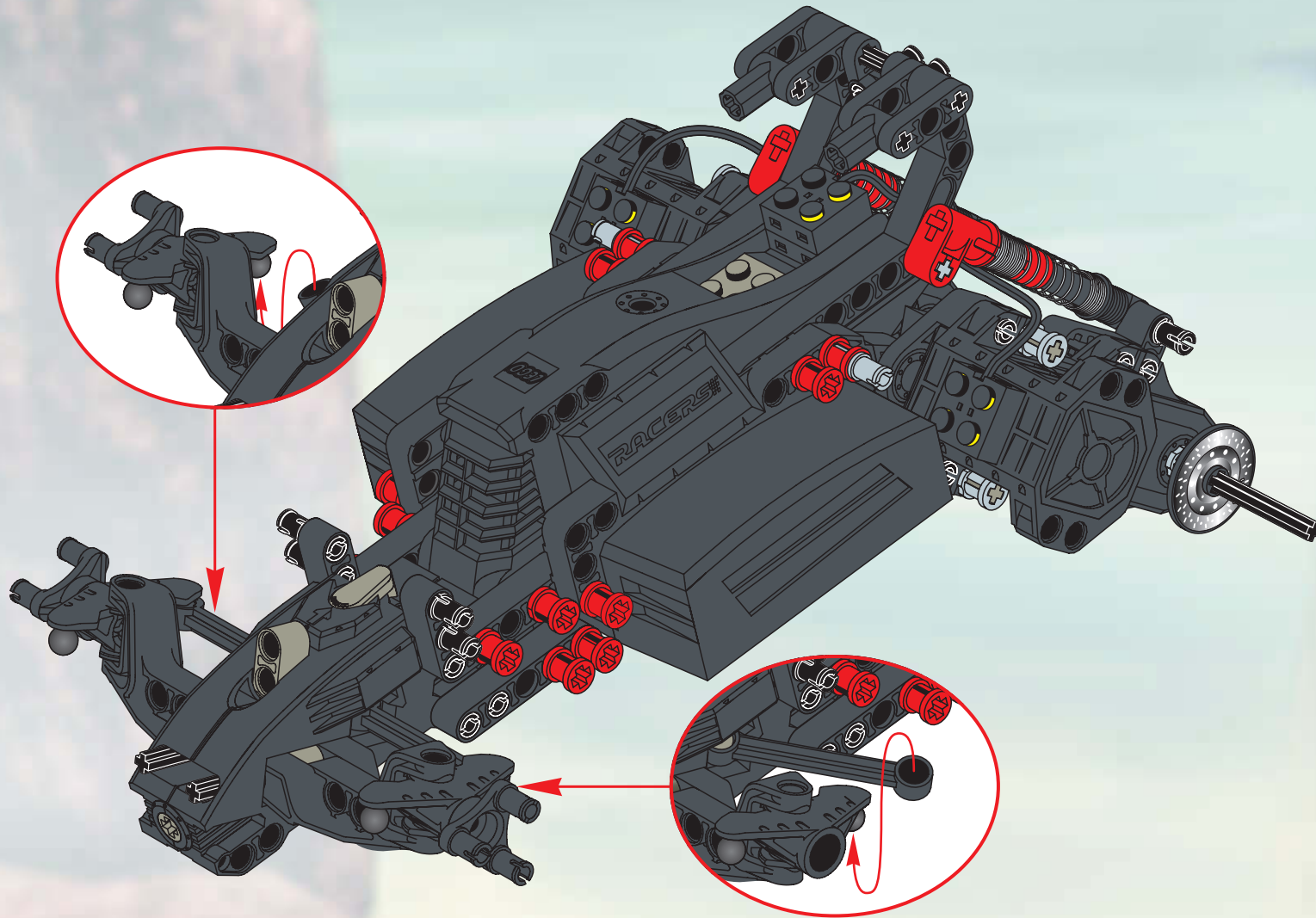


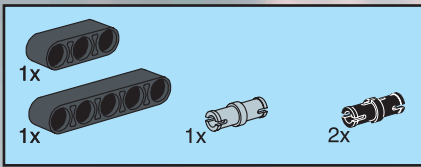
12



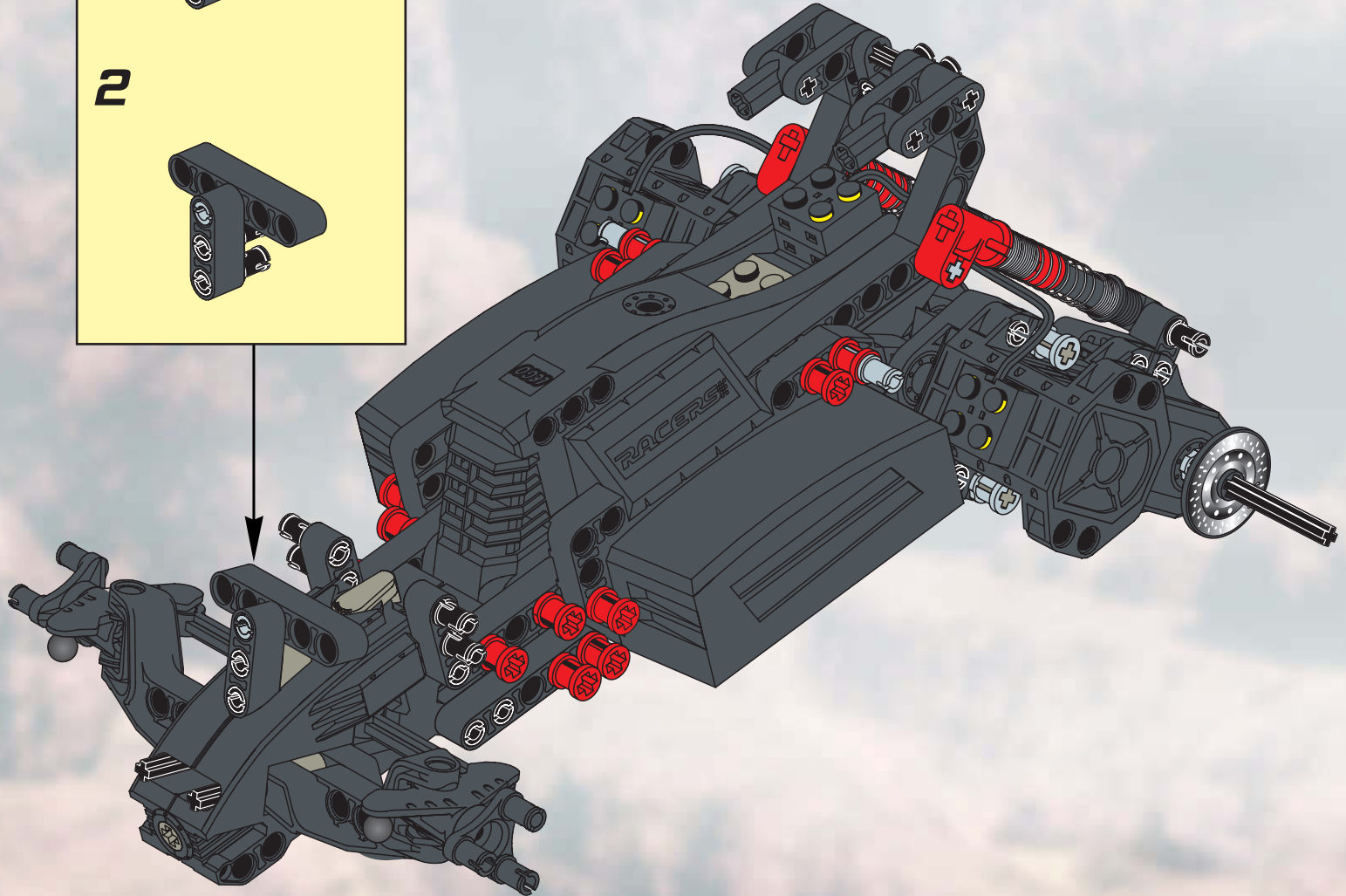
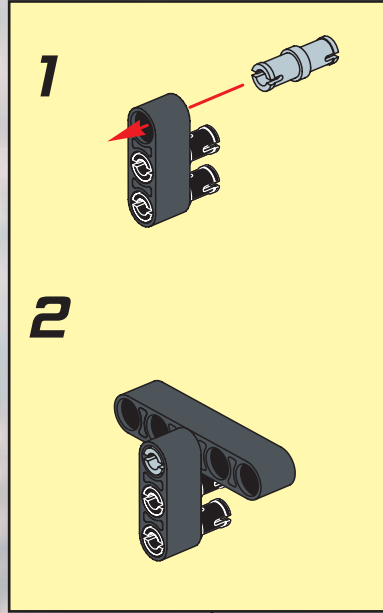


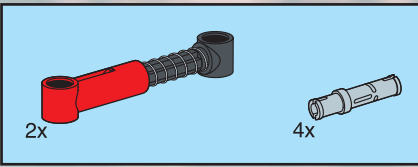
13



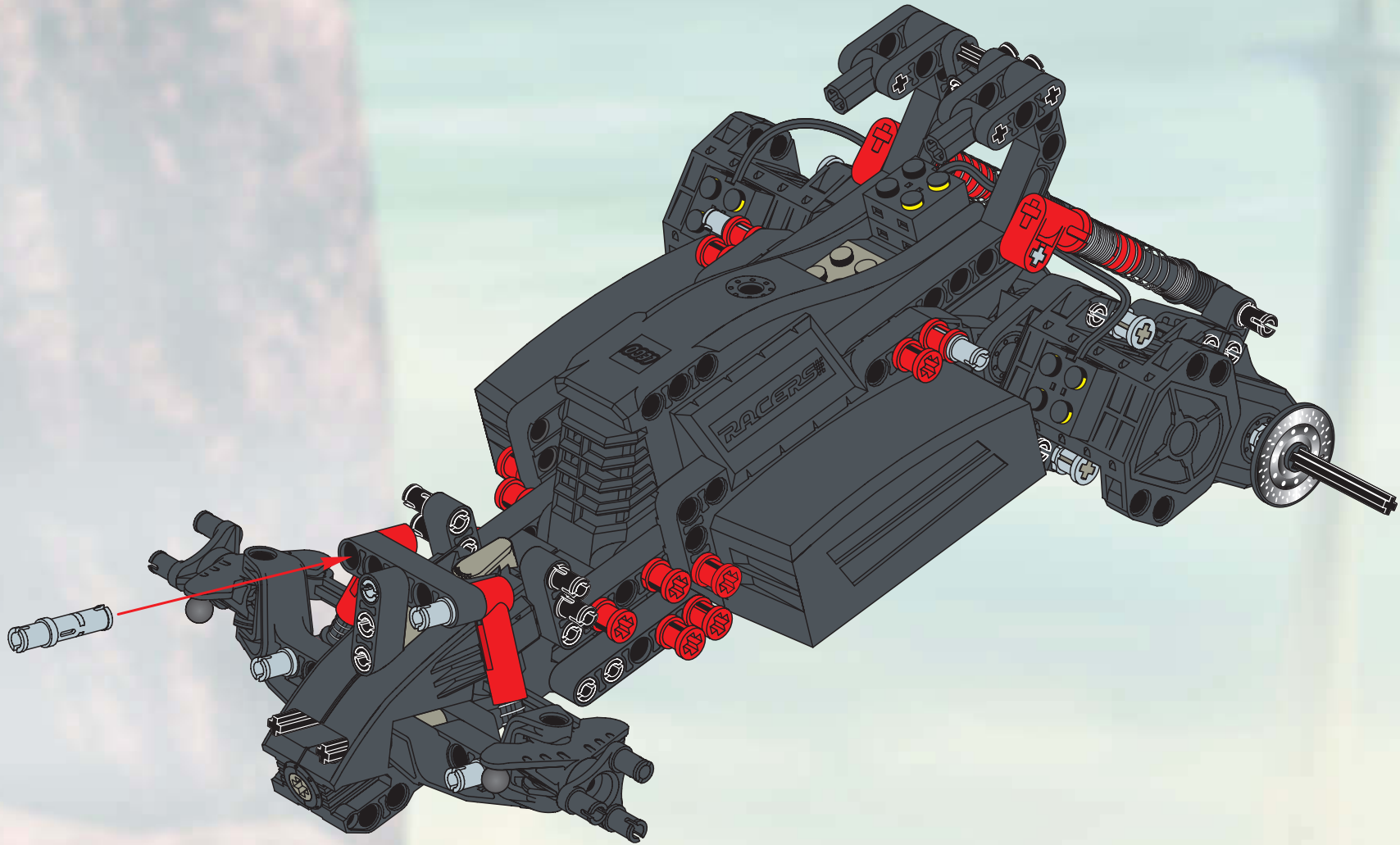


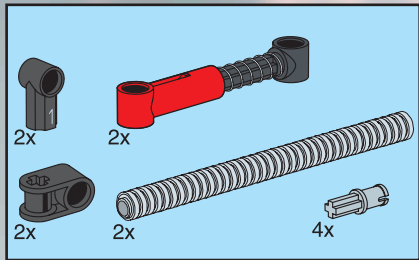
14



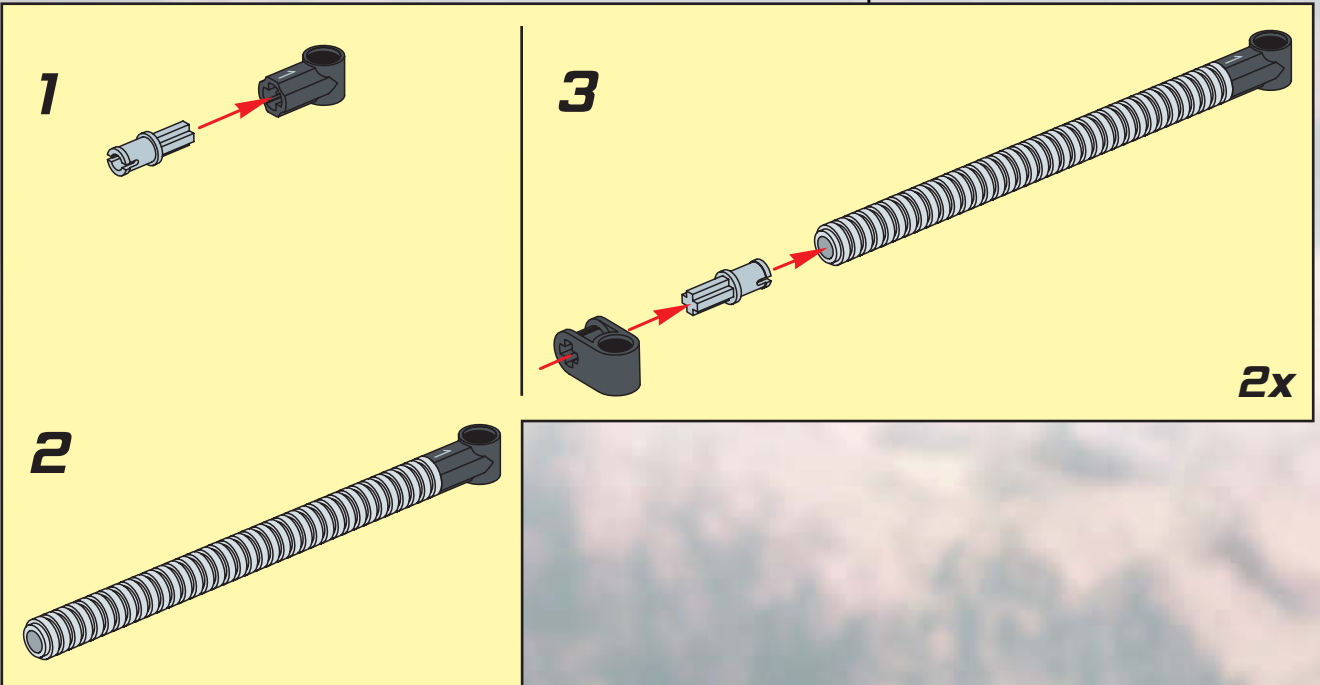
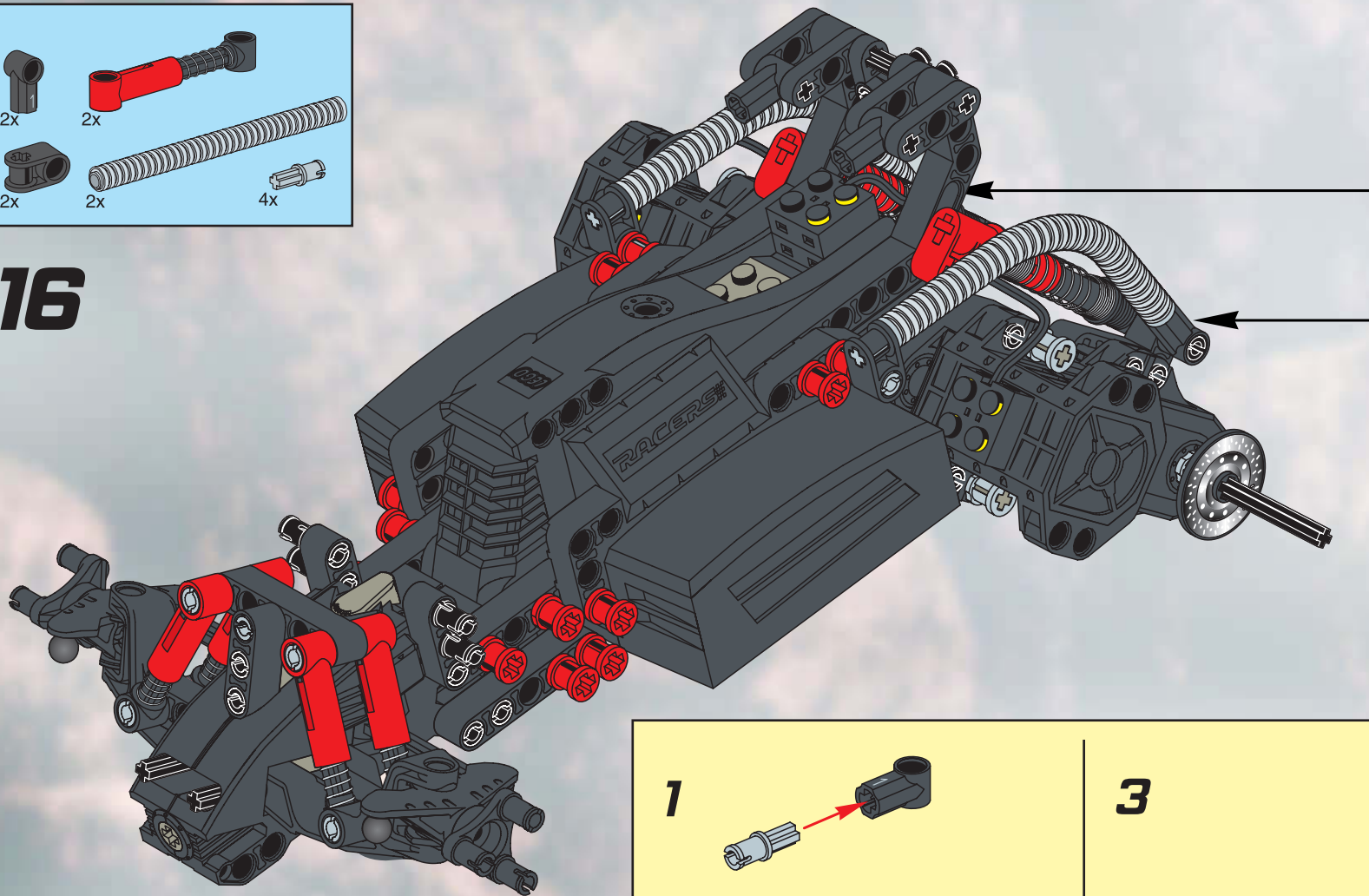


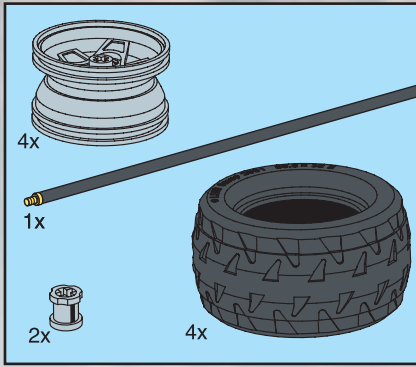
15





16





17



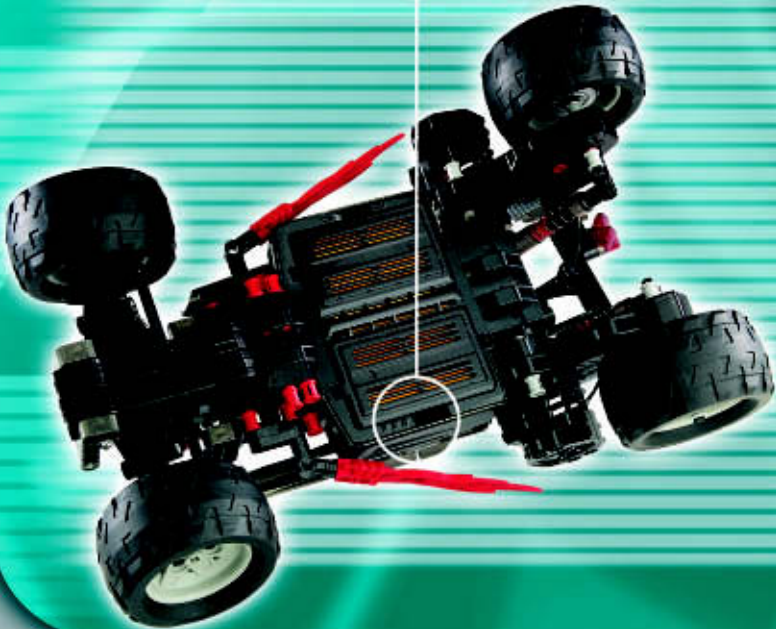


Channel 1 Channel 2 Channel 3



# 3 Channels

Channel 1 Channel 2 Channel 3



Channel 1

Channel 2

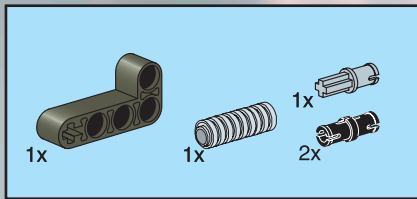
Channel 3



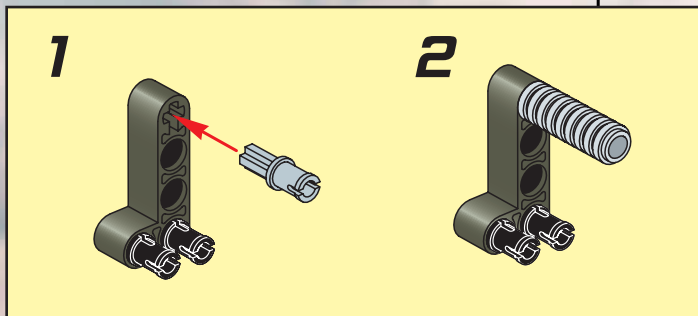
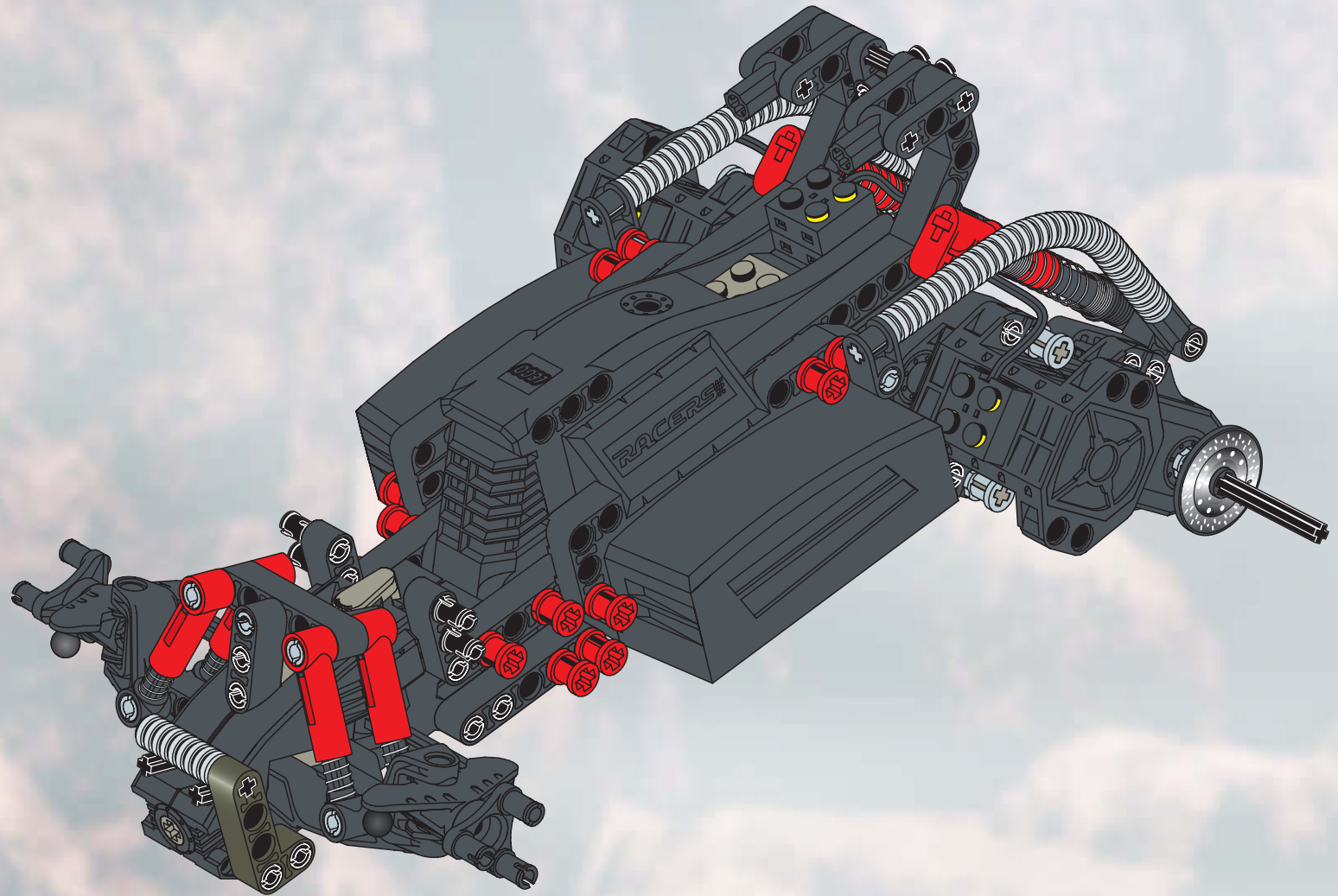


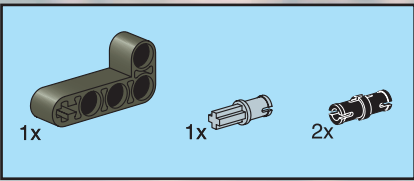


Technical information: Frequency: 27.145 MHz

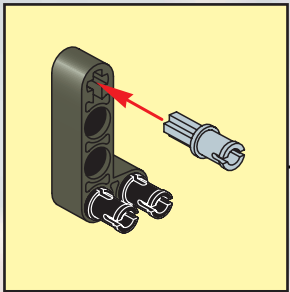
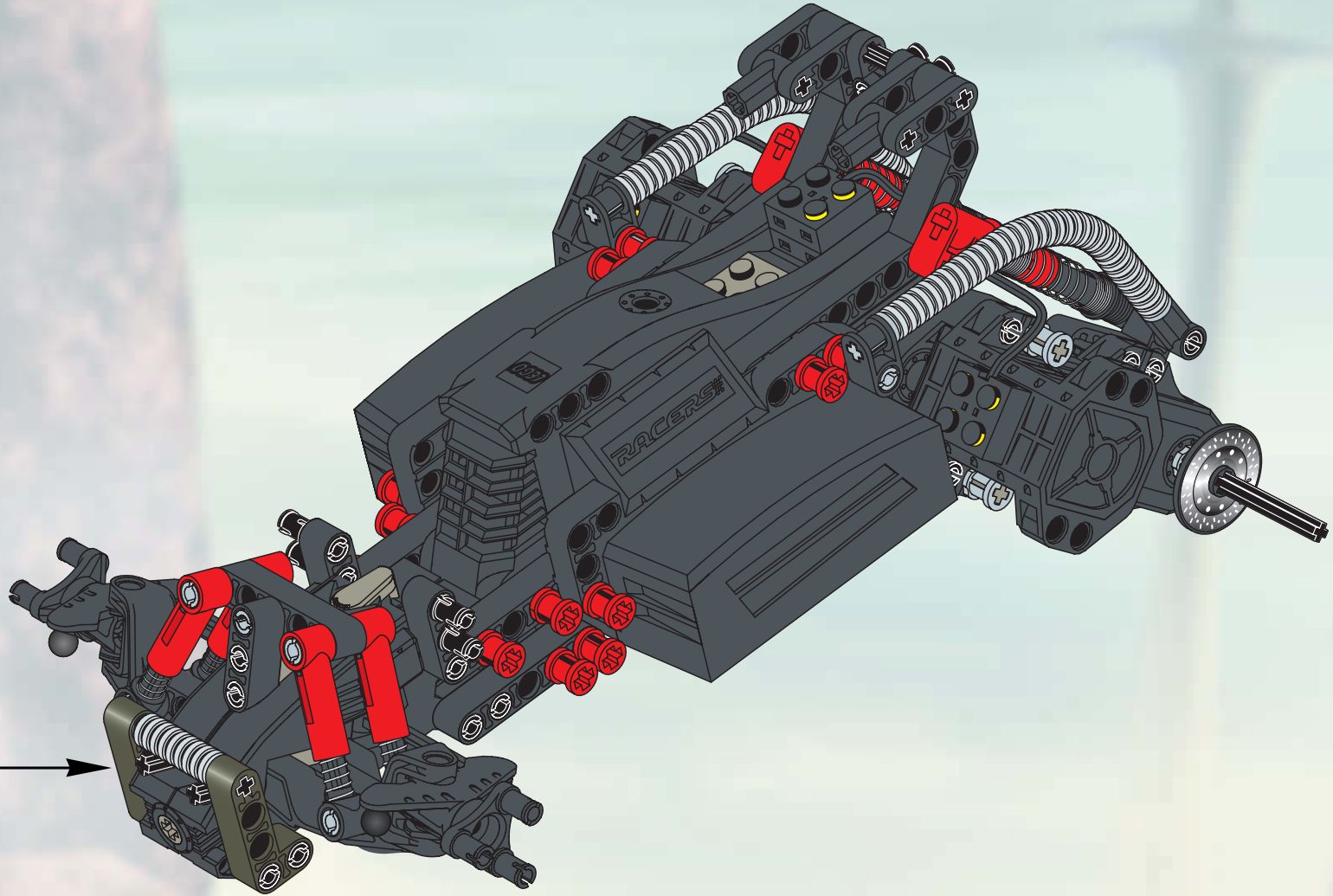


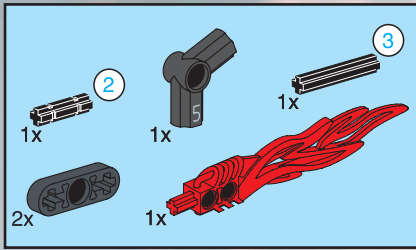
**18**



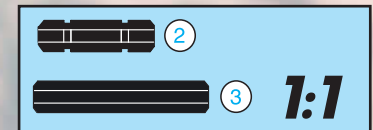
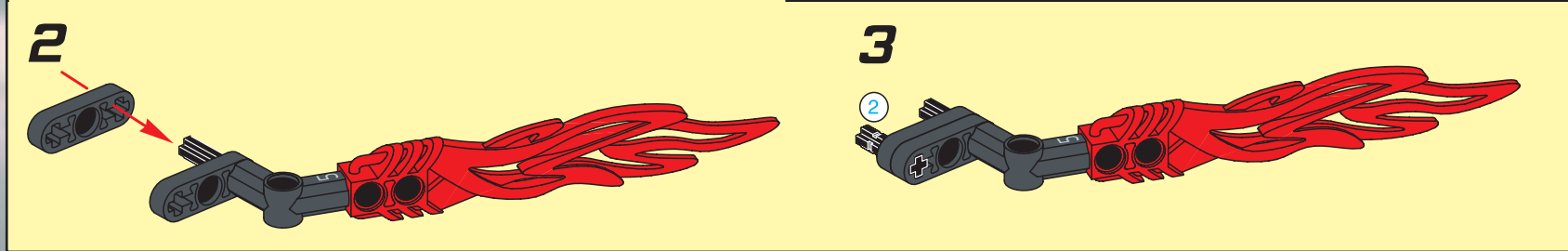
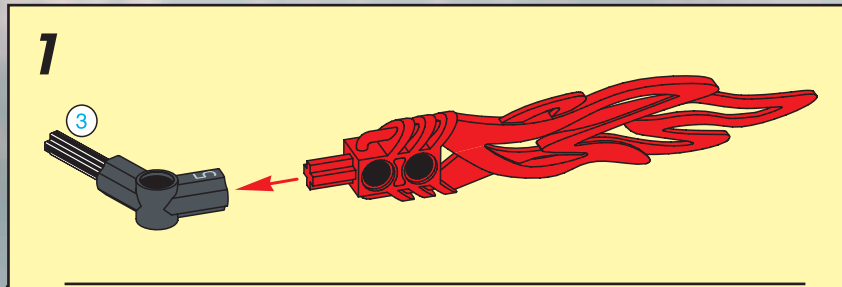
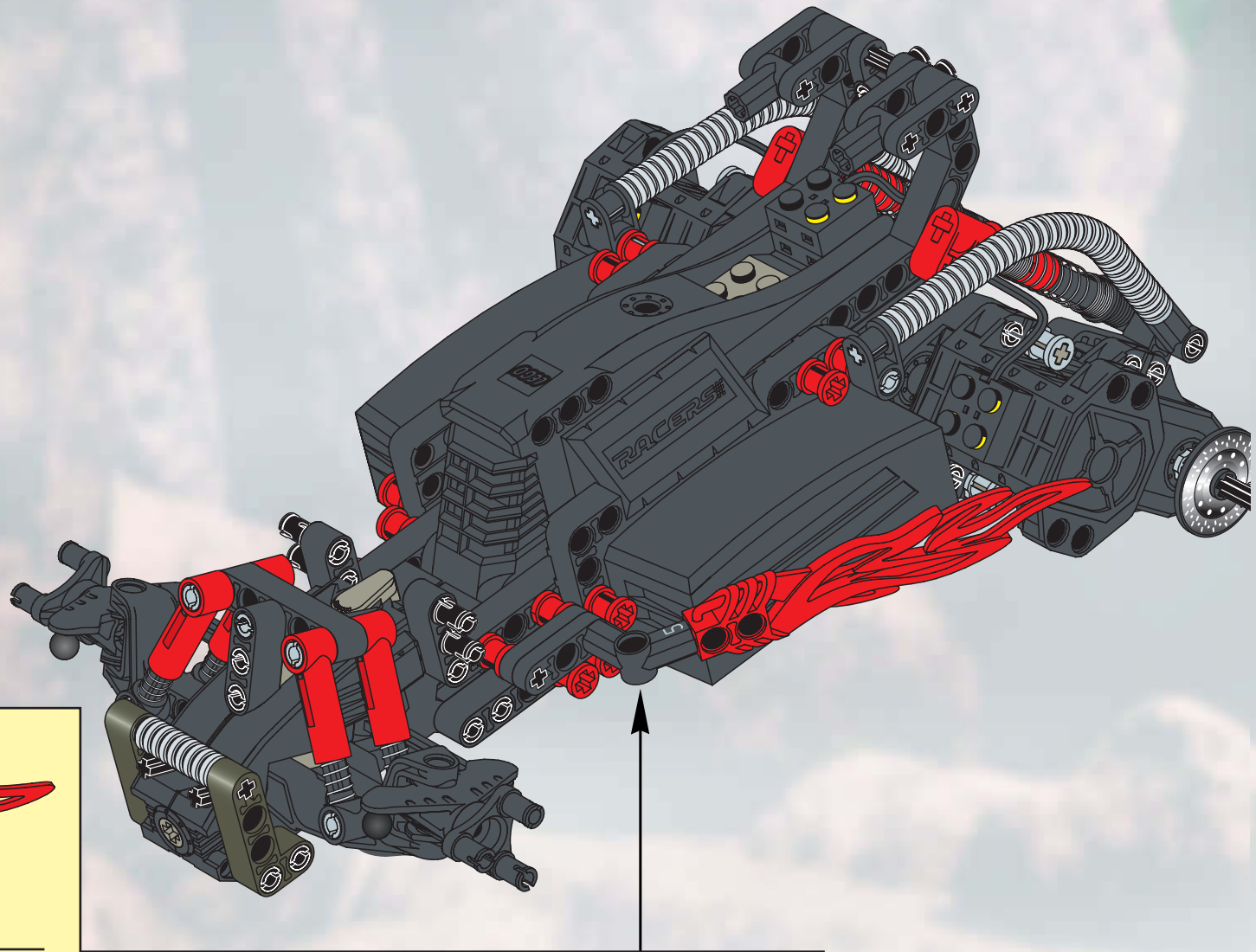


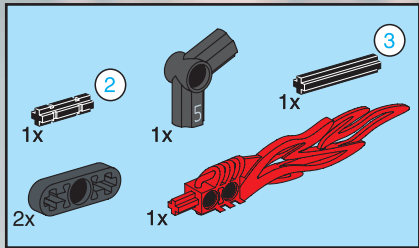
19



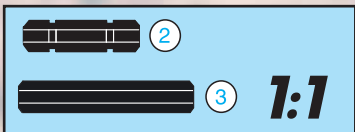
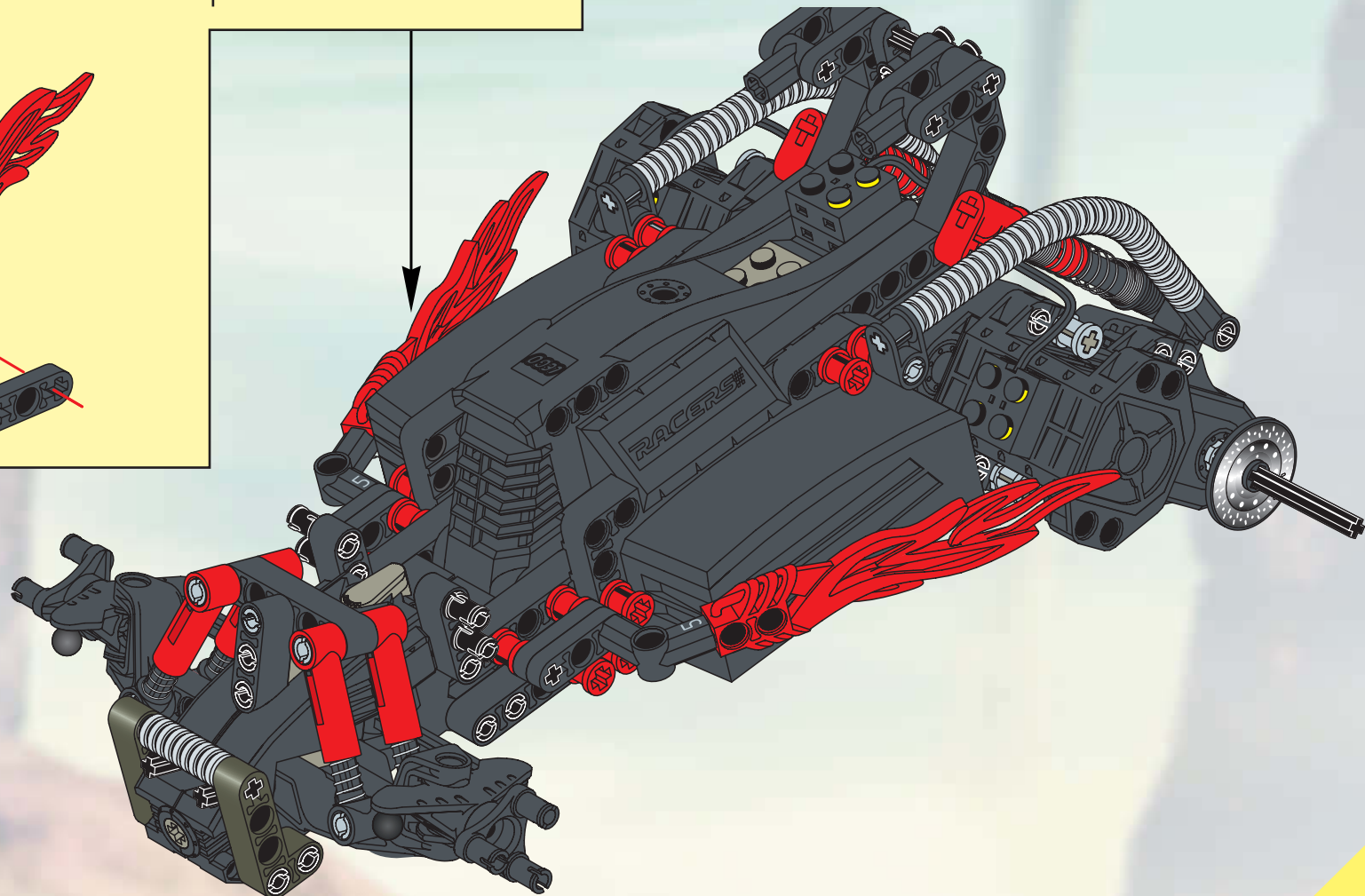
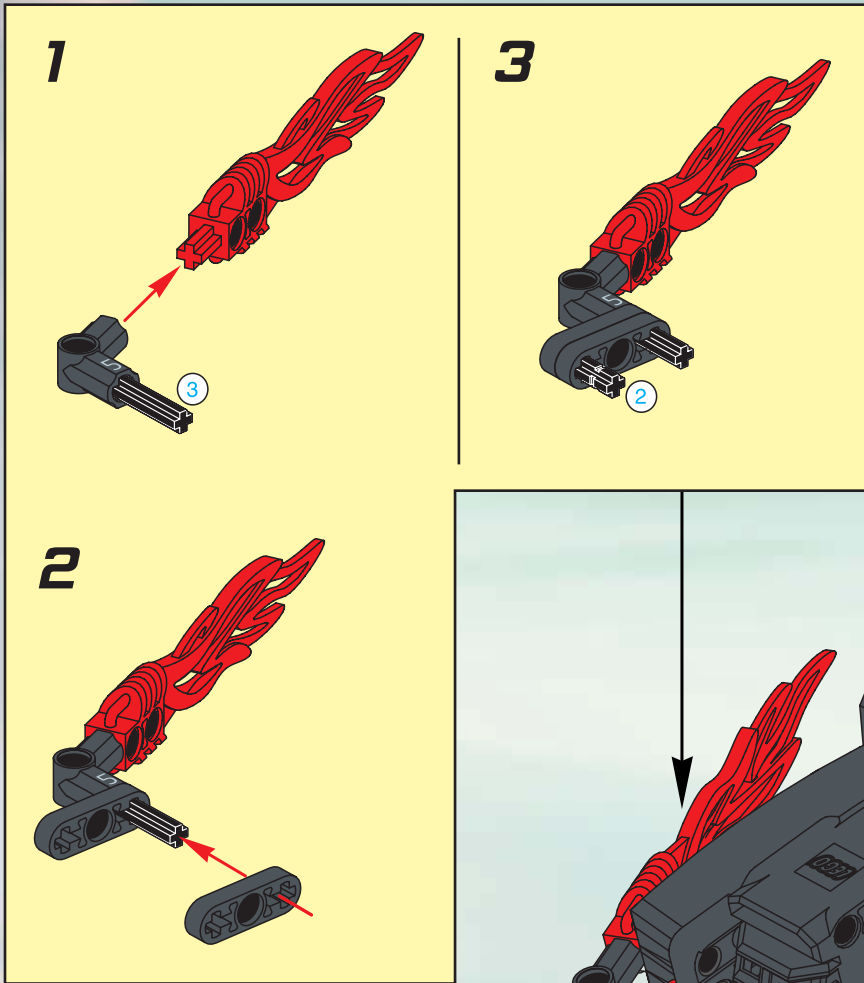


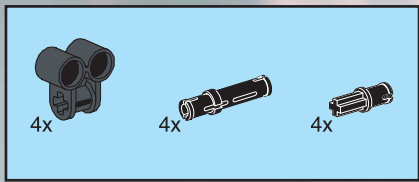
20



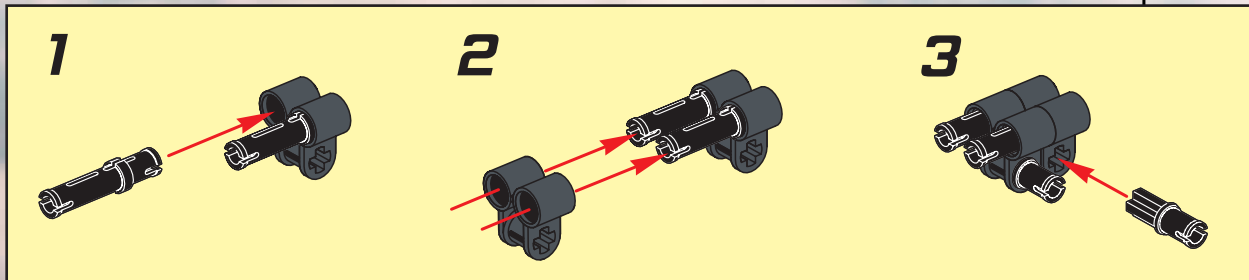
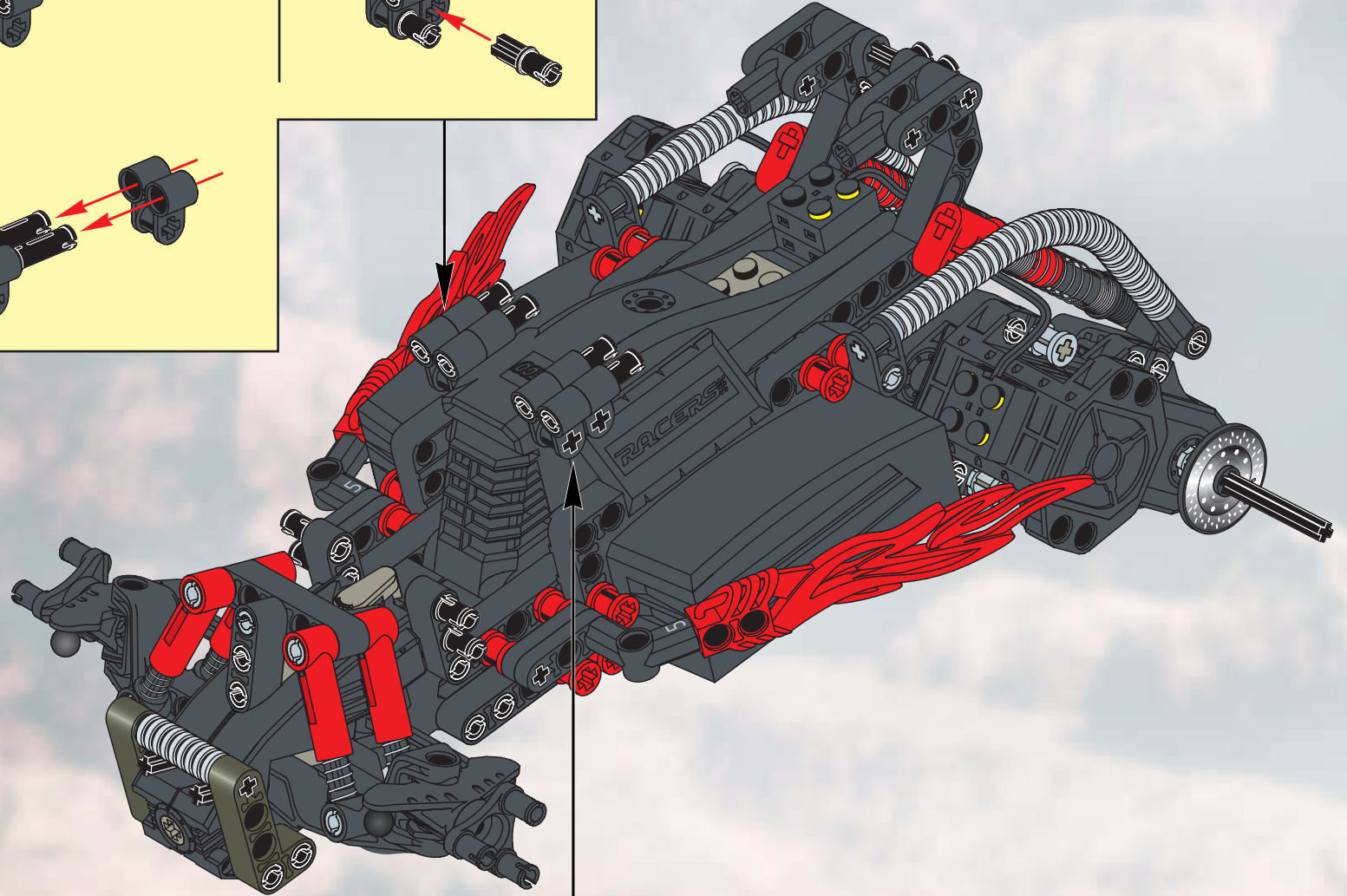
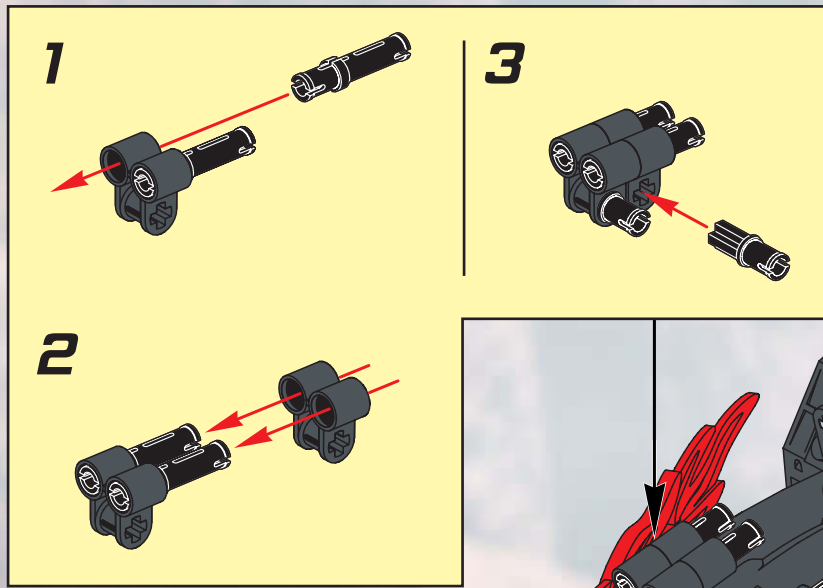


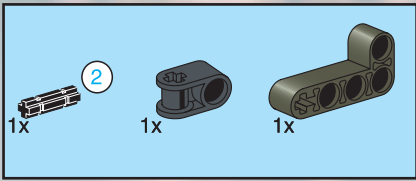
21



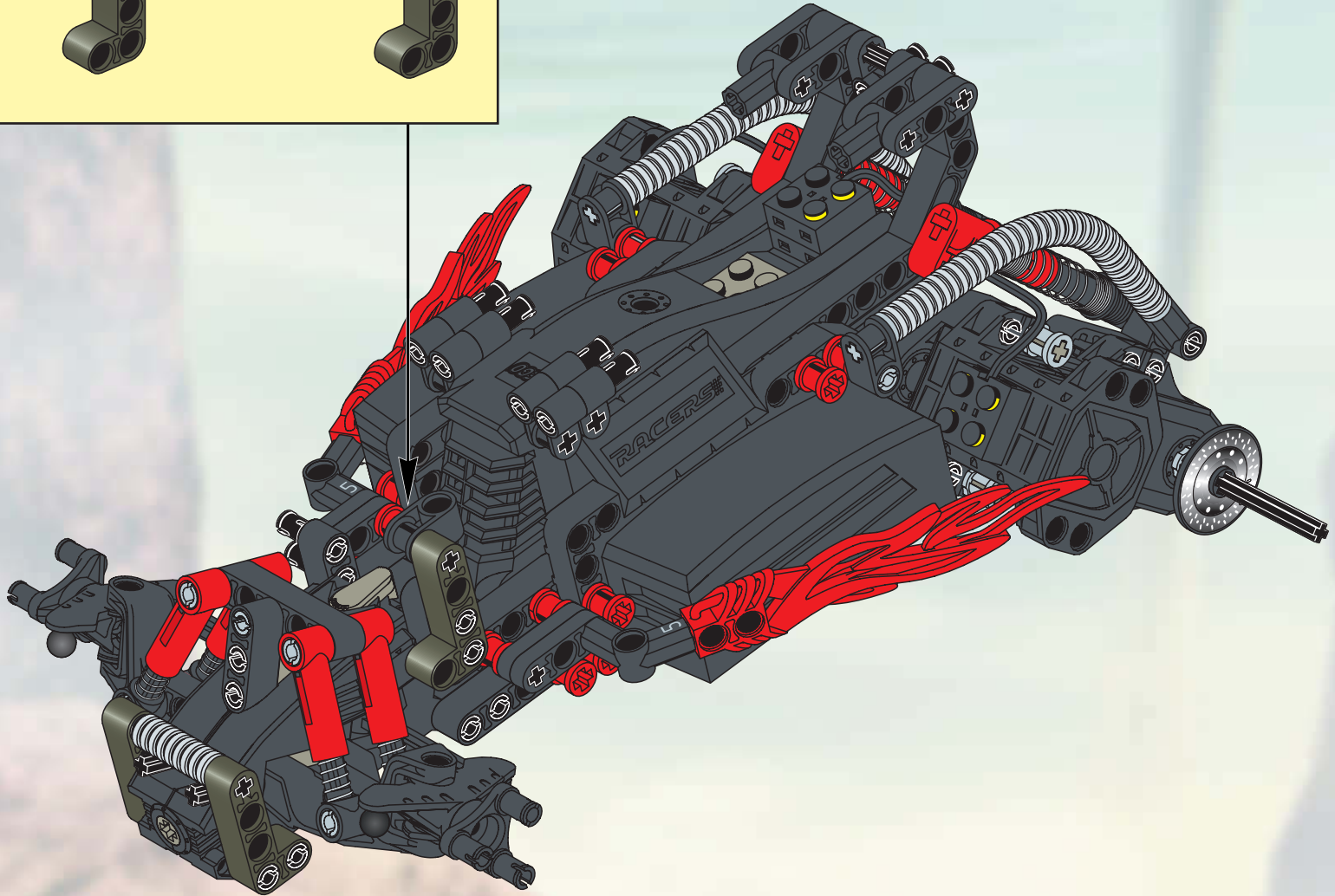
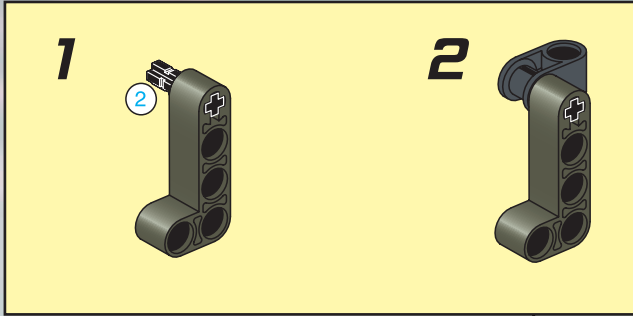


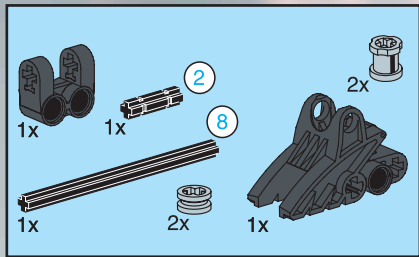
22



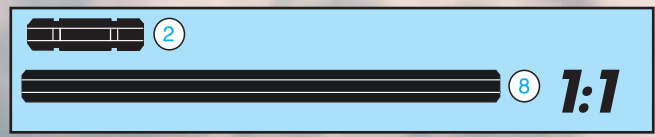
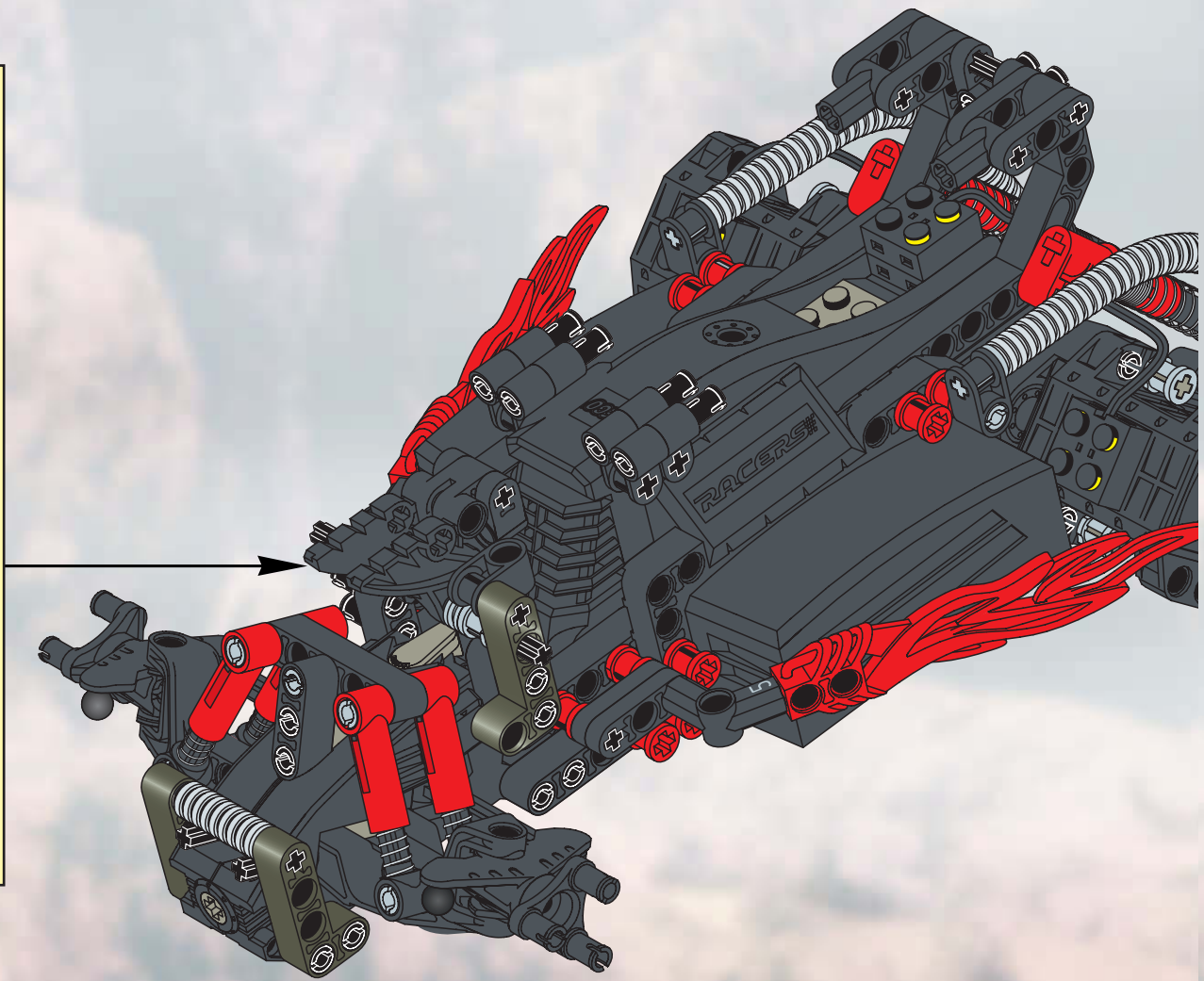
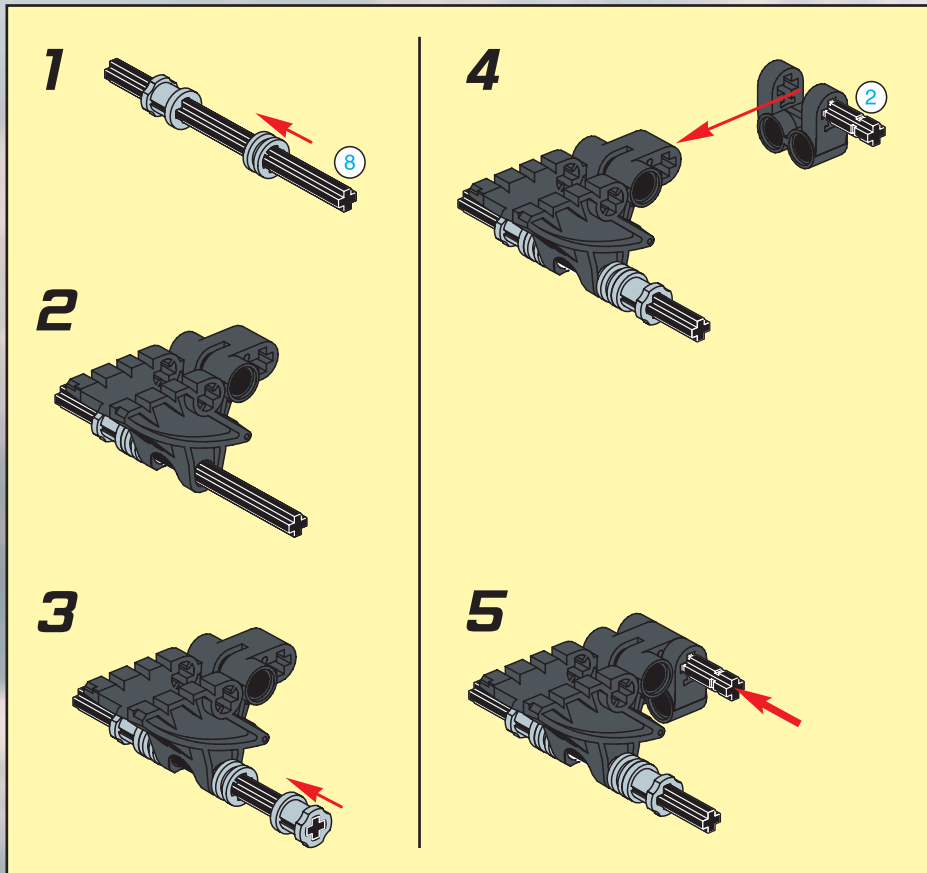


**23**

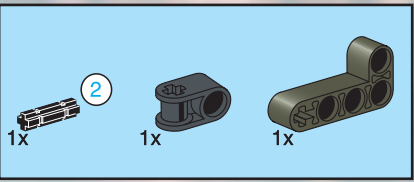




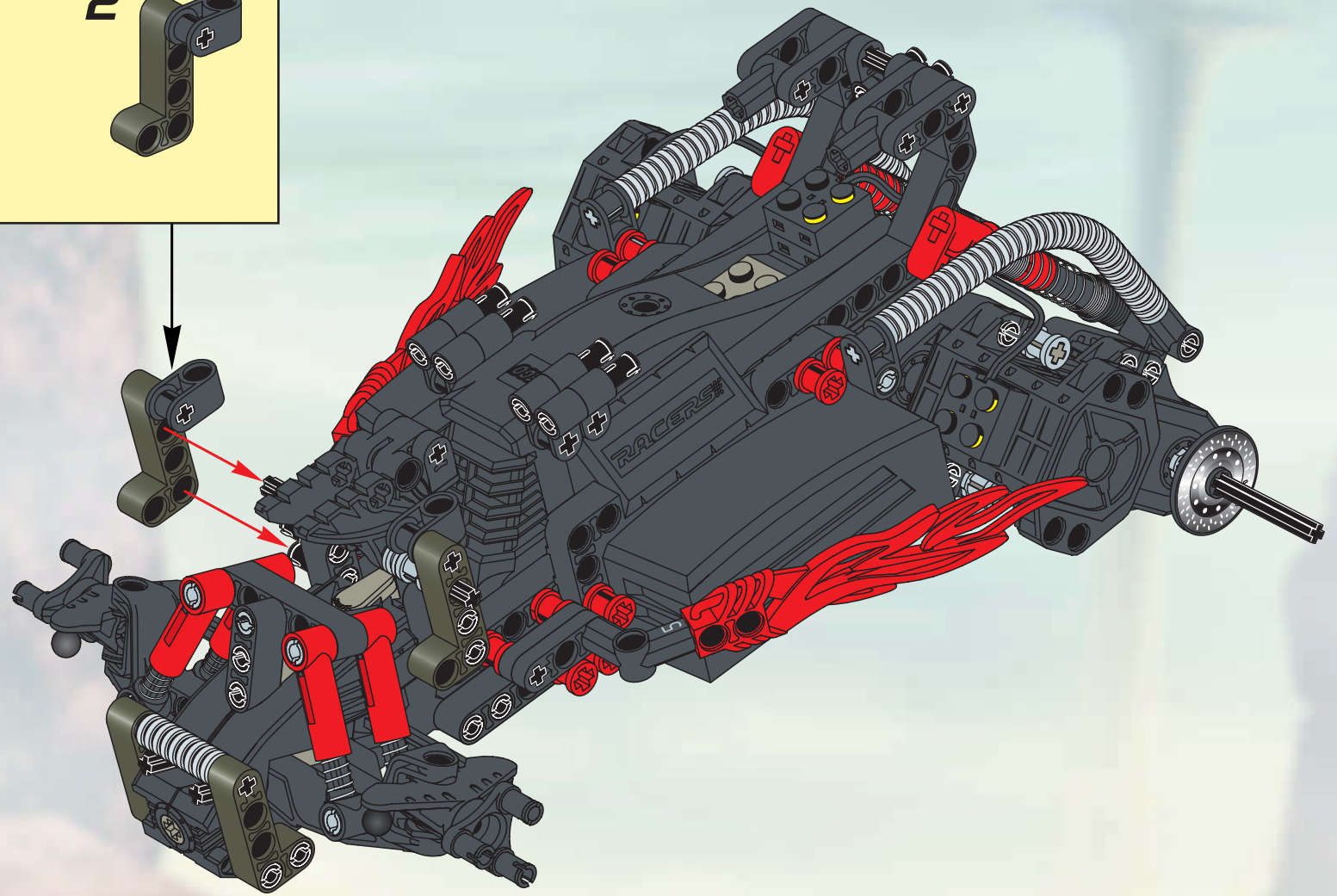
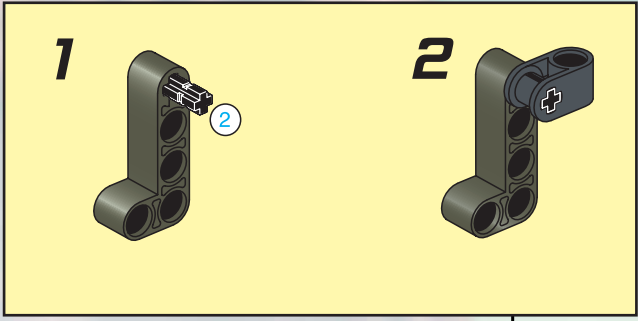
# 24

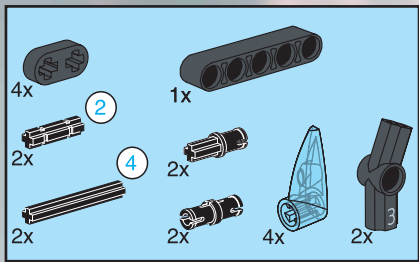




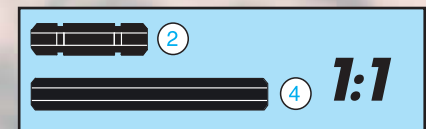
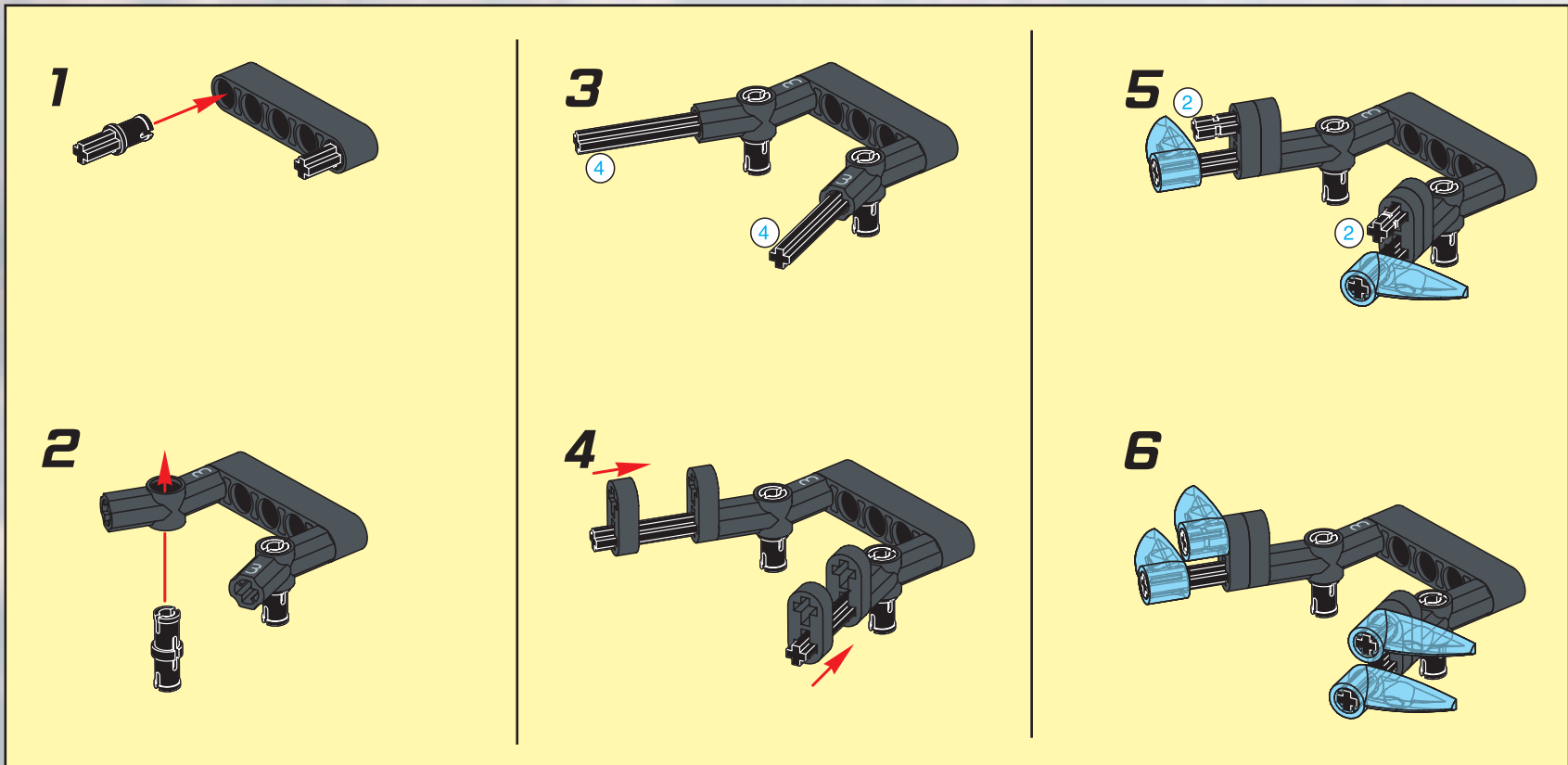


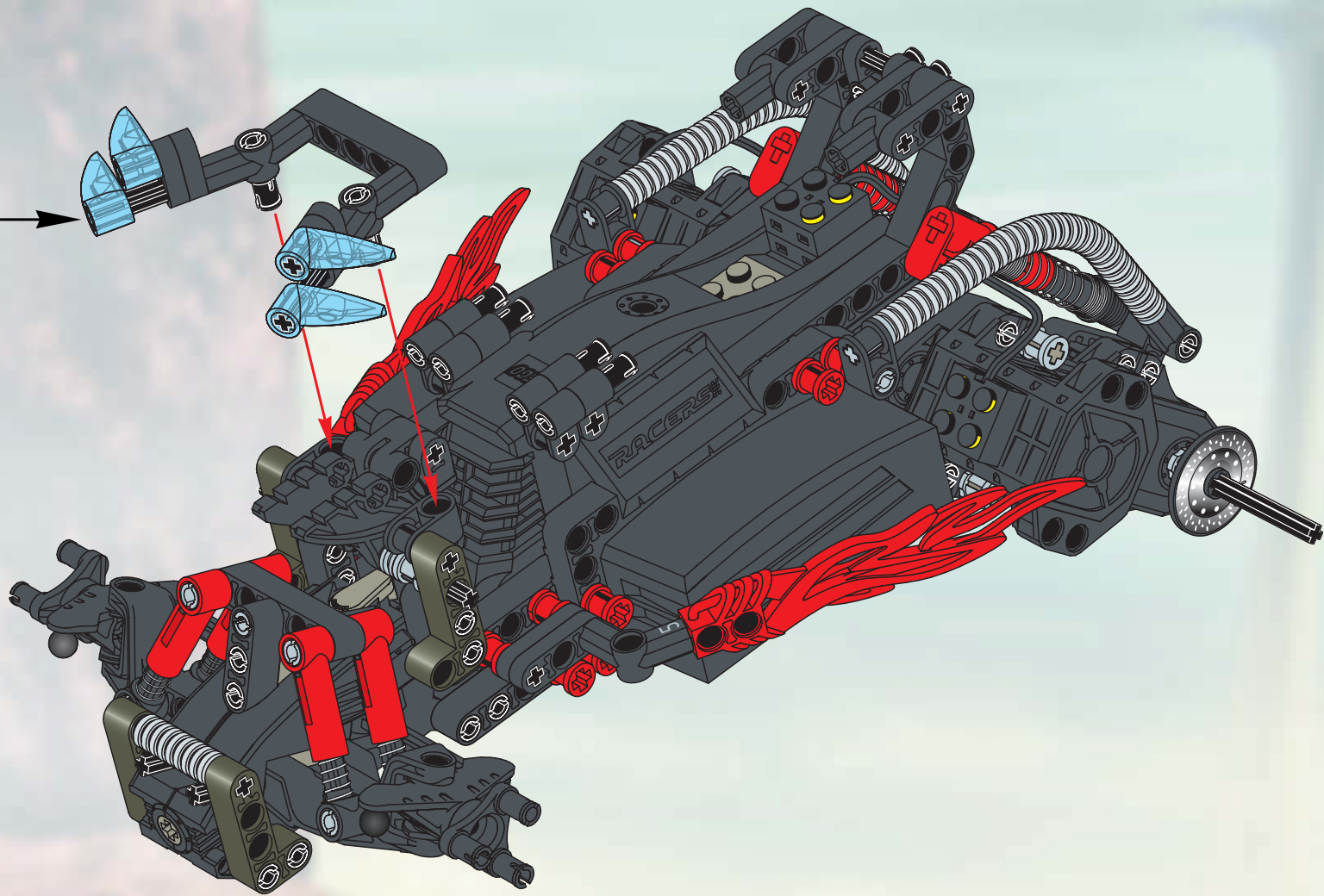
# 25

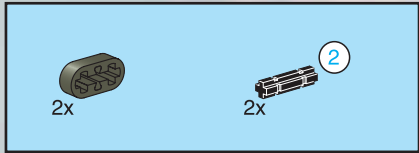
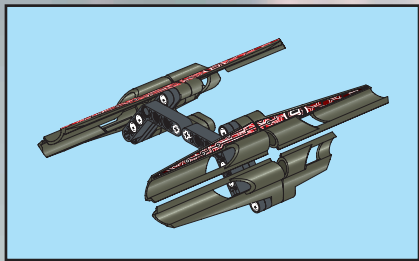




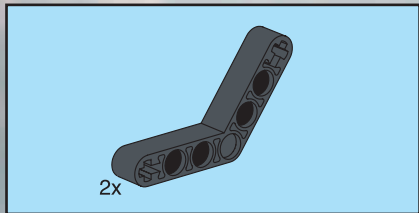
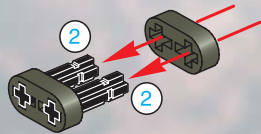
**26**



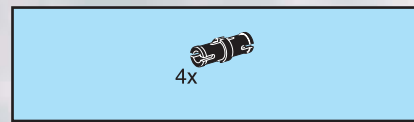
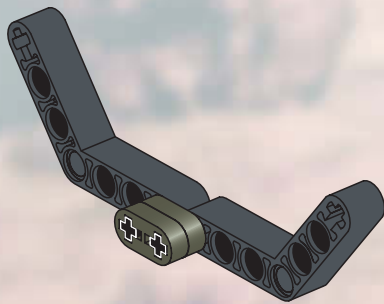




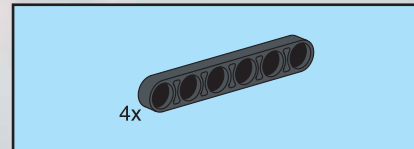
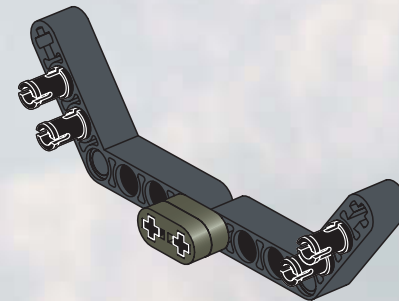
1



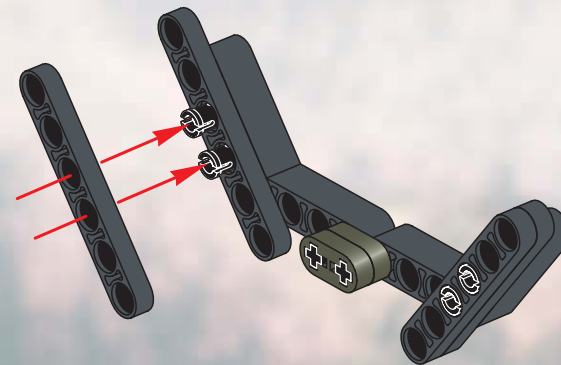
2

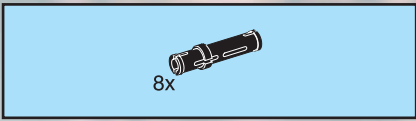


3

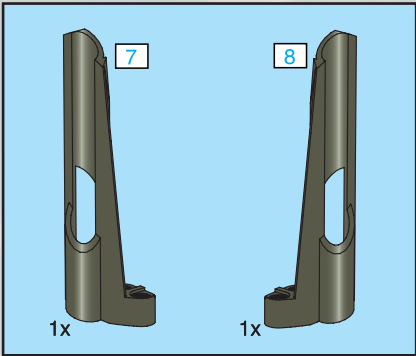
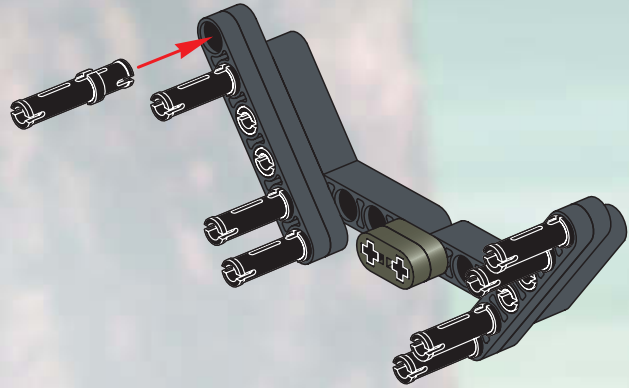


4

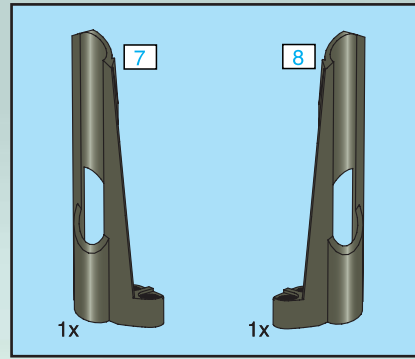
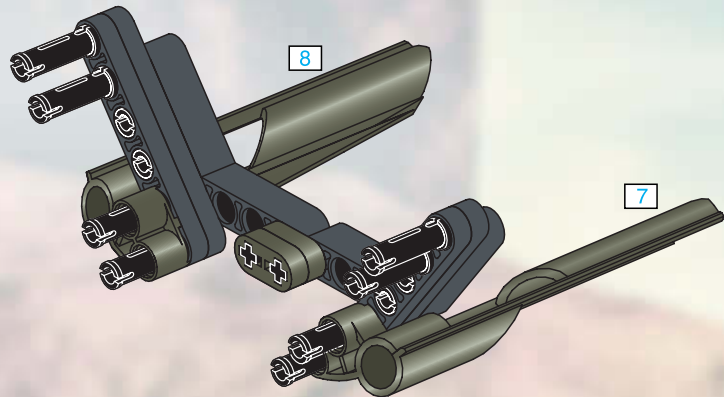




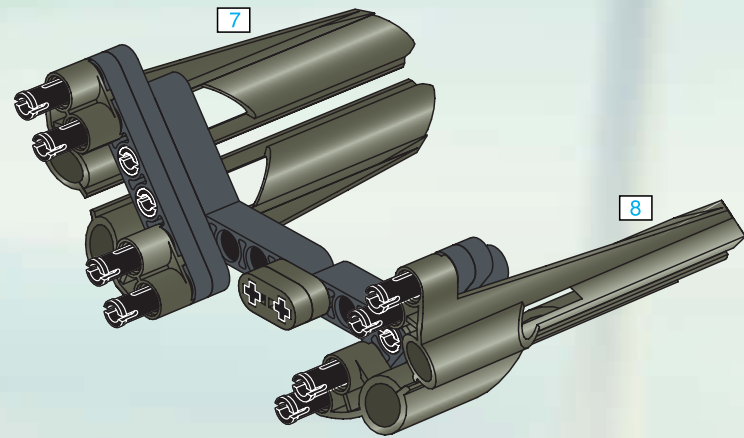
5

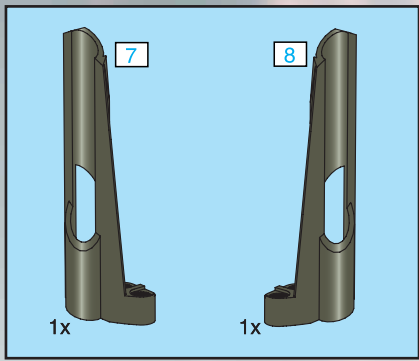


6

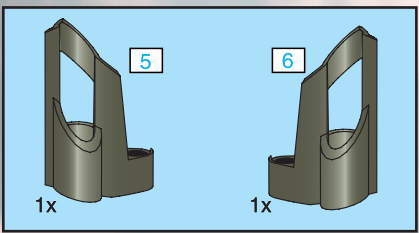
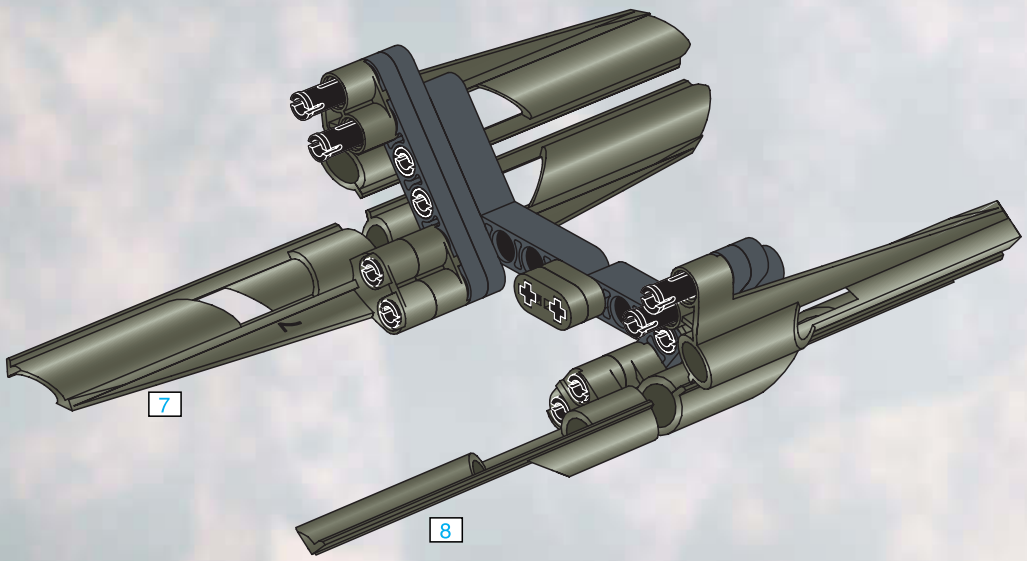


7

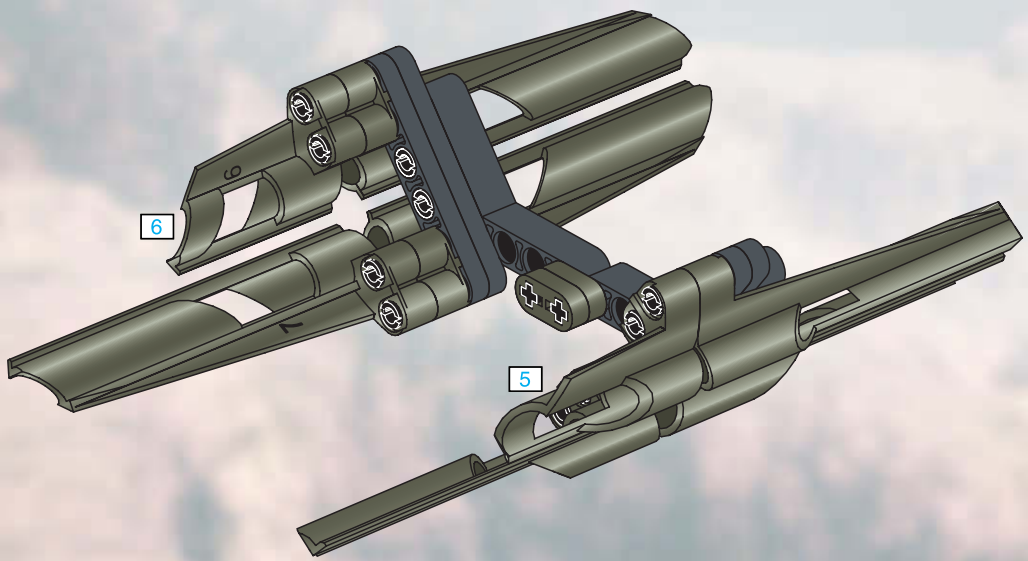




8

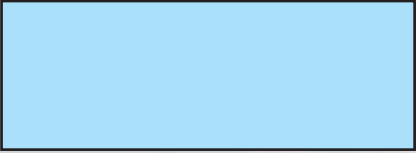
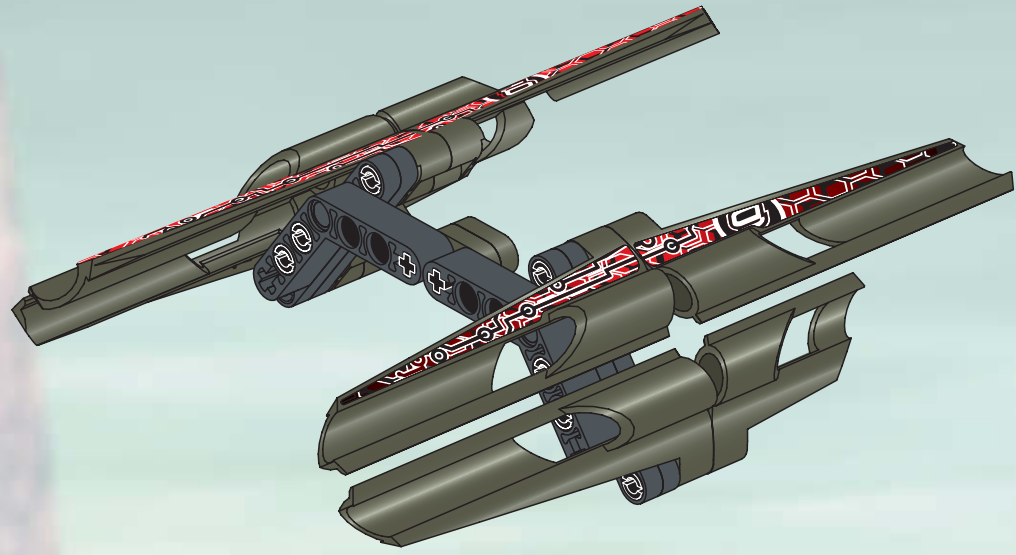


9

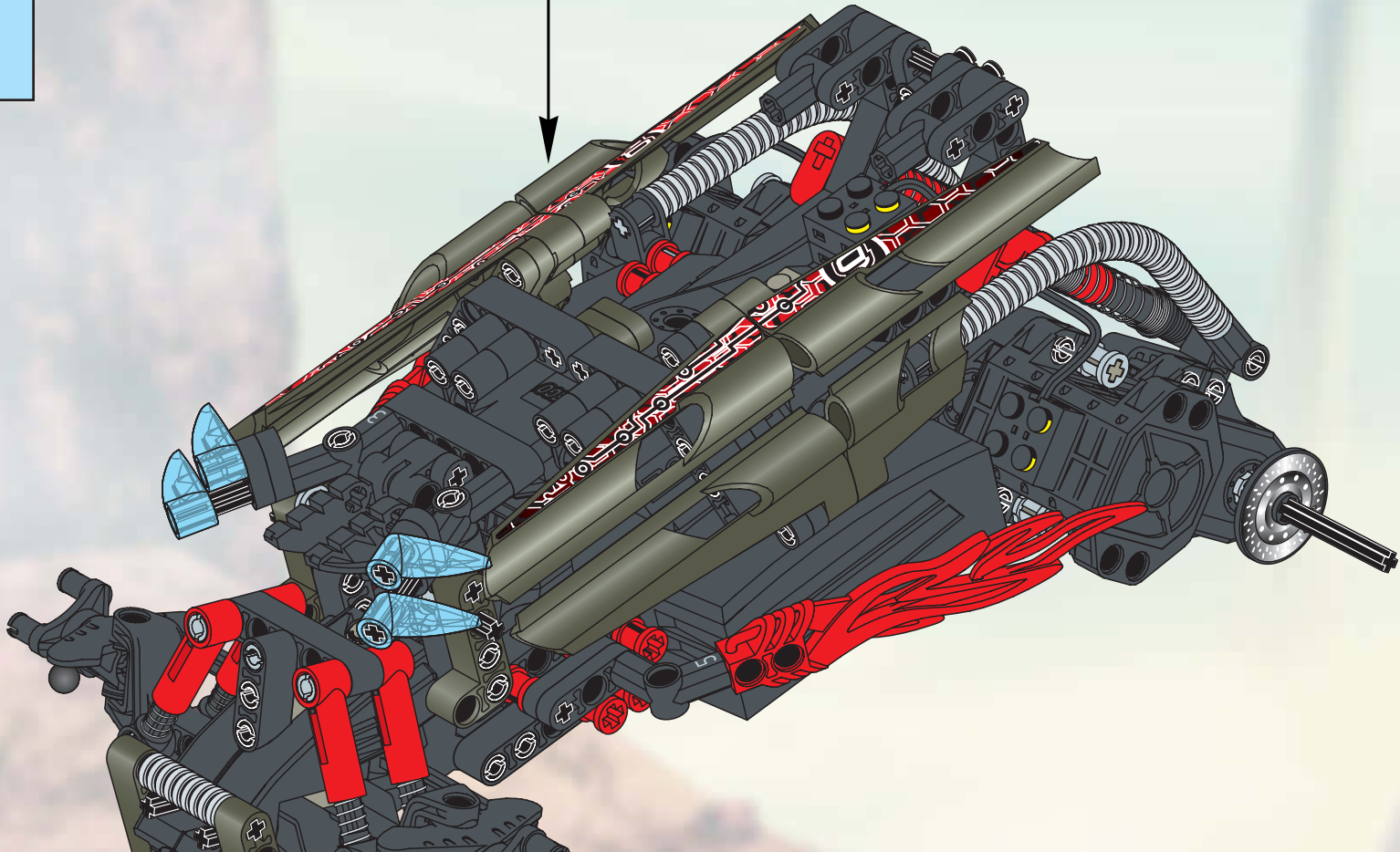


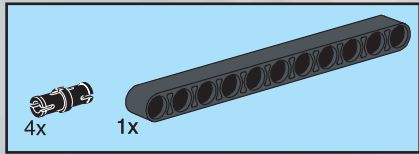
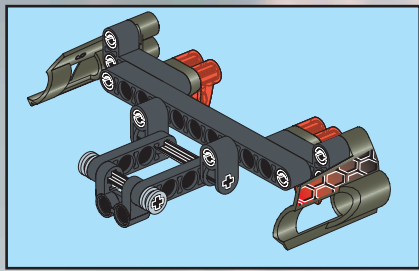


10

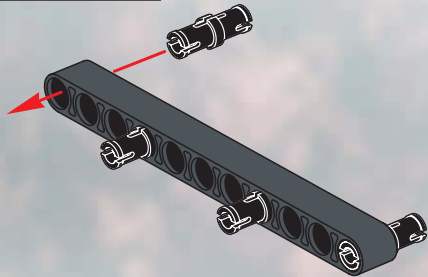


27

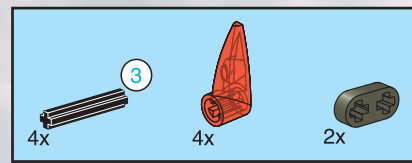
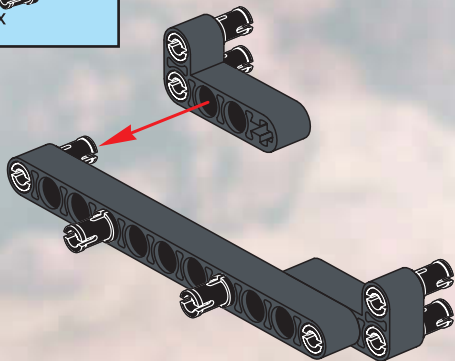




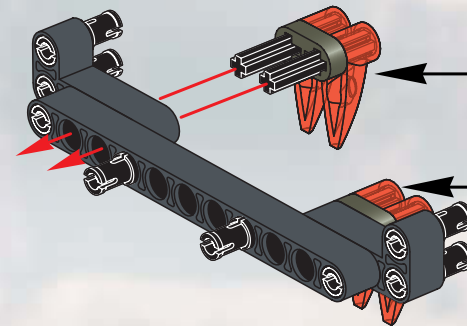
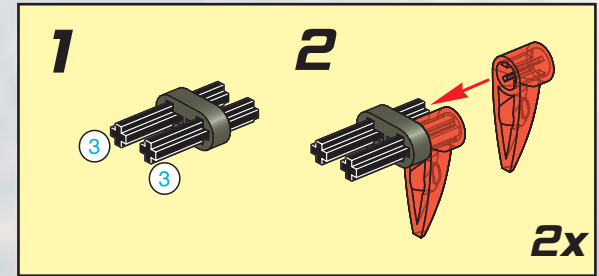
1



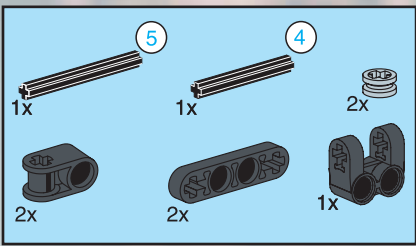
2



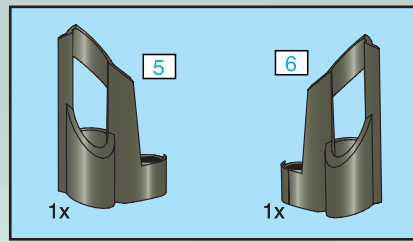
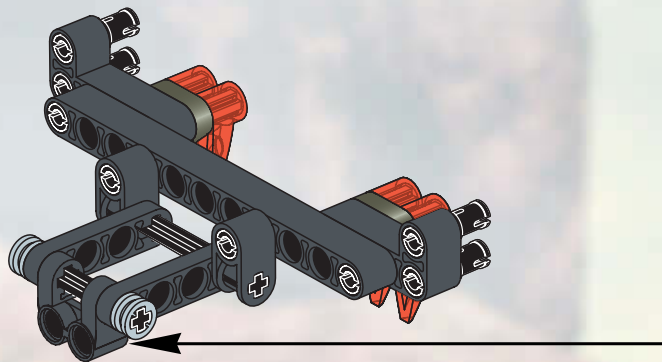
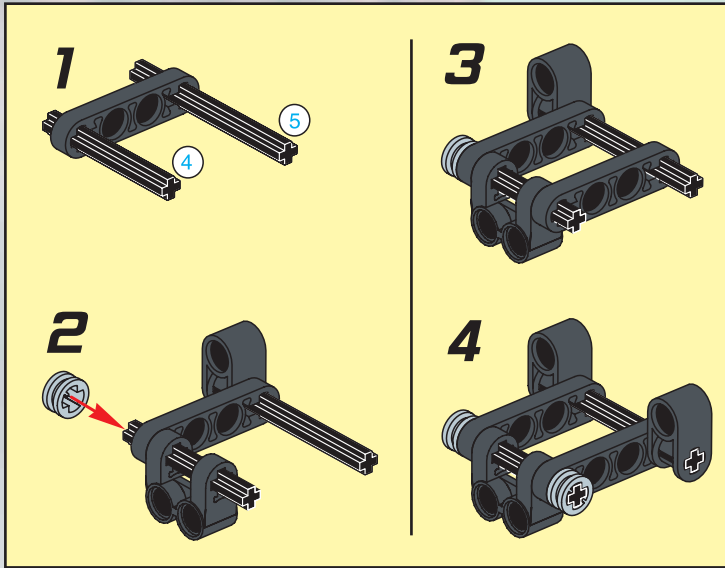
3



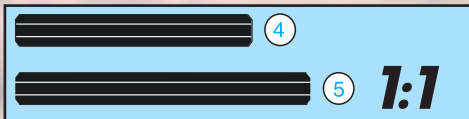
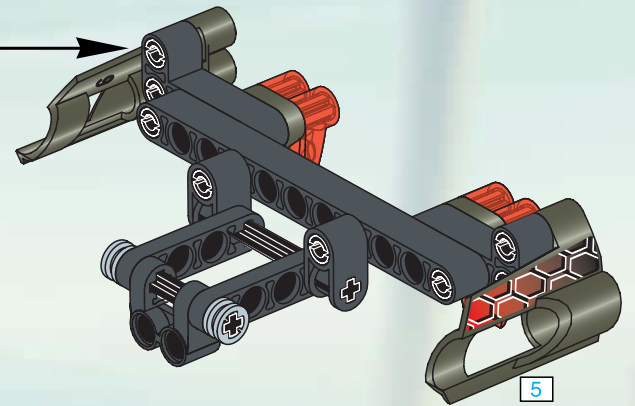
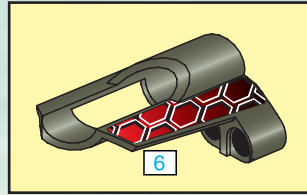


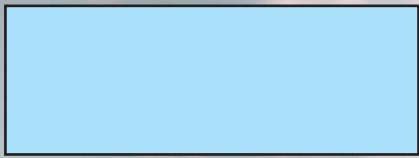


**4**

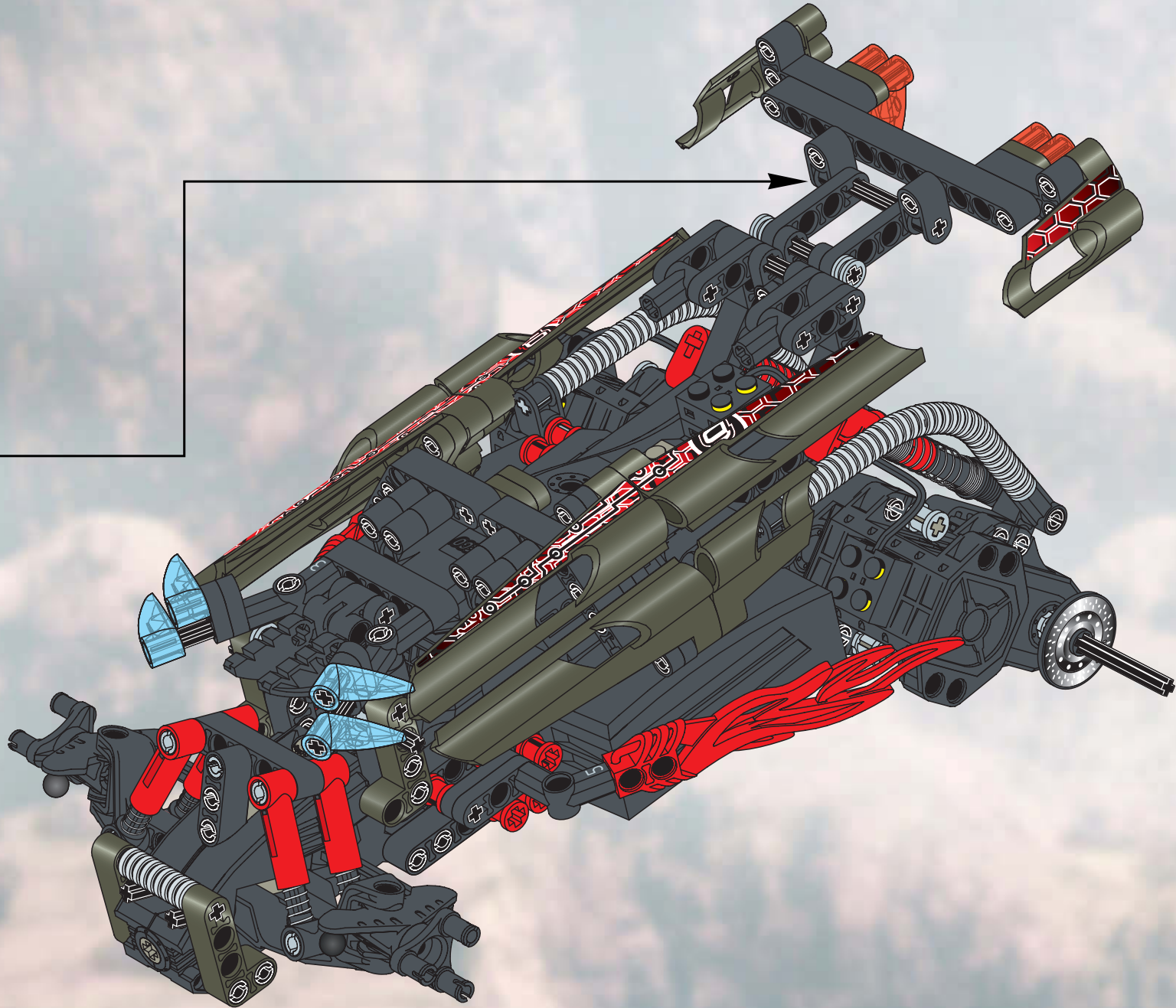


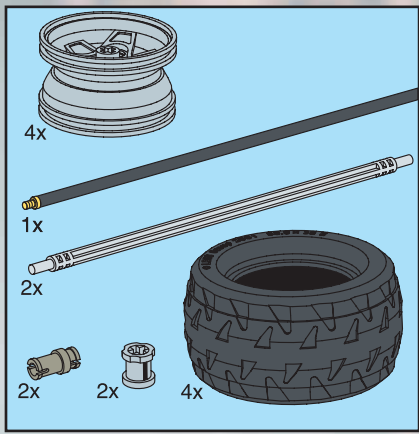
**5**





**28**





**29**





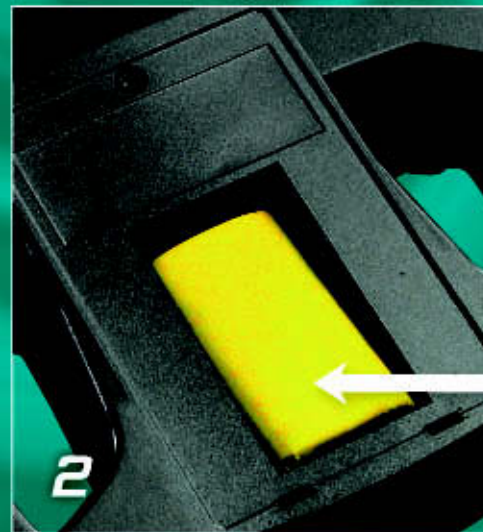


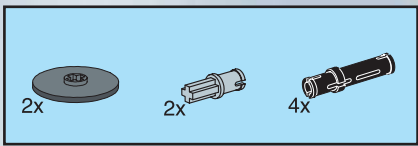


6x

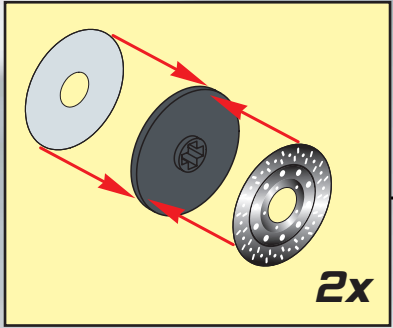
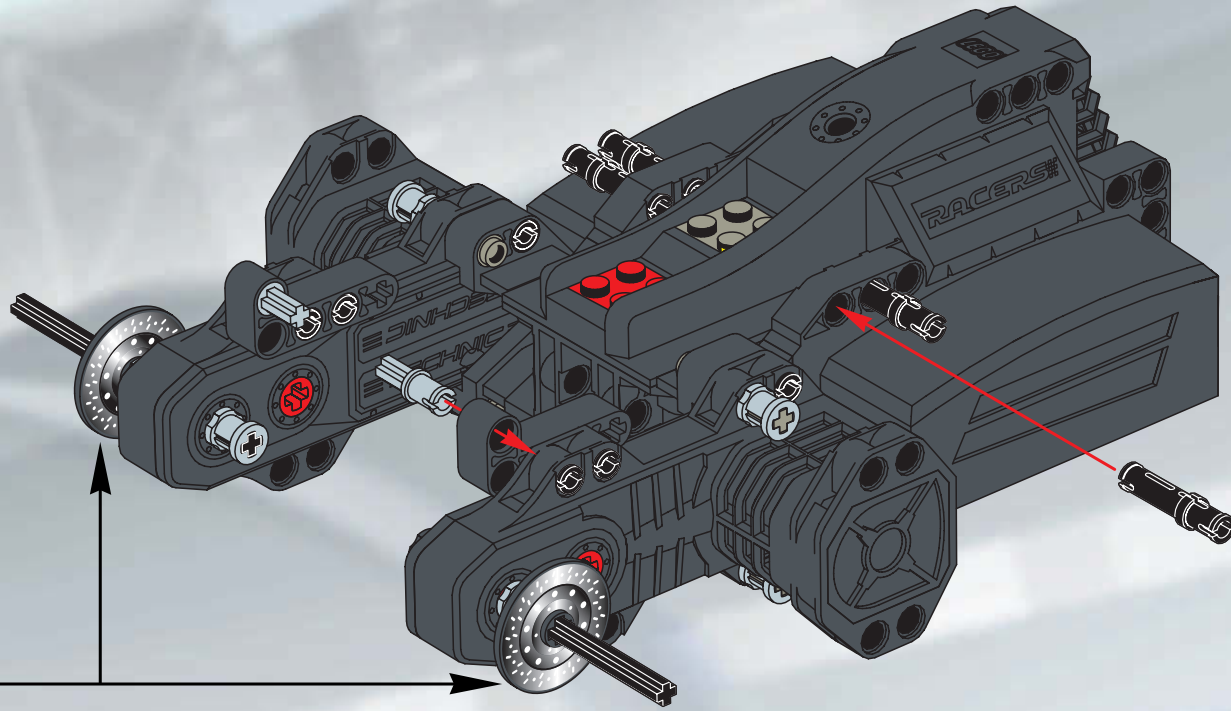


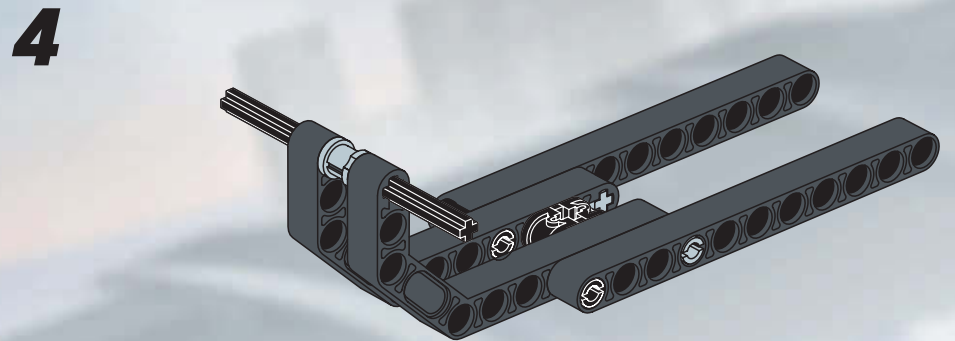
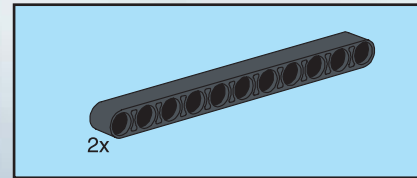
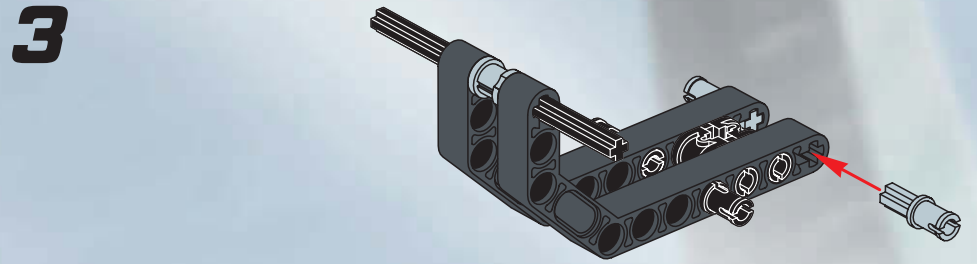
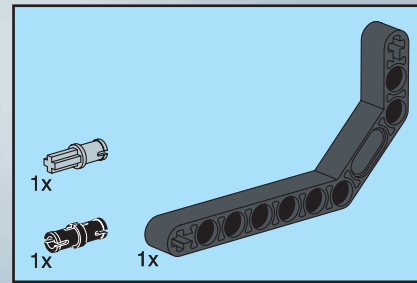
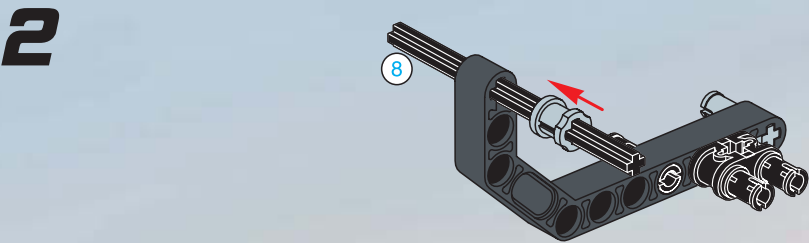
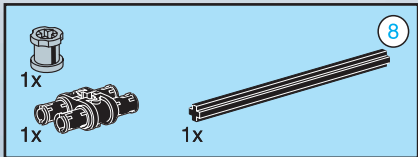
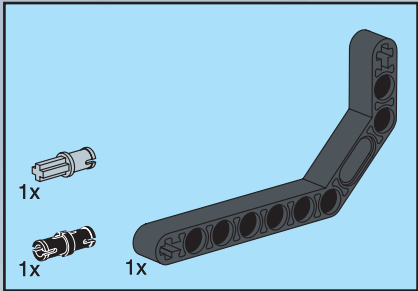
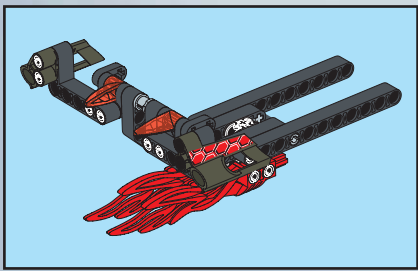
1x



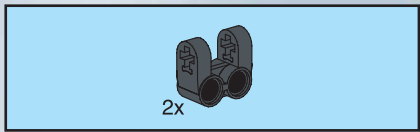


5

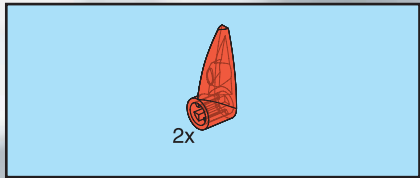
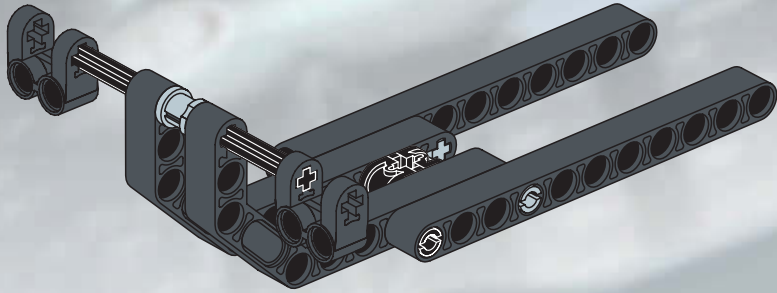




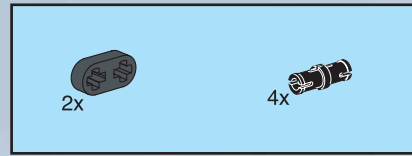
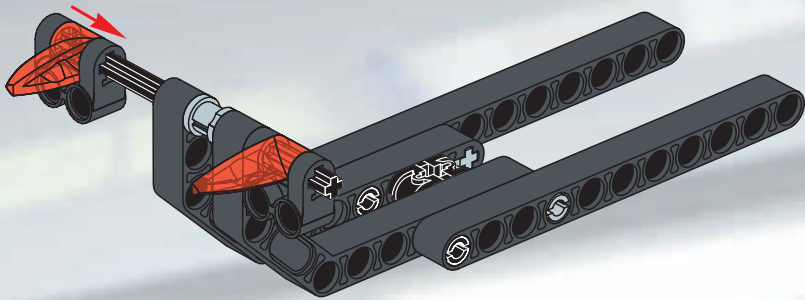




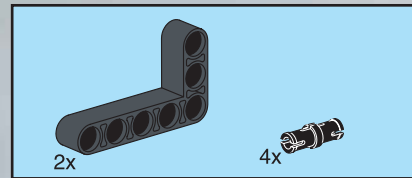
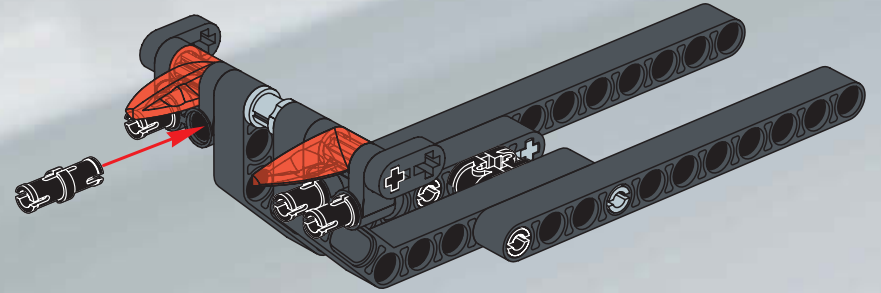
5



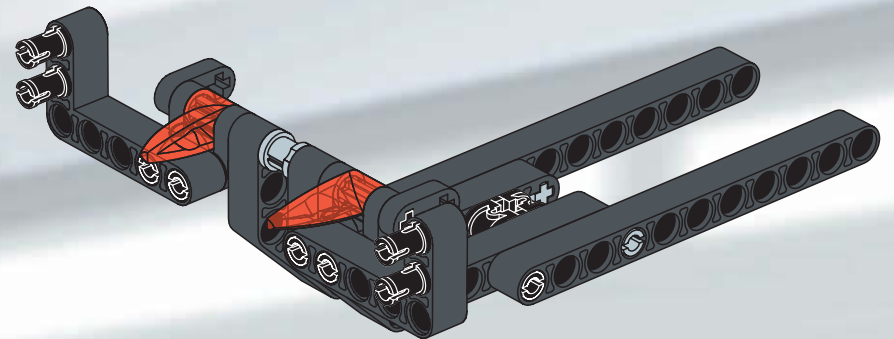
6

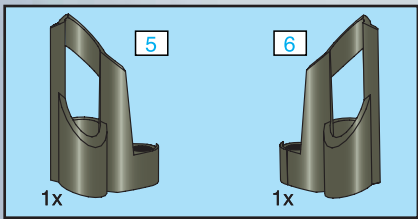


7

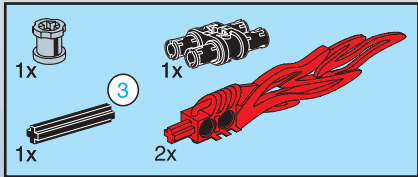
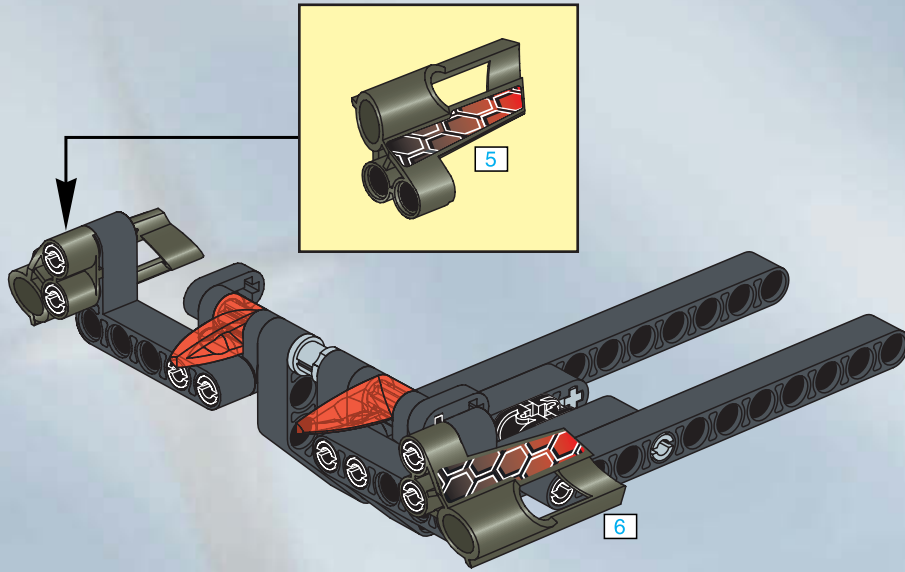


8

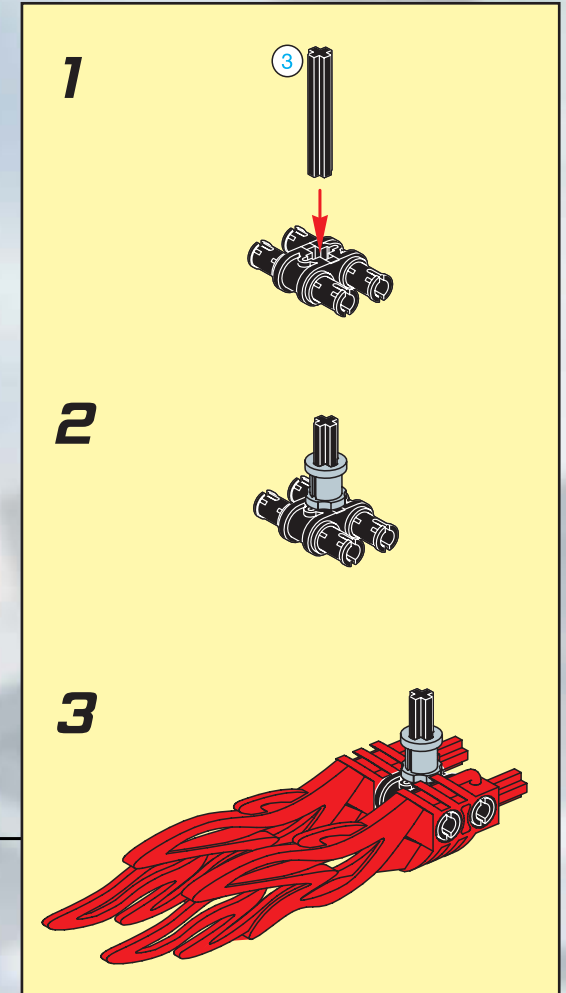
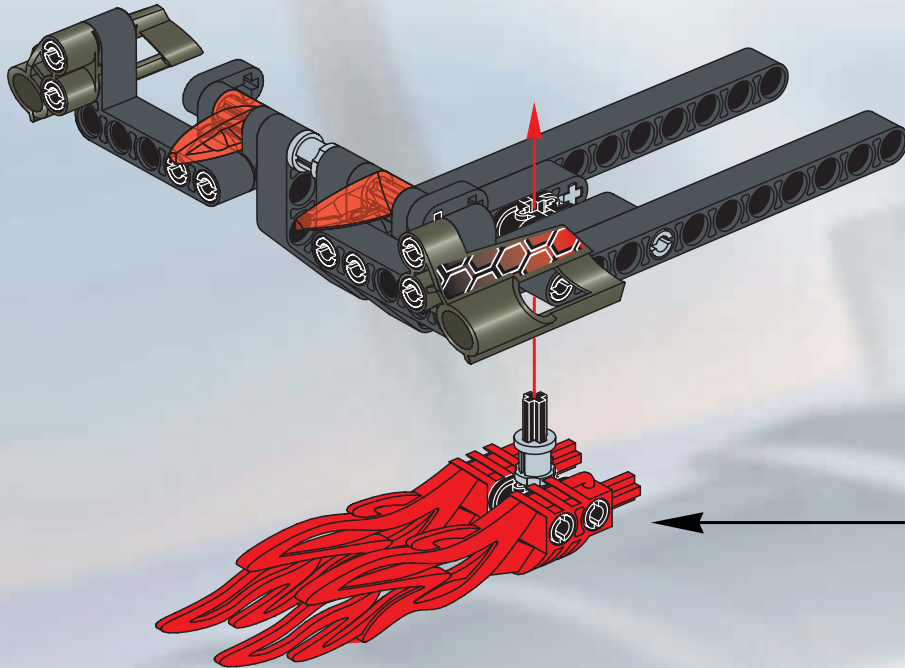


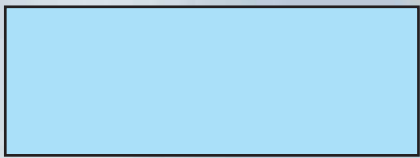


9



10





6

