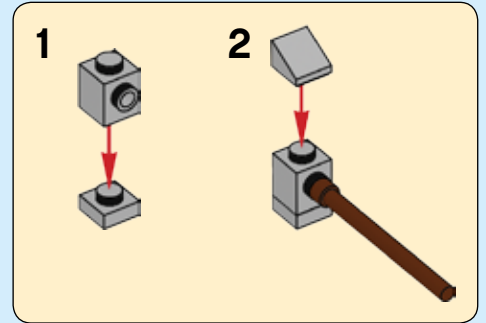
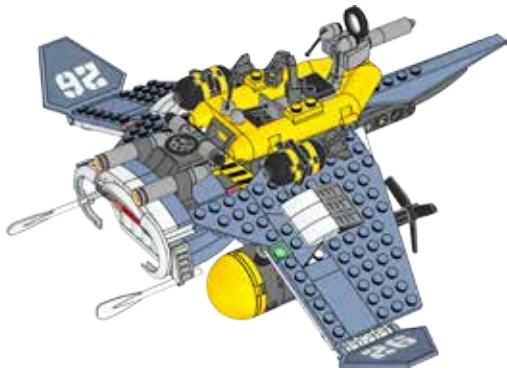
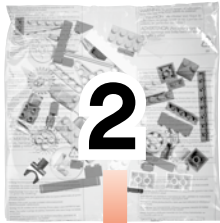


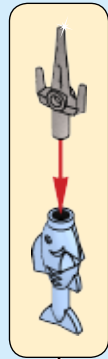
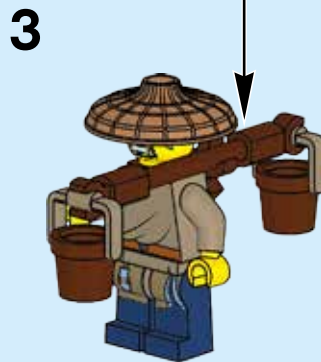
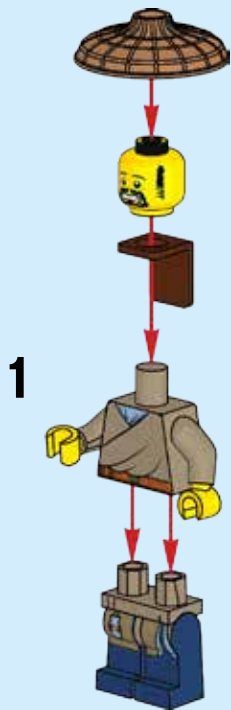
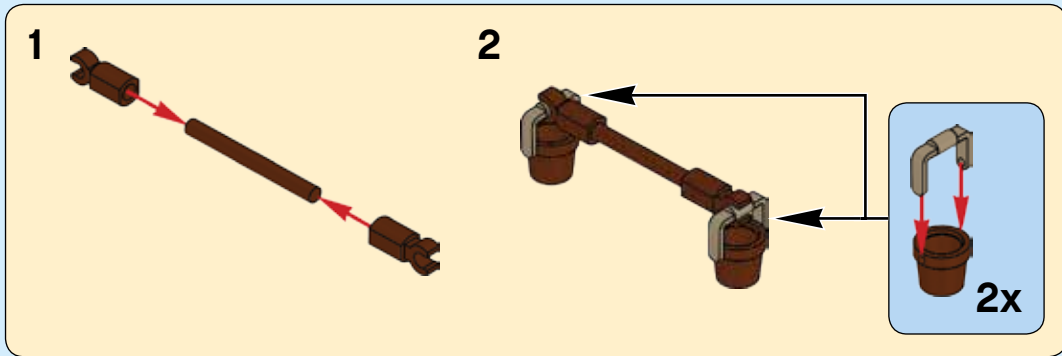


THE NINJAGO MOVIE

70609



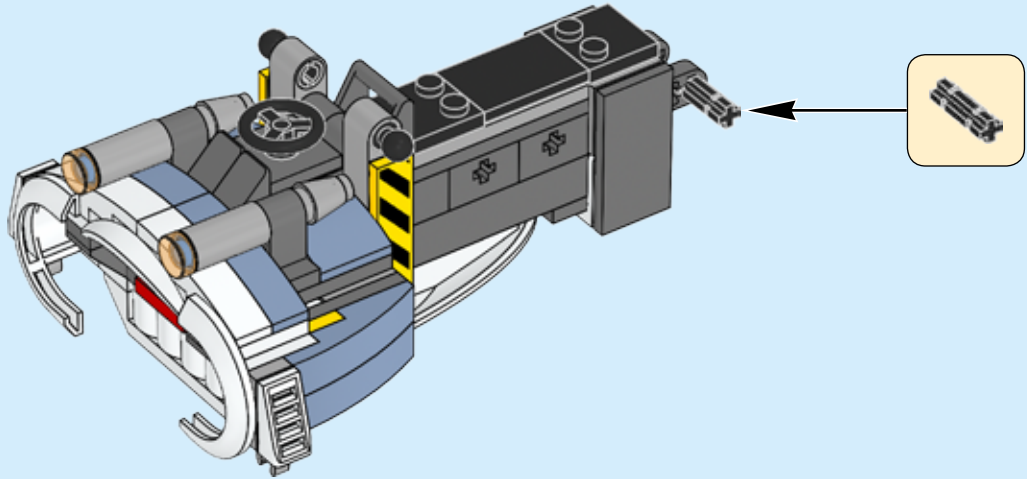


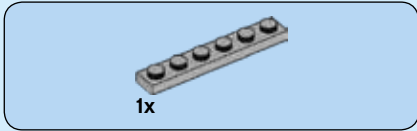
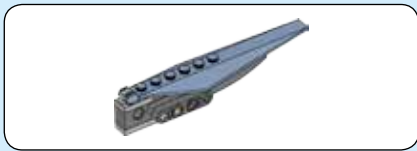




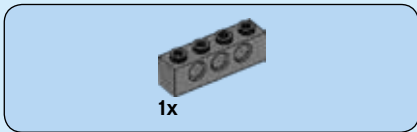
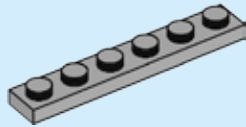
1x

37

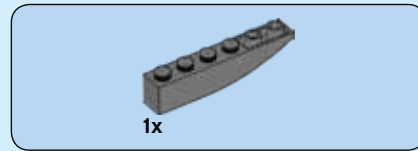
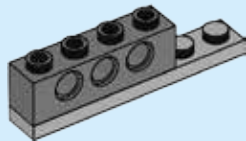




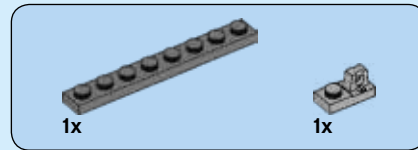
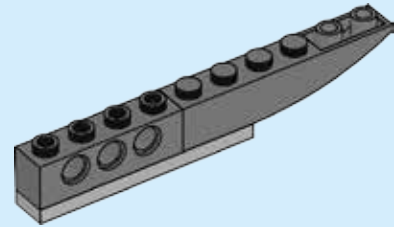
38



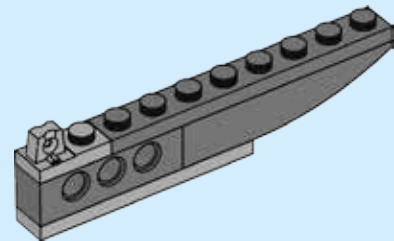
39

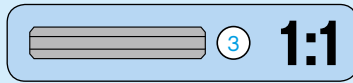
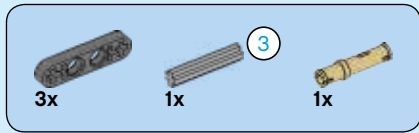


40

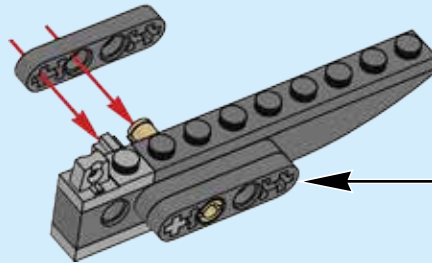
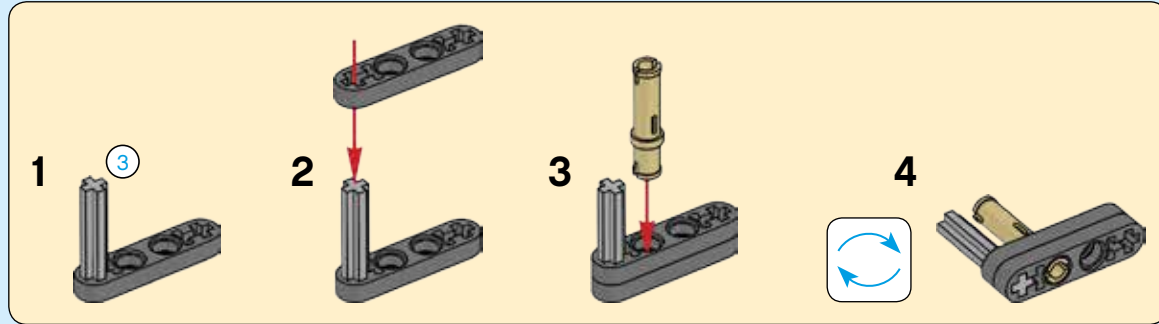


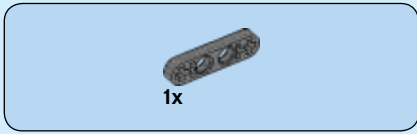
41



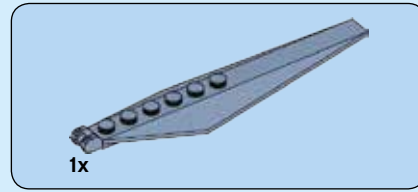
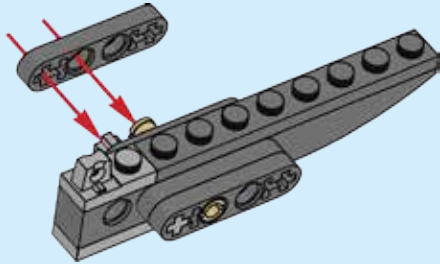


42

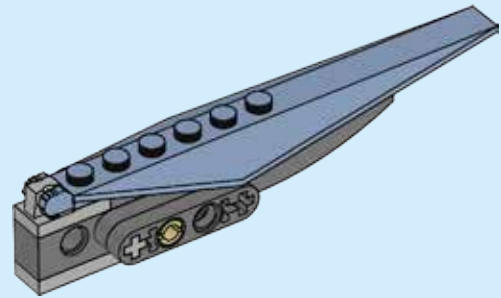




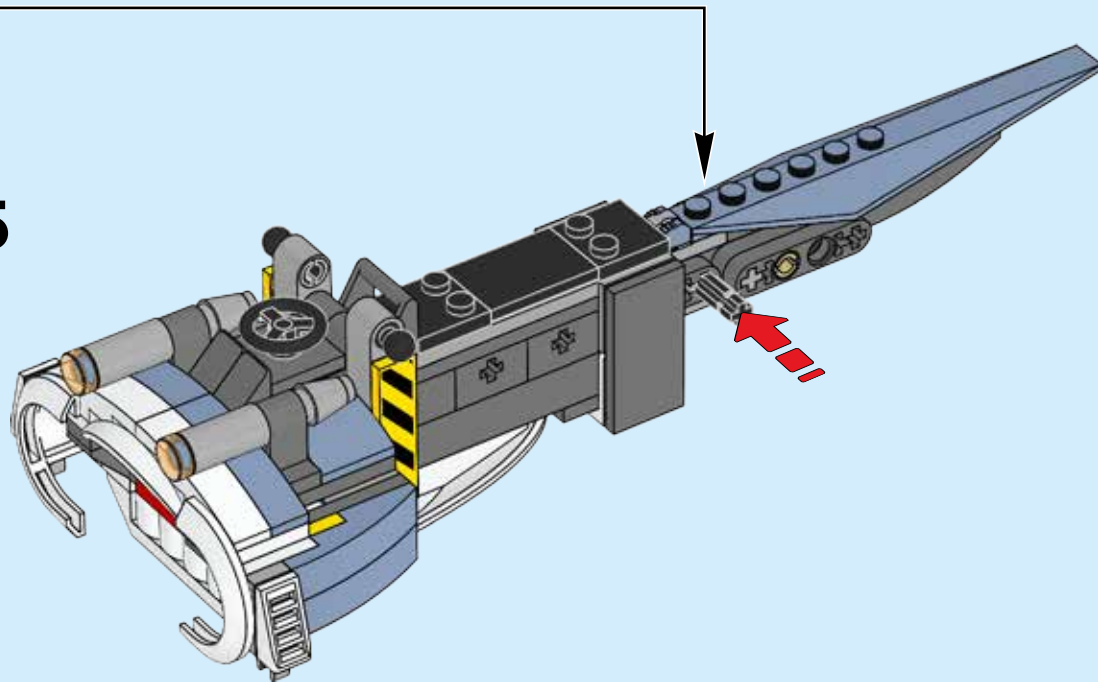
43

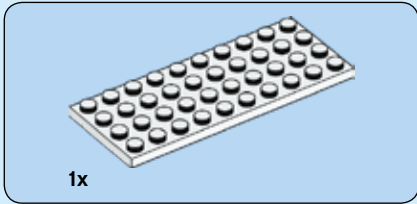
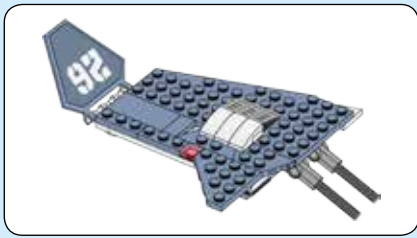


44



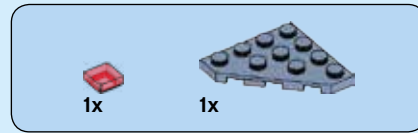
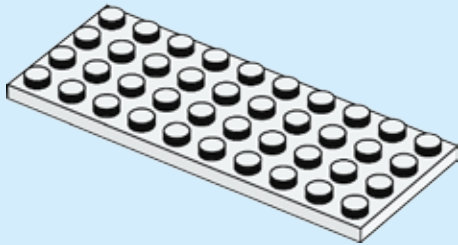
45



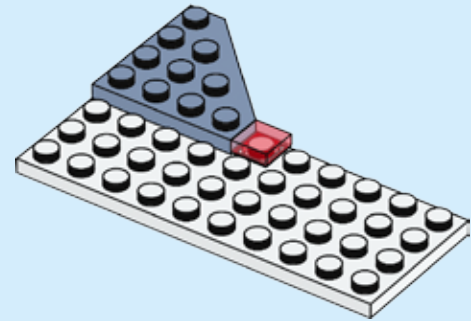


1x

46



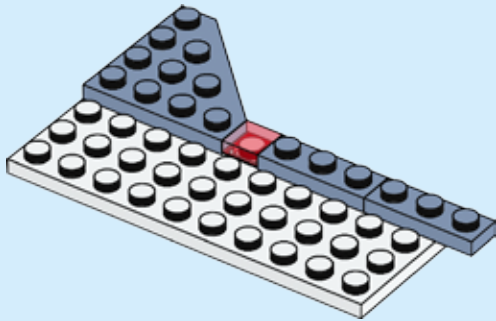
47





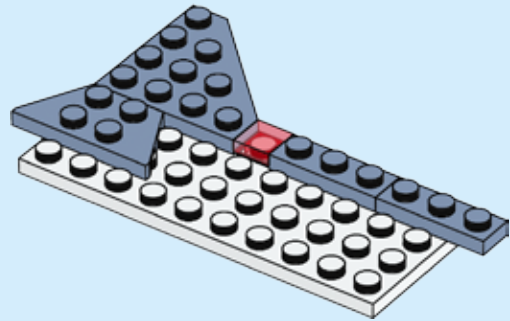
2x

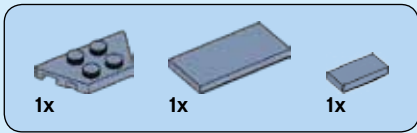
48



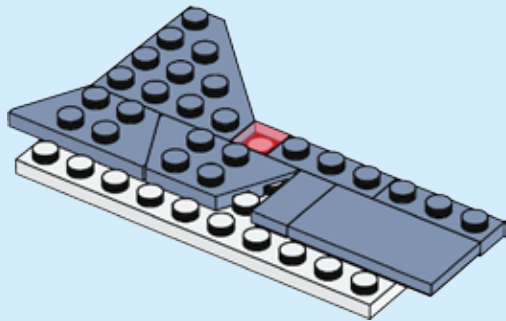
1x

49

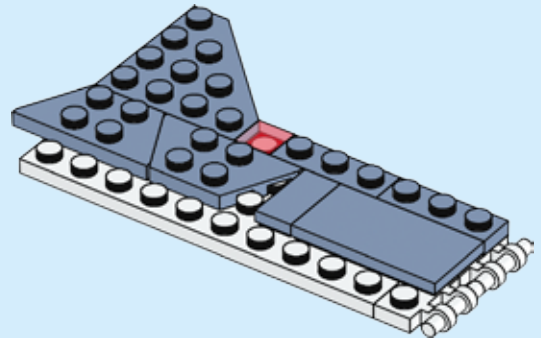


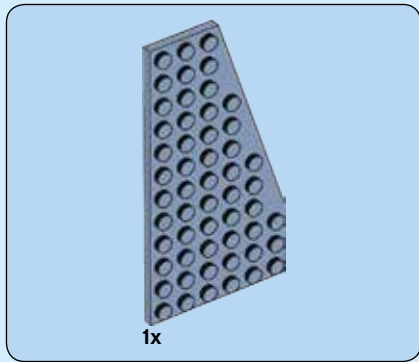


50

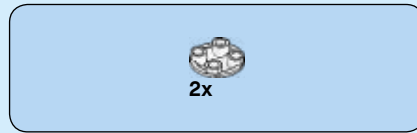
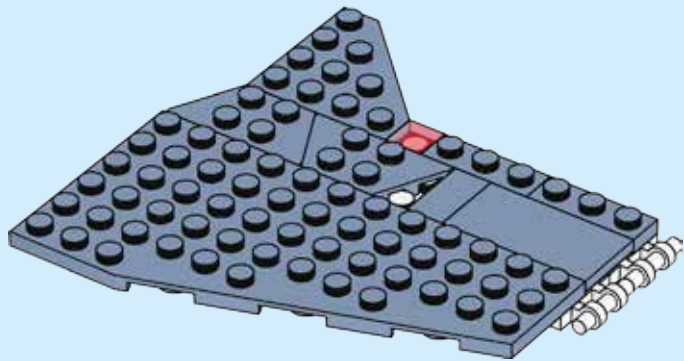


51

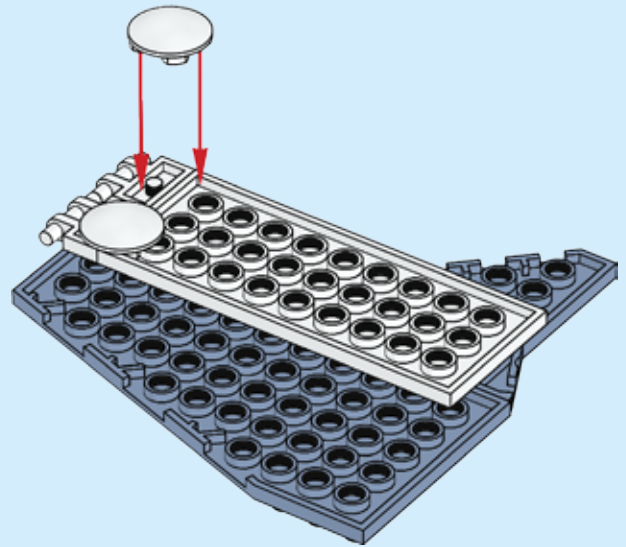
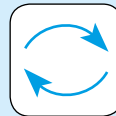


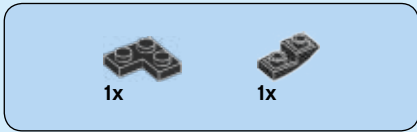


52

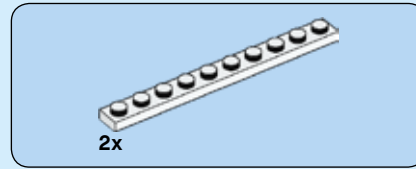
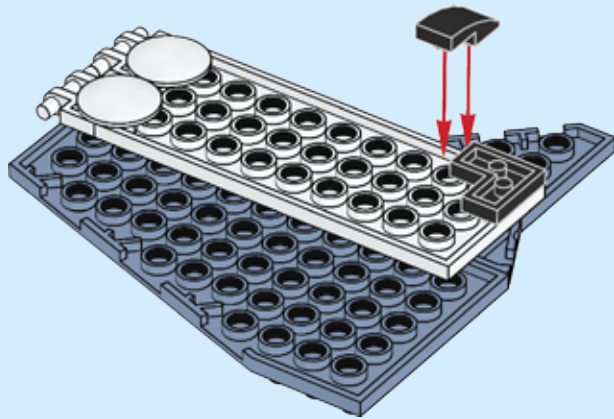


53

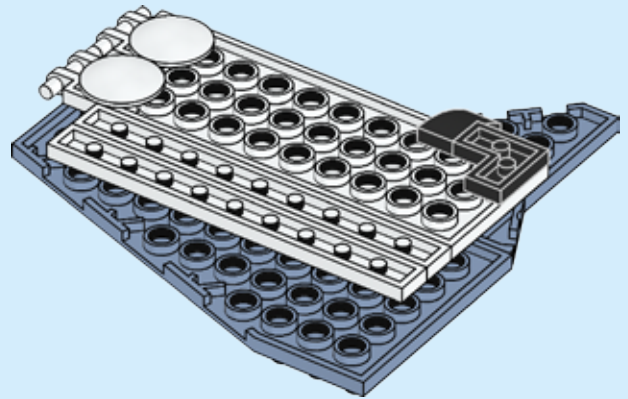


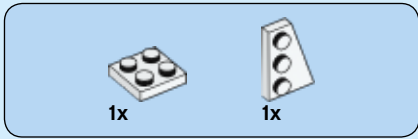


54

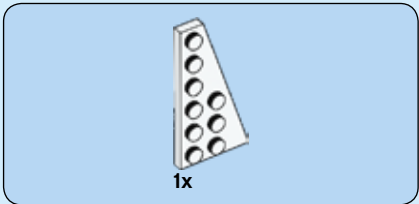


55

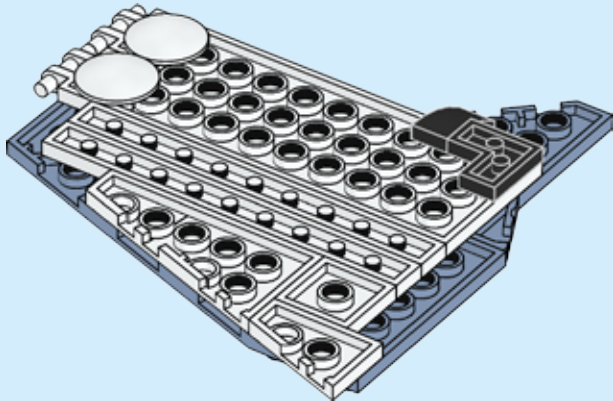
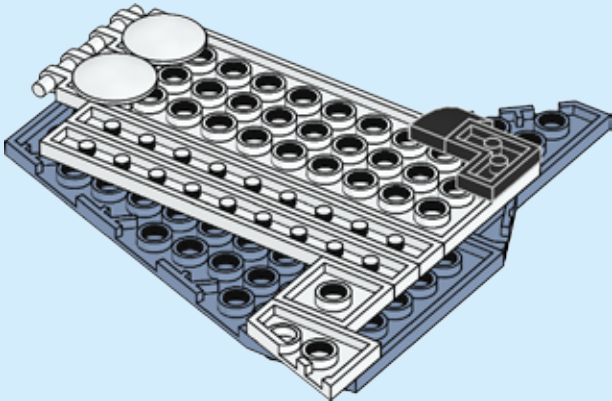




56



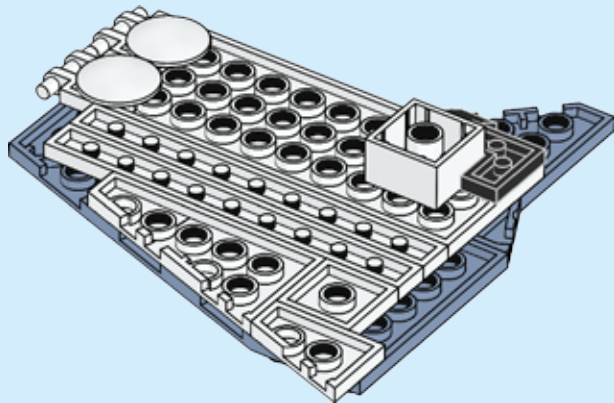
57





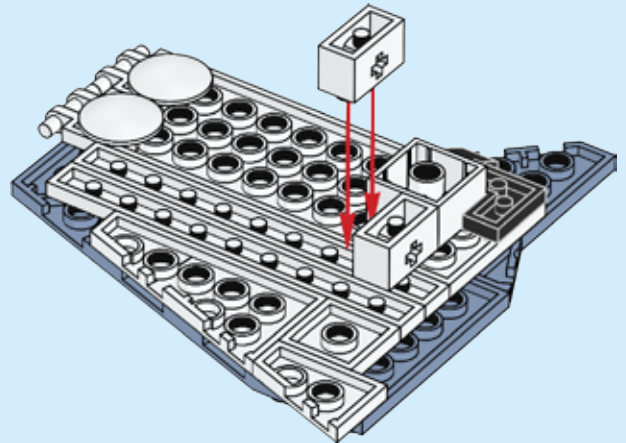
1x

58



2x

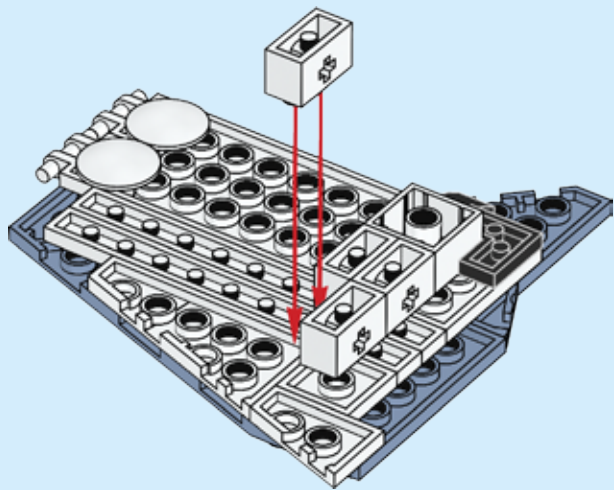
59





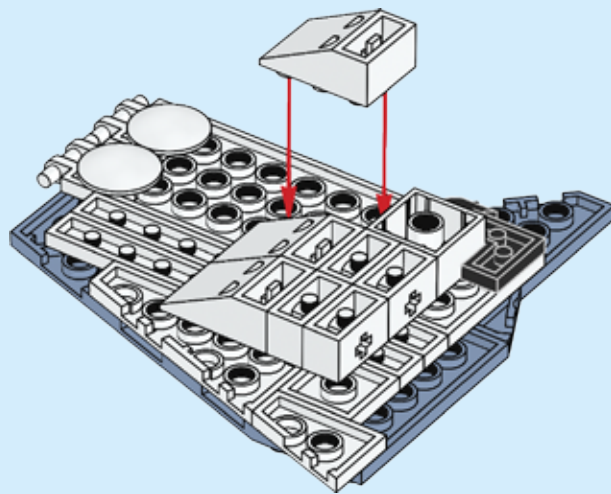
2x

60



3x

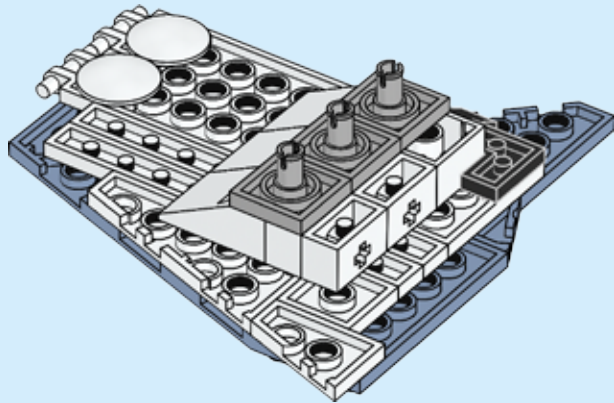
61





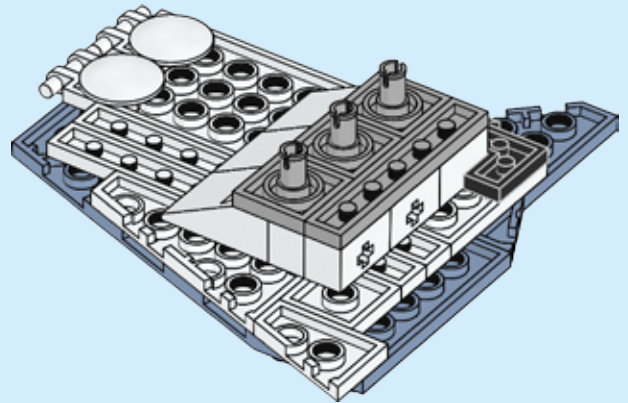
3x

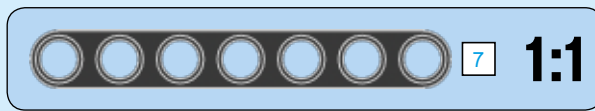
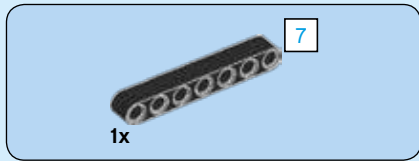
62



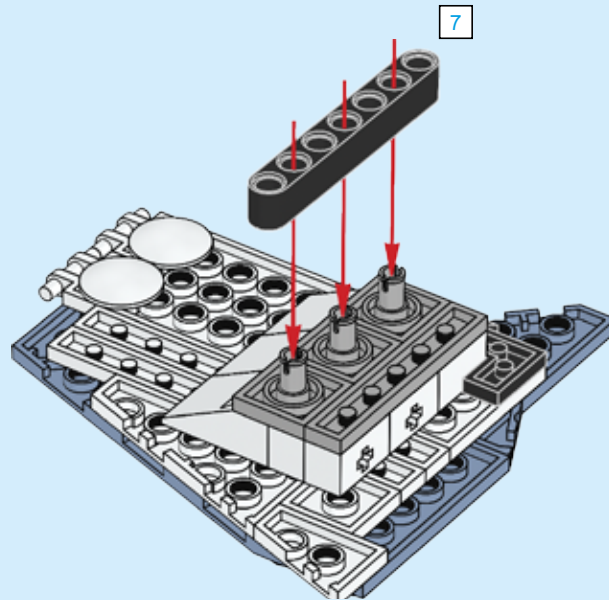
1x

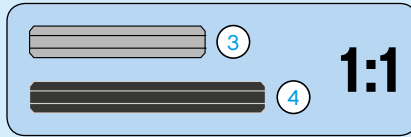
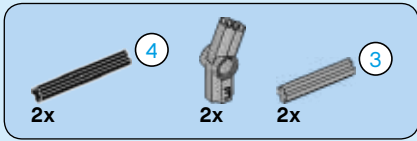
63



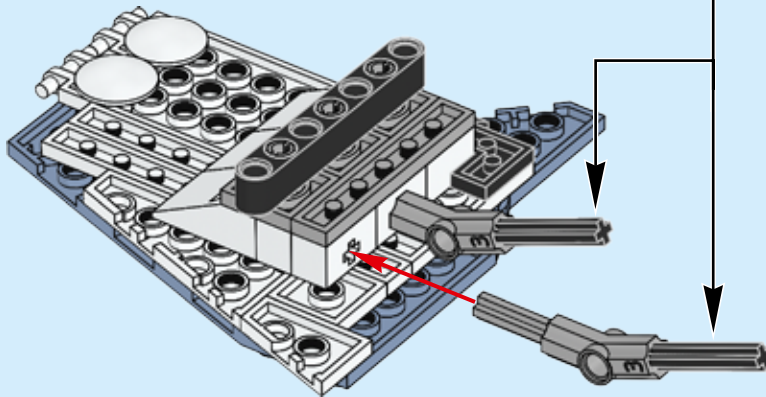
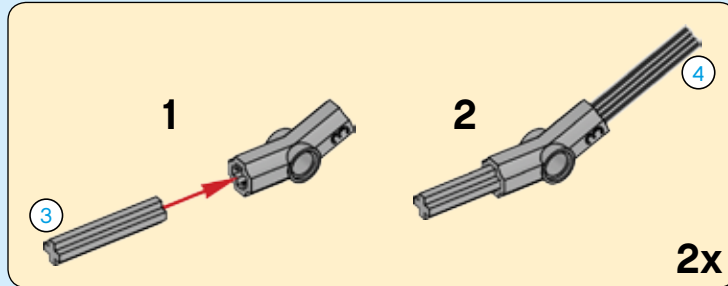


64





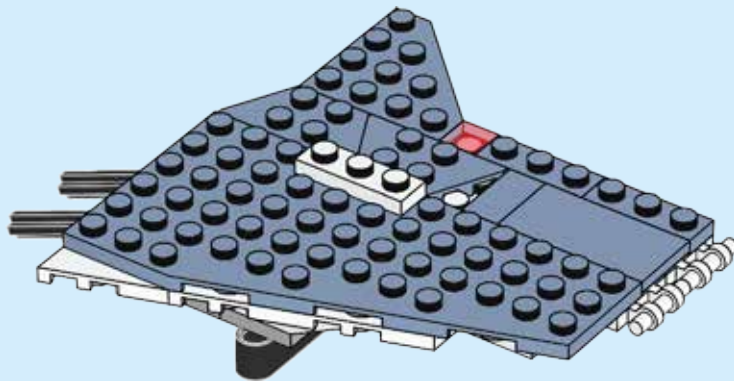
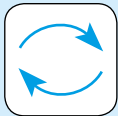
65





1x

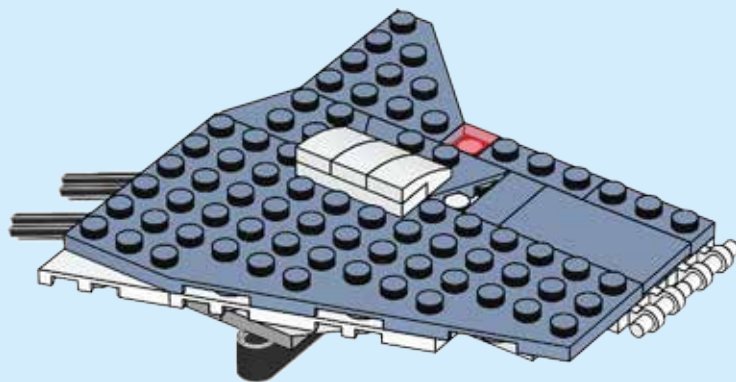
66





3x

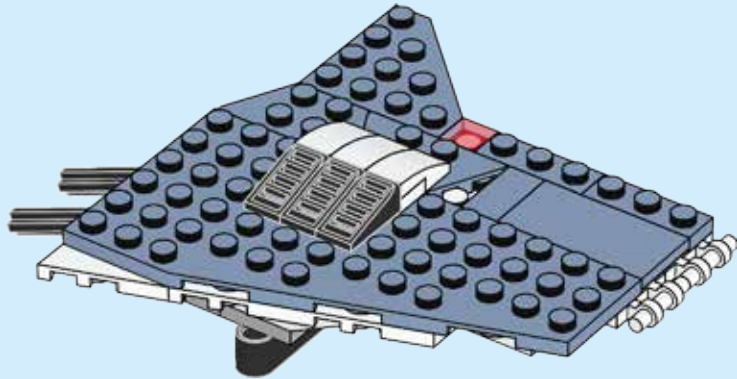
67

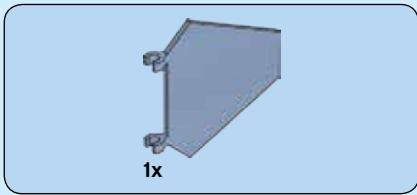




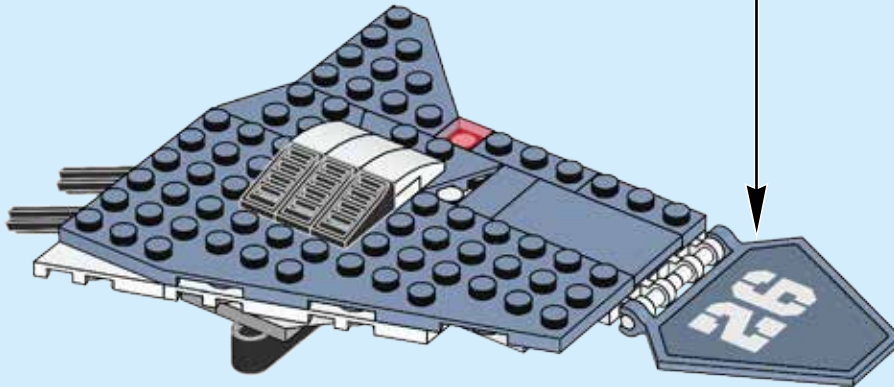
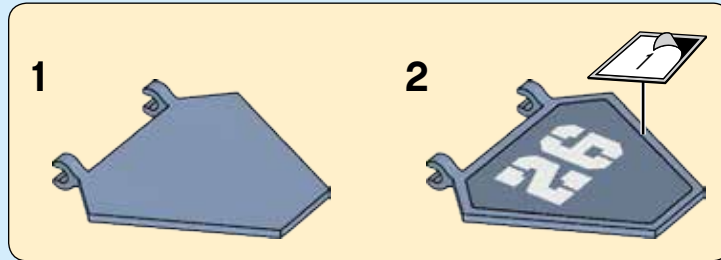
3x

68

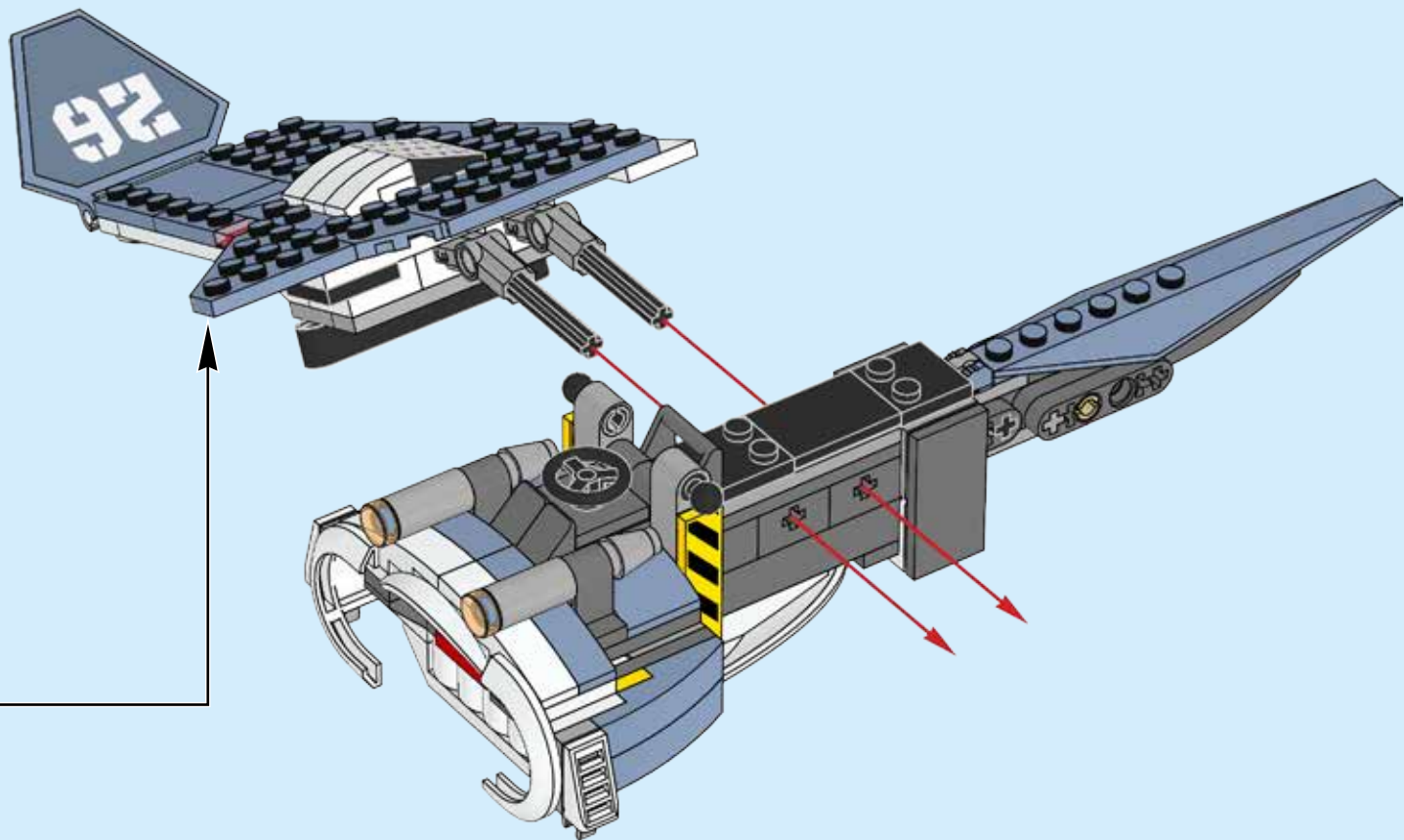


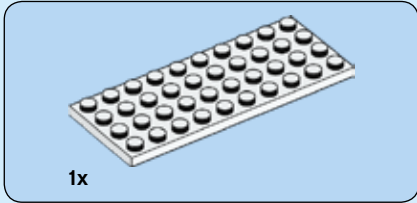
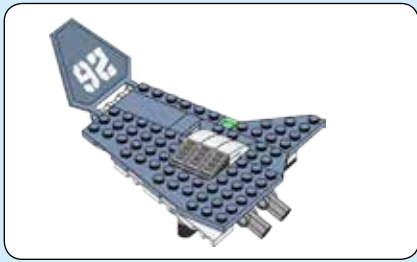


69

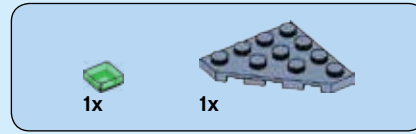
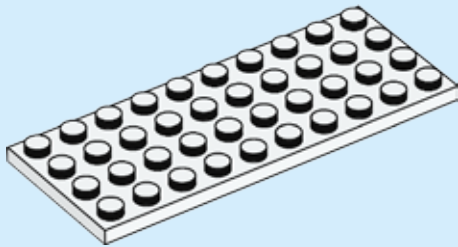


70

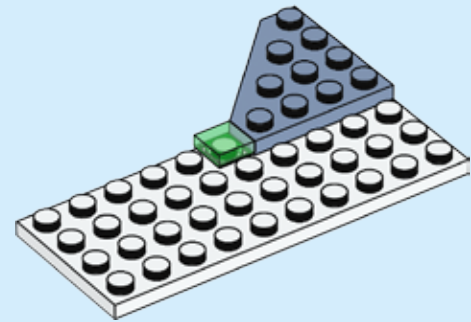


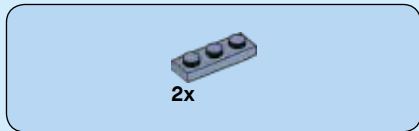


71

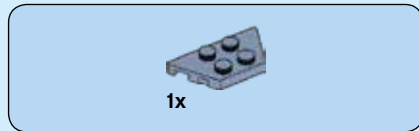
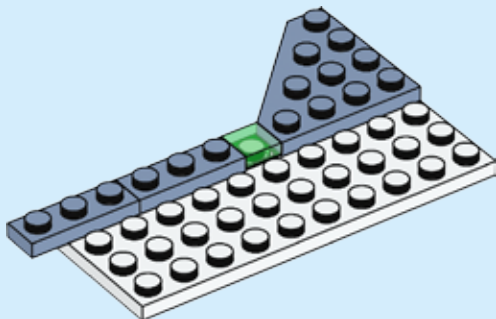


72

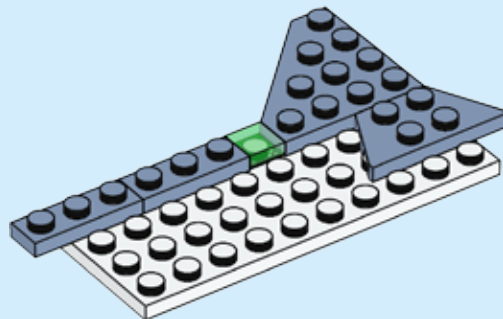


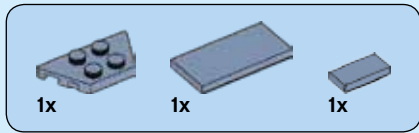


73

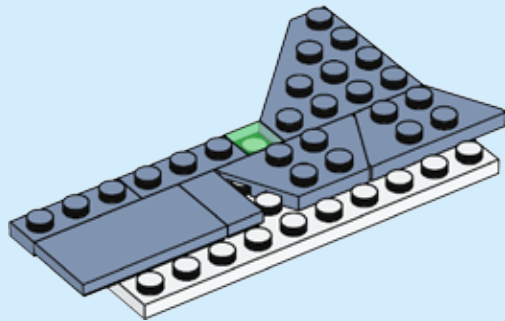


74

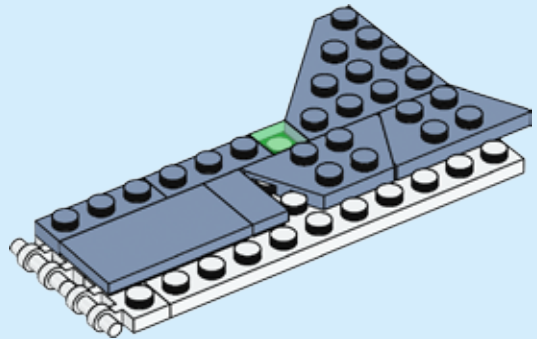


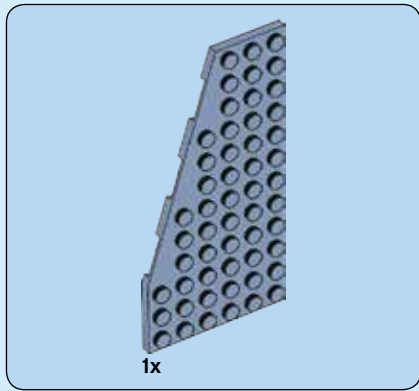


75



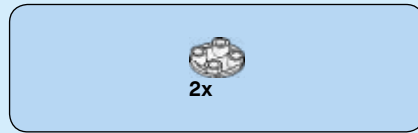
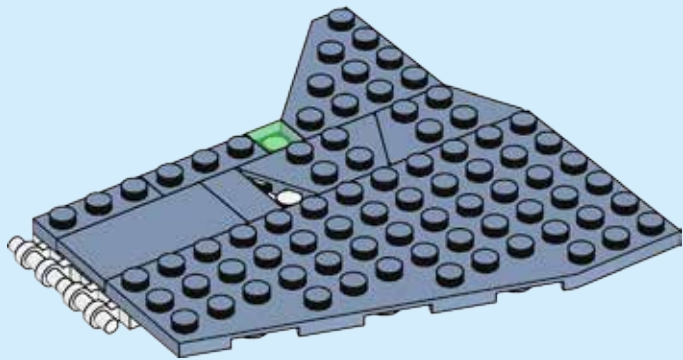
76





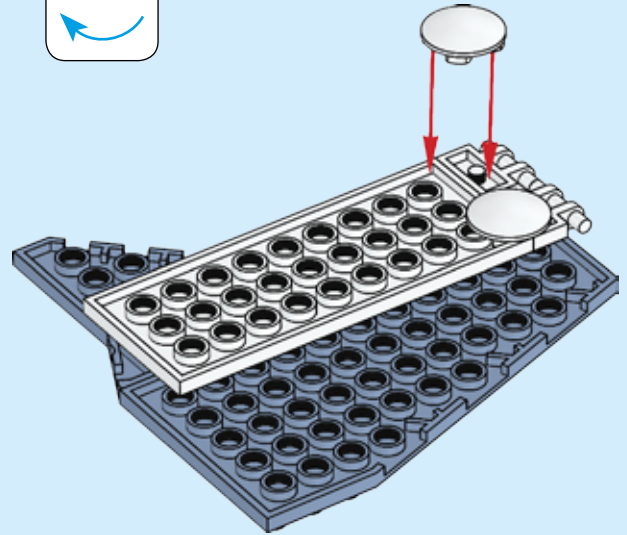
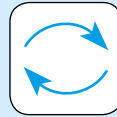
1x

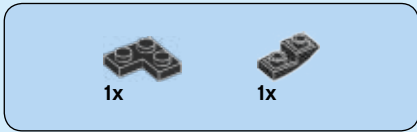
77



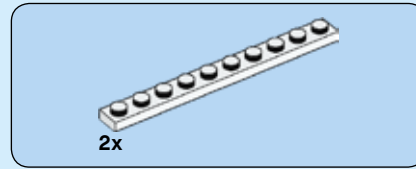
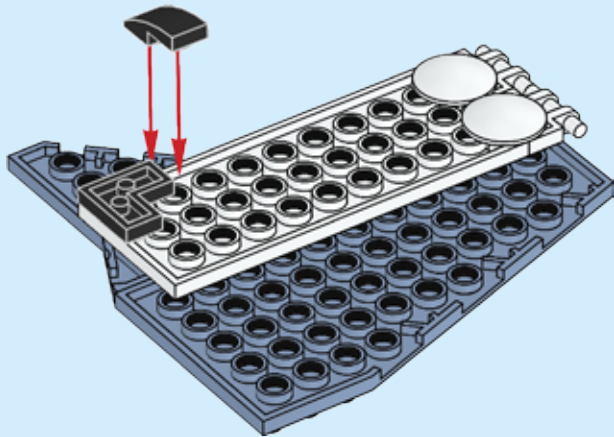
2x

78

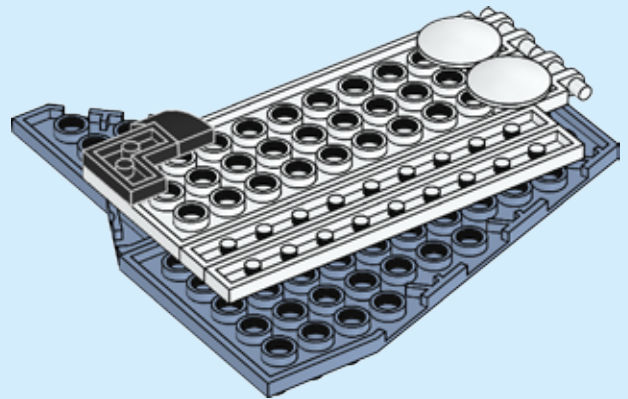




79

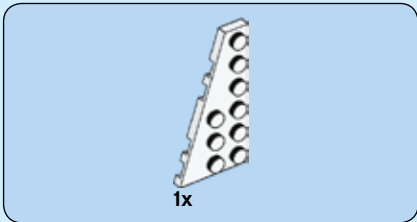


80

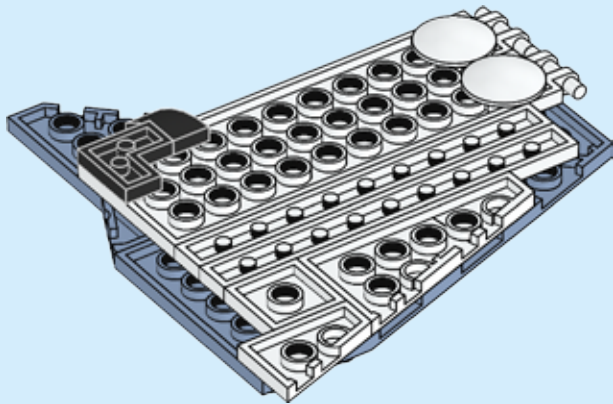
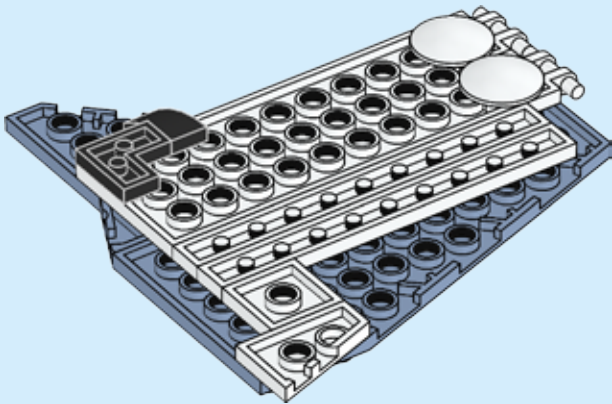




81



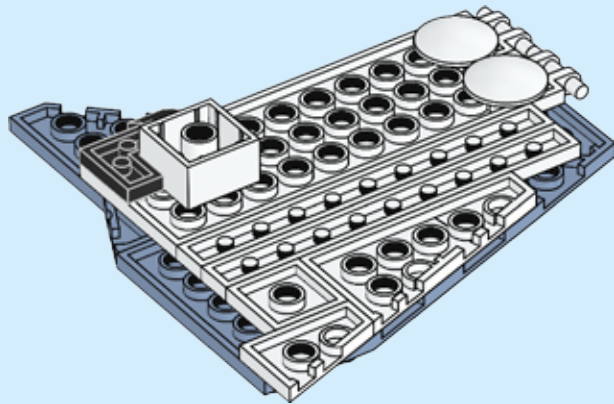
82





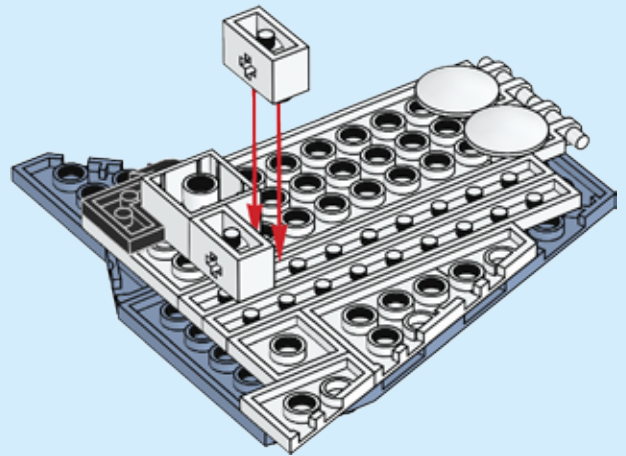
1x

83



2x

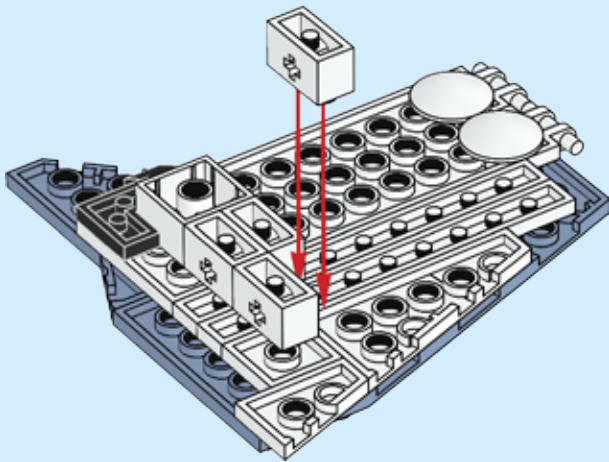
84





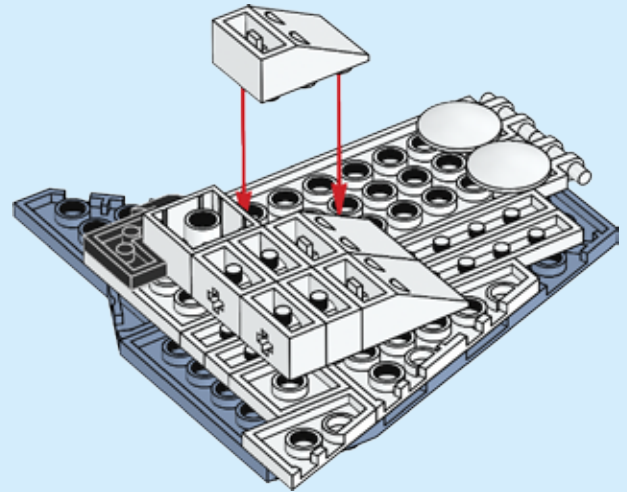
2x

85



3x

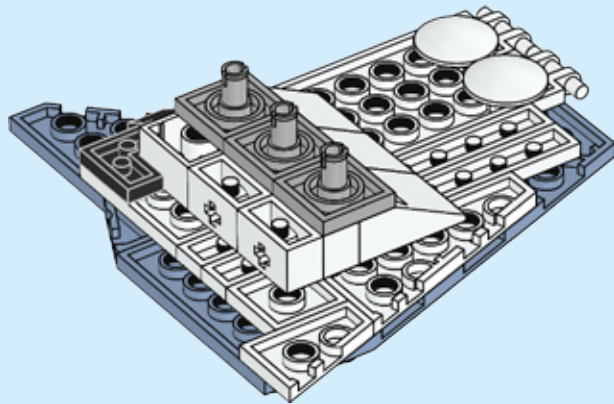
86





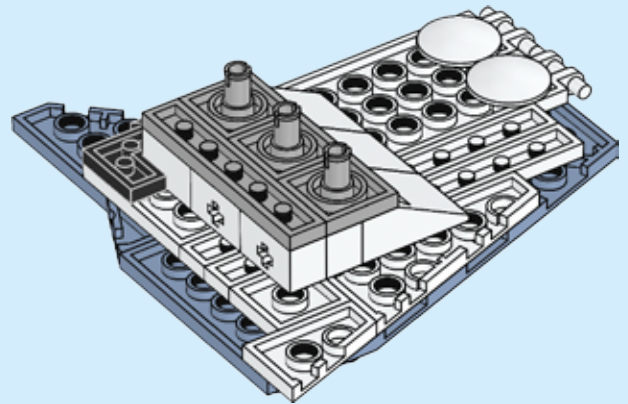
3x

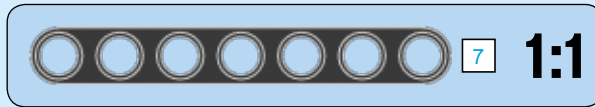
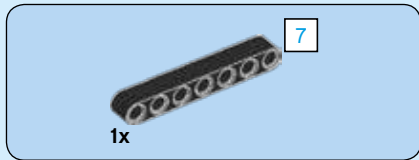
87



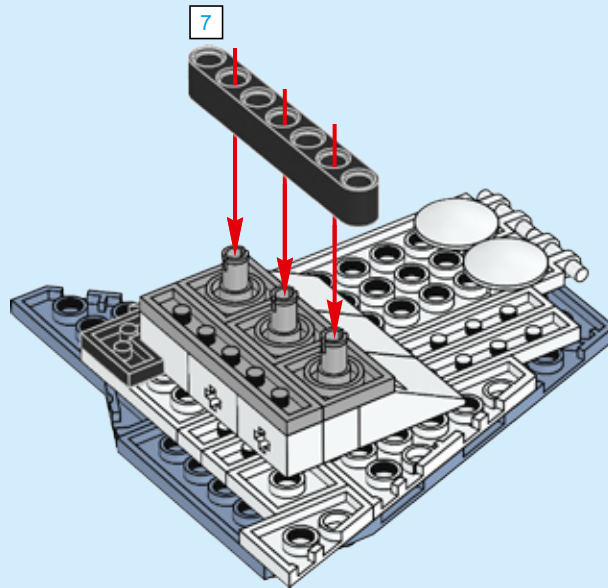
1x

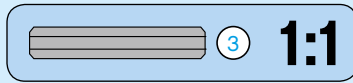
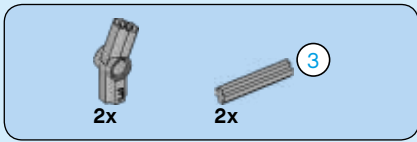
88



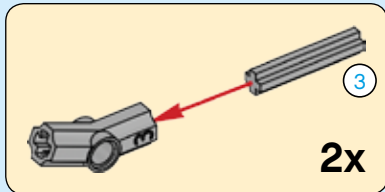
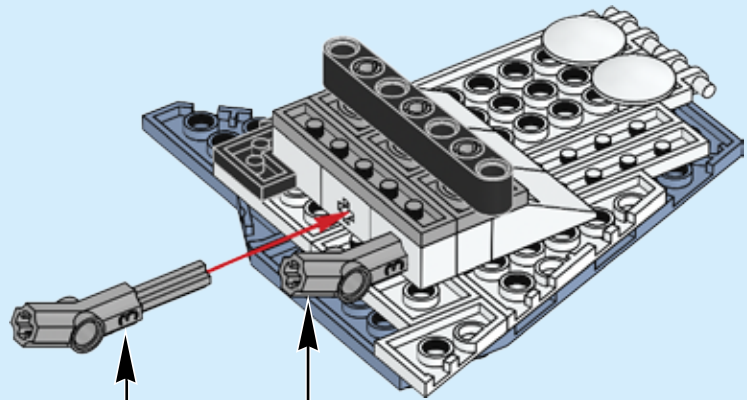


89





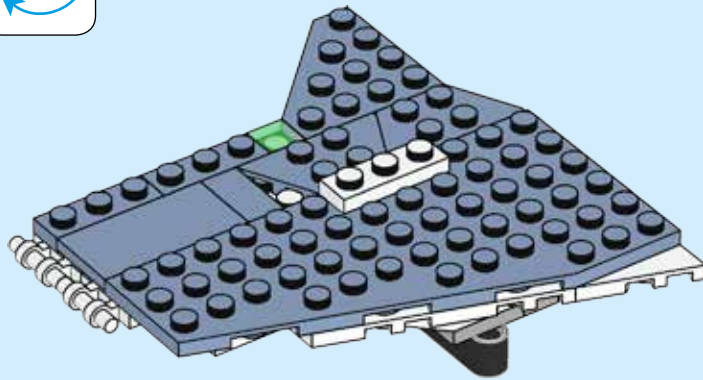
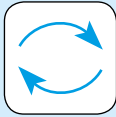
90





1x

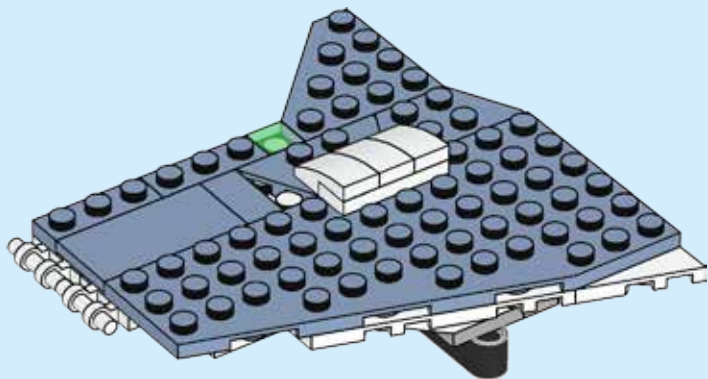
91





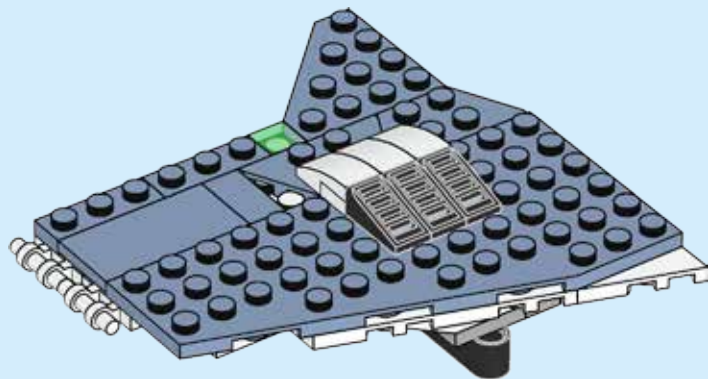
3x

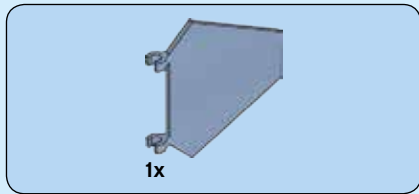
92



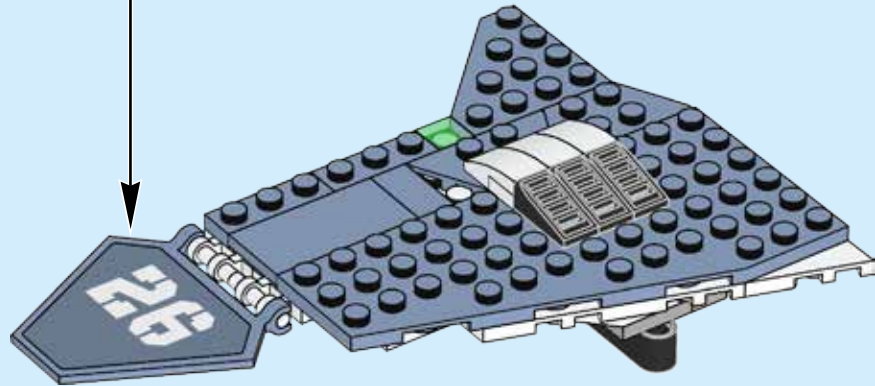
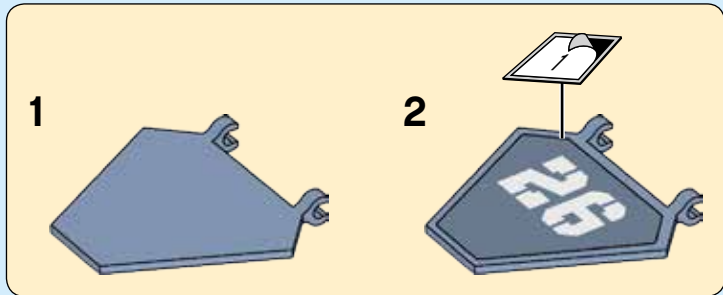
3x

93

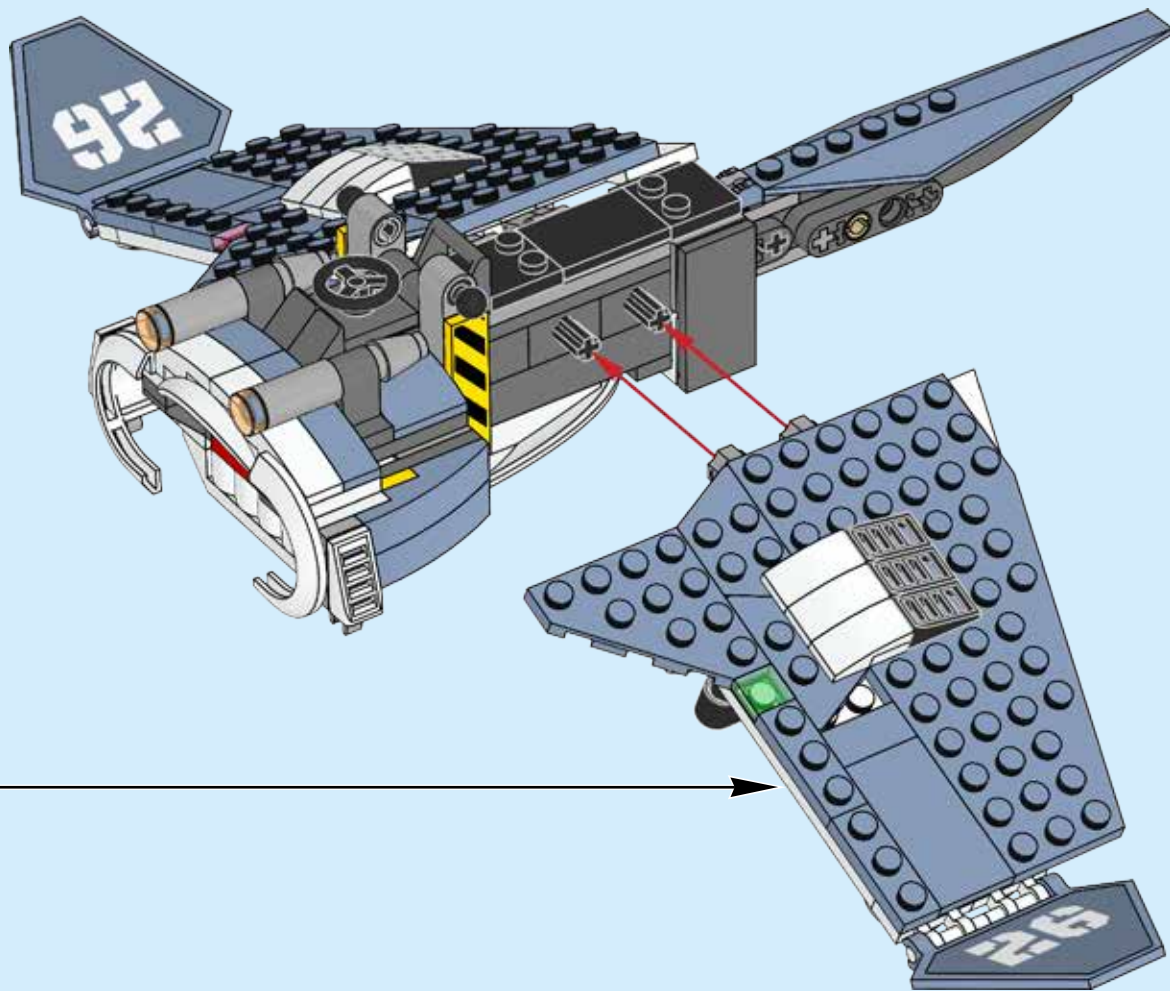


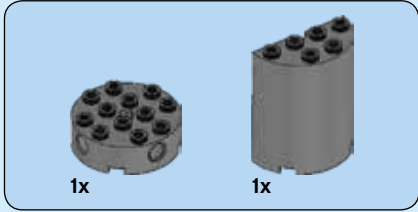
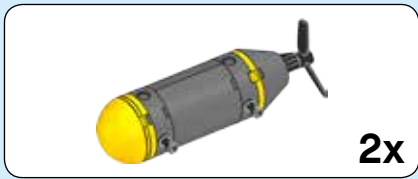


94

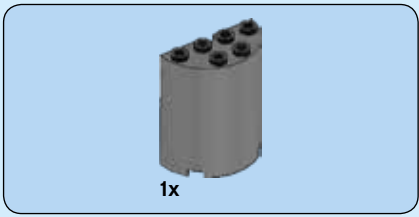
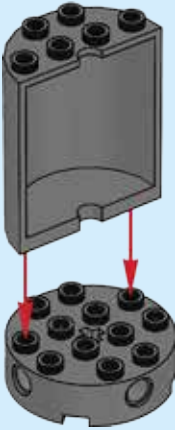


95





96

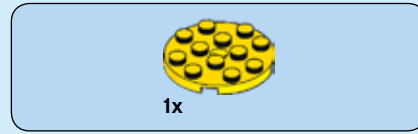


97



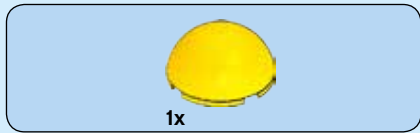


98



99





1x

100



2x

101

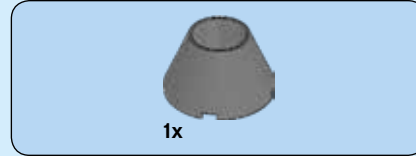




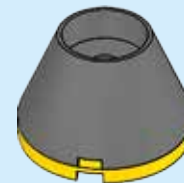
102

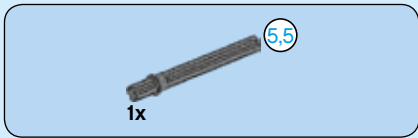


103

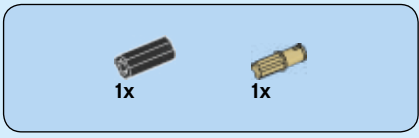
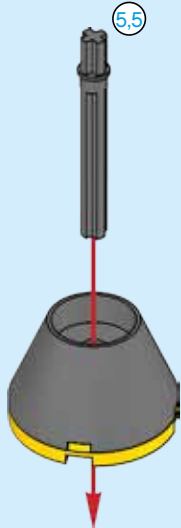


104

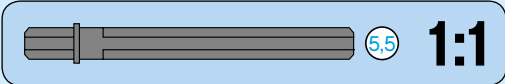
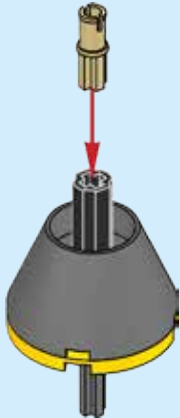


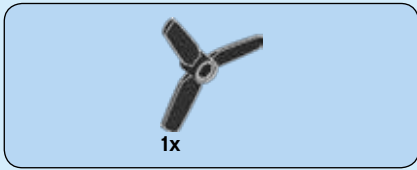


105

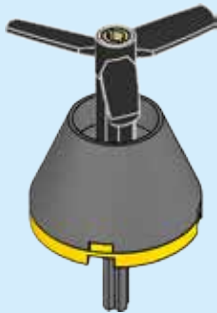


106

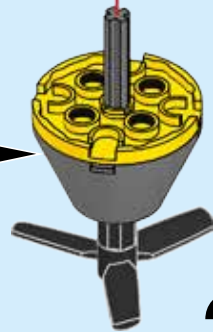




107

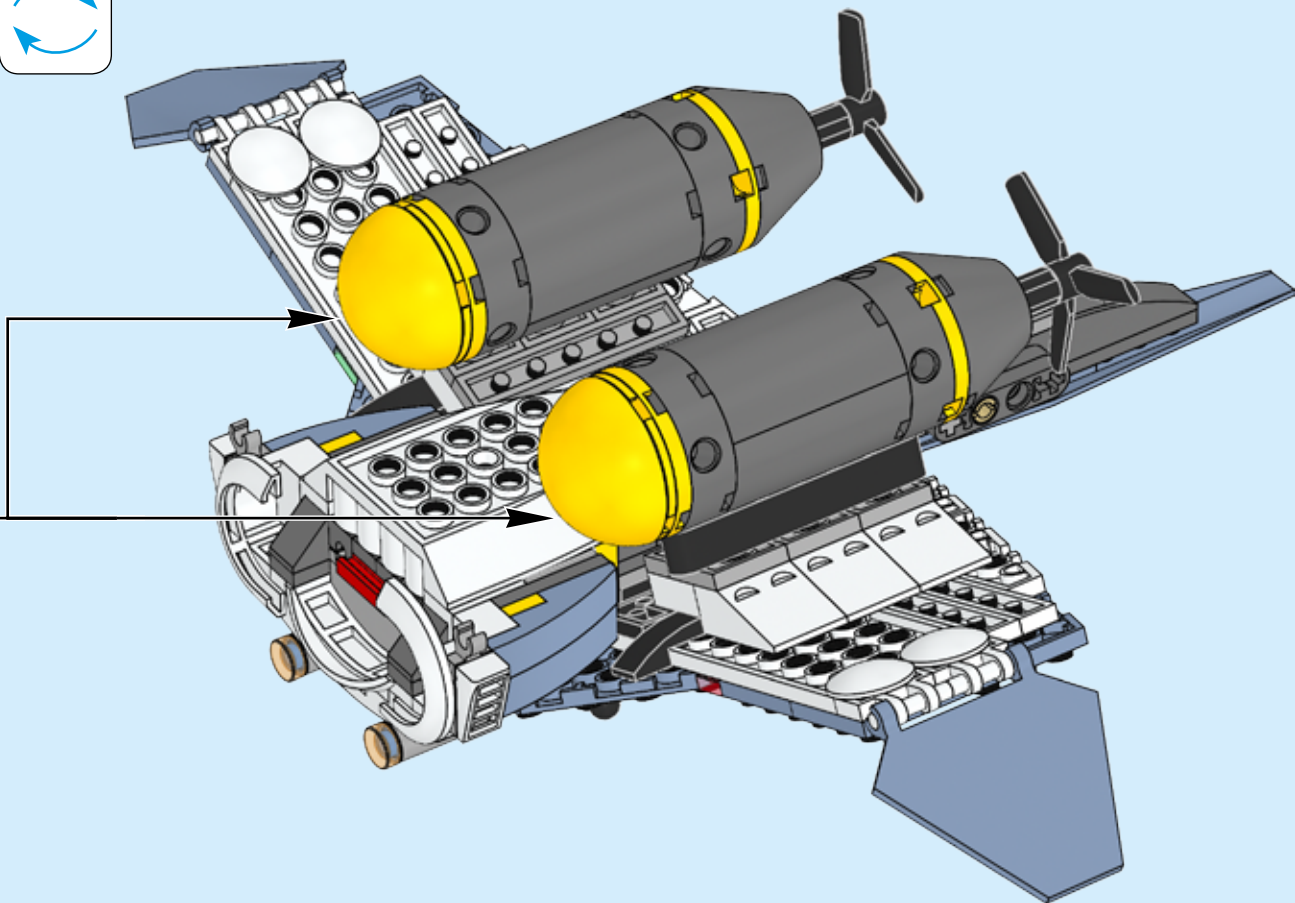
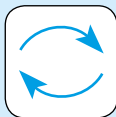


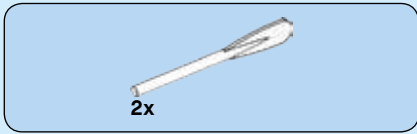
108



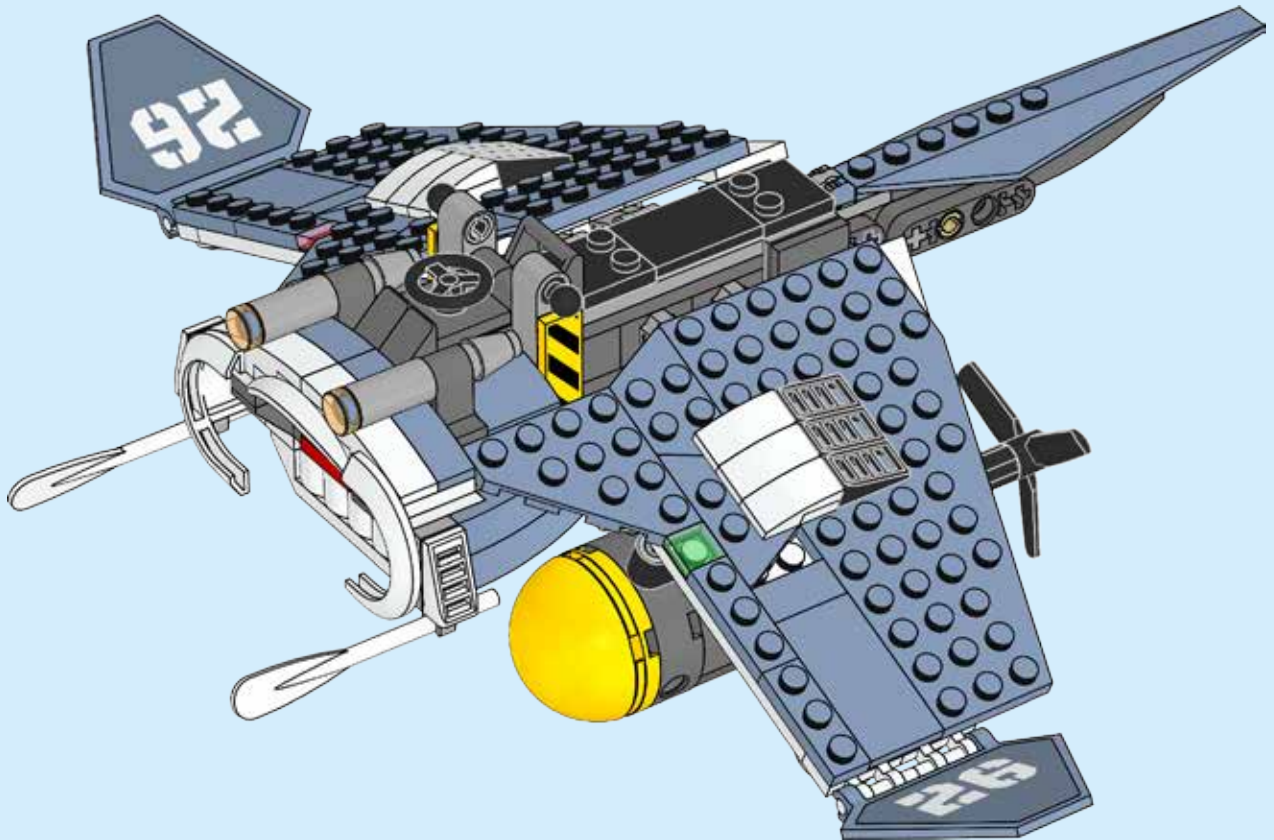
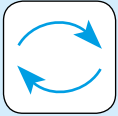
2x

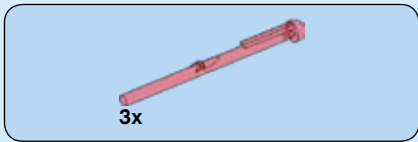
109



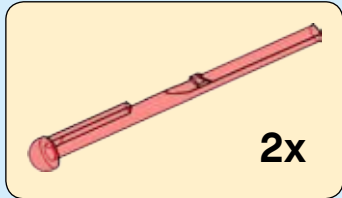
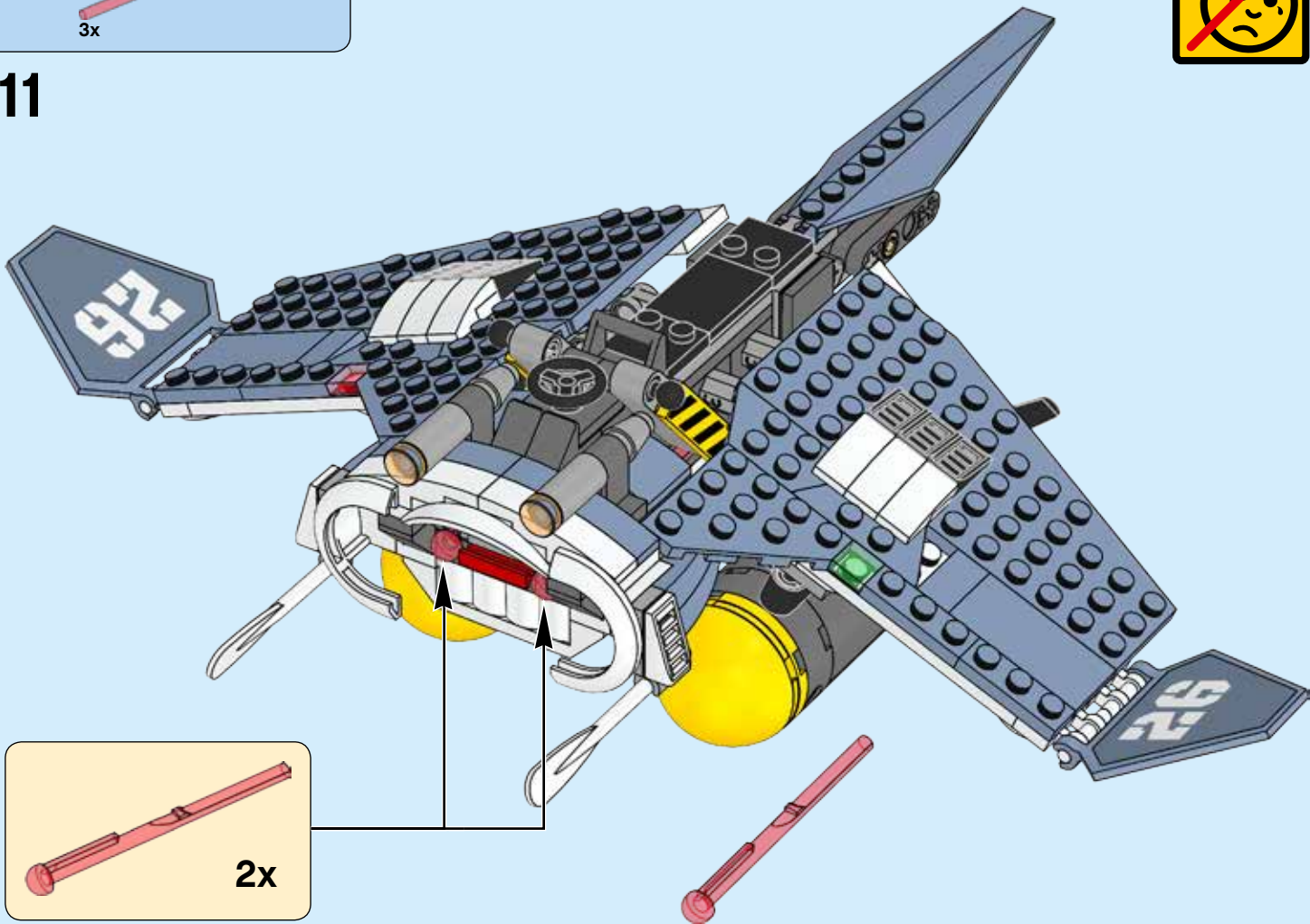


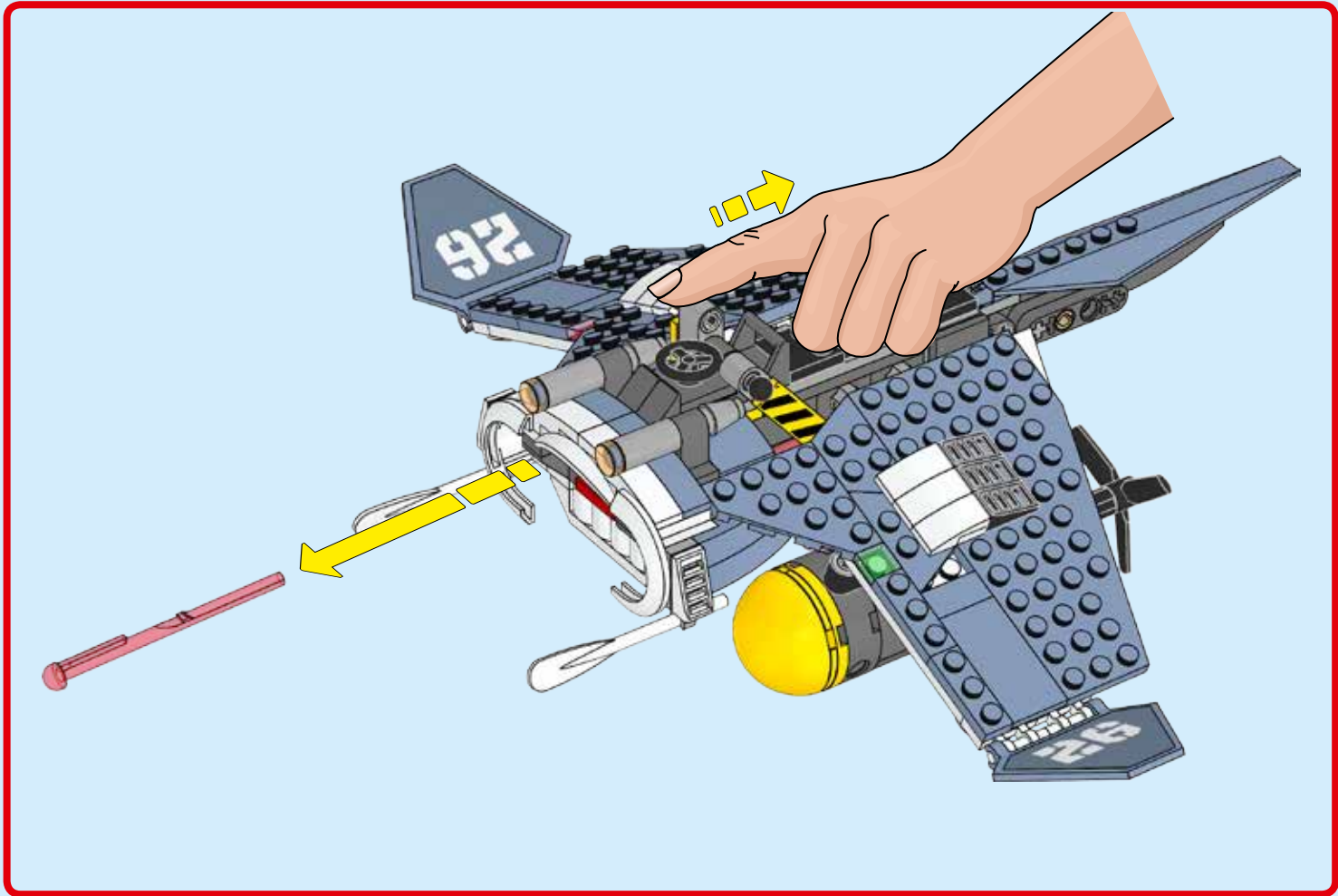
110



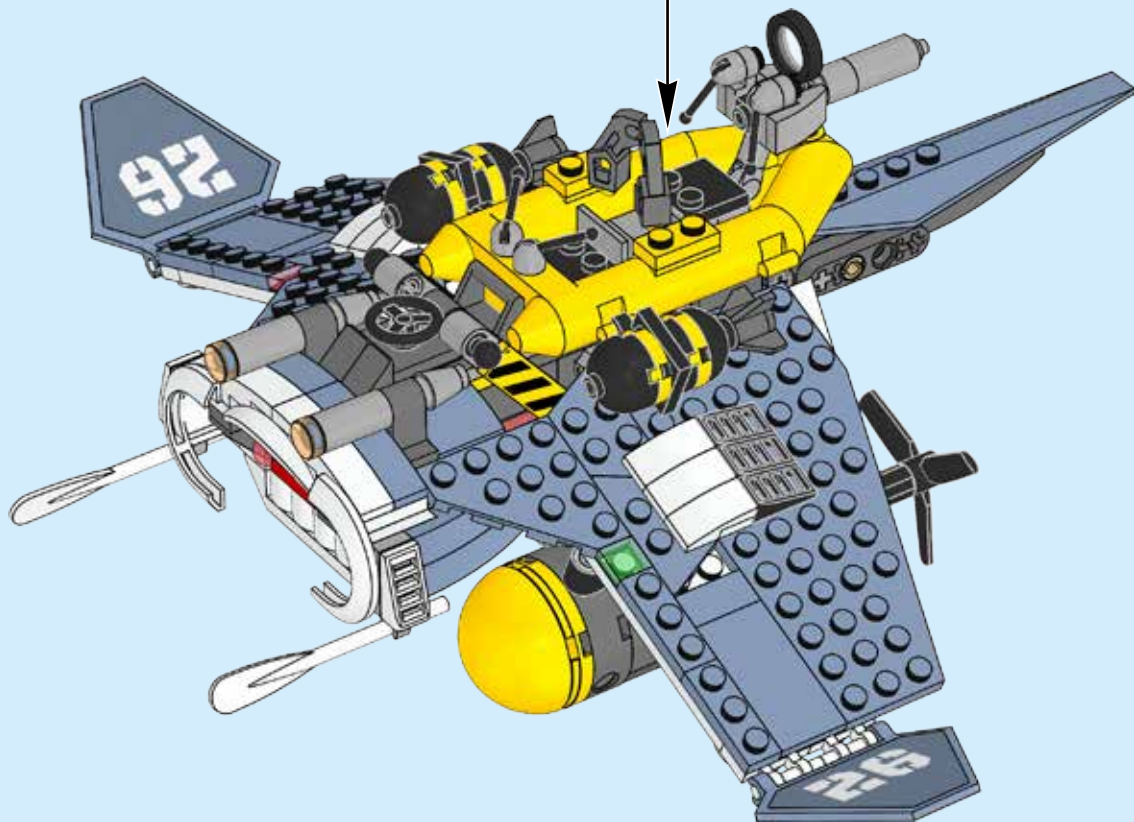
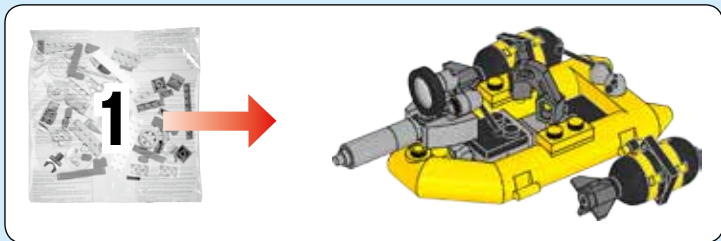


111





112







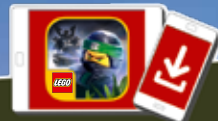
THE NINJAGO MOVIE



LEGO.COM/NINJAGOMOVIE



THE NINJAGO MOVIE



LEGO® WU-CRU
LEGO.com/apps



LEGO.COM/NINJAGOMOVIE



THE NINJAGO MOVIE



70608



70606



70607



70609



70611



■ 70612



■ 70614



■ 70618



■ 70617



■ 70615





THE NINJAGO MOVIE

VIDEOGAME



LEGO.com/videogames

7TM
www.pegi.info
PROVISIONAL



PC



The LEGO logo is displayed in its classic white font with a black outline, set against a red square background.The word "WORLDS" is rendered in a pixelated, blocky font, where each letter is constructed from various colored LEGO bricks. The letters are white and grey, with some bricks in green, blue, and red. The title is set against a dark blue background with a glowing blue outline.

UNLOCK MODEL IN GAME / Separate purchase required
MODELL IM SPIEL FREISCHALTEN / Separater Kauf erforderlich
DÉBLOQUEZ LE MODÈLE EN JEU / Achat séparé requis
SBLOCCA MODELLO NEL GIOCO / Da acquistare separatamente
DESBLOQUEAR MODELO EN EL JUEGO / A la venta por separado
DESBLOQUEAR MODELO NO JOGO / É necessária compra em separado
MODELL KIOLDÁSA A JÁTÉKBAN / Külön vásárlás isszükséges
在游戏里解锁模型 / 需分开购买

YG43JH



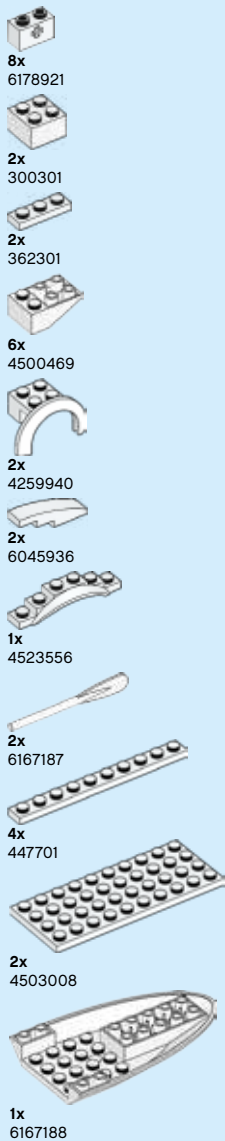
7

www.pegi.info
PROVISIONAL

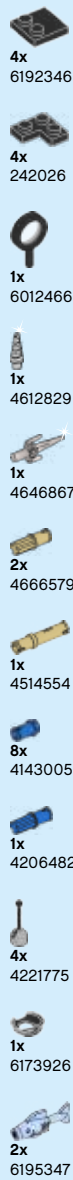
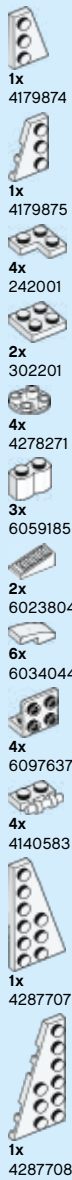
TT games WB GAMES LEGO GAMES

LEGO.com/worlds

LEGO WORLDS software © 2017 TT Games Ltd. Produced by TT Games under license from the LEGO Group. LEGO, the LEGO logo, the Brick and the Knob configurations and the Minifigure are trademarks of the LEGO Group. © 2017 The LEGO group. All other trademarks and copyrights are the property of their respective owners. All rights reserved. WB GAMES LOGO, WB SHIELD:™ & © Warner Bros. Entertainment Inc. (s17)



58





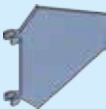
3x
6054526



1x
6167180



1x
6167179



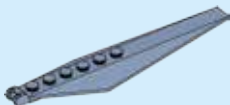
2x
6167183



2x
6167182



2x
6124349



1x
6167186



2x
6142505



2x
6166865



4x
6142245



4x
6111474



6x
6166868



2x
6080355



2x
4626196



1x
4611100



1x
6066142



1x
6116613



1x
6081990



2x
4626884



1x
4216384



2x
4646865



1x
3003941



1x
6192644



1x
6192232



2x
6192798



1x
6192572



1x
6195680



1x
6078575



1x
6192698



1x
6192688



1x
6192016



1x
6192818



1x
6192808



1x
6192666



4x
403224



4x
302324



2x
4611704



2x
6191897



3x
302124



2x
4119091



4x
4515349



1x
6099480



1x
6174161



8x
4210719



2x
4212352



2x
6012812



2x
6055313



2x
6019987



2x
4211096



2x
6069164



2x
4210763



1x
4211039



5x
6178919



1x
6126083



2x
6015356



2x
4211133



4x
4211104



1x
4547958



4x
4210749



3x
4211043



4x
6106025



1x
4213607



2x
4222113



4x
4211097



2x
4560184



2x
4508553



1x
4210779



1x
4210998



1x
4210997



2x
4210798

5.5

Customer Service

Kundenservice

Service Consommateurs

Servicio Al Consumidor

LEGO.com/service or dial



: 00800 5346 5555

: 1-800-422-5346



THE LEGO NINJAGO MOVIE © & ™ Warner Bros. Entertainment Inc. & The LEGO Group. LEGO, the LEGO logo, NINJAGO and the Brick and Knob configurations are trademarks of the LEGO Group. ©2017 The LEGO Group. All rights reserved. (s17)

6207797



BILLUND • DEUTSCHLAND
WINDSOR • MALAYSIA

EXCLUSIVELY • EXKLUSIV • EXCLUSIVEMENT • EN EXCLUSIVA • ESCLUSIVO
EXCLUSIVAMENTE • KIZÁRÓLAGOSAN • 独家所有 • EKSKLUSIVT • ここだけの特典 • ÖZEL



Manchester • Berlin • Oberhausen
Istanbul • Osaka • Shanghai • Tokyo



LEGO, the LEGO logo, the Brick and Knob configurations, NINJAGO, the Minifigure and LEGOLAND are trademarks of the LEGO Group. ©2017 The LEGO Group. LEGOLAND is part of Merlin Entertainments plc.

LEGOLAND.COM