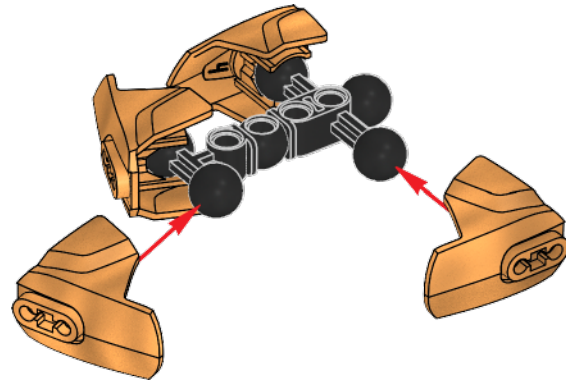
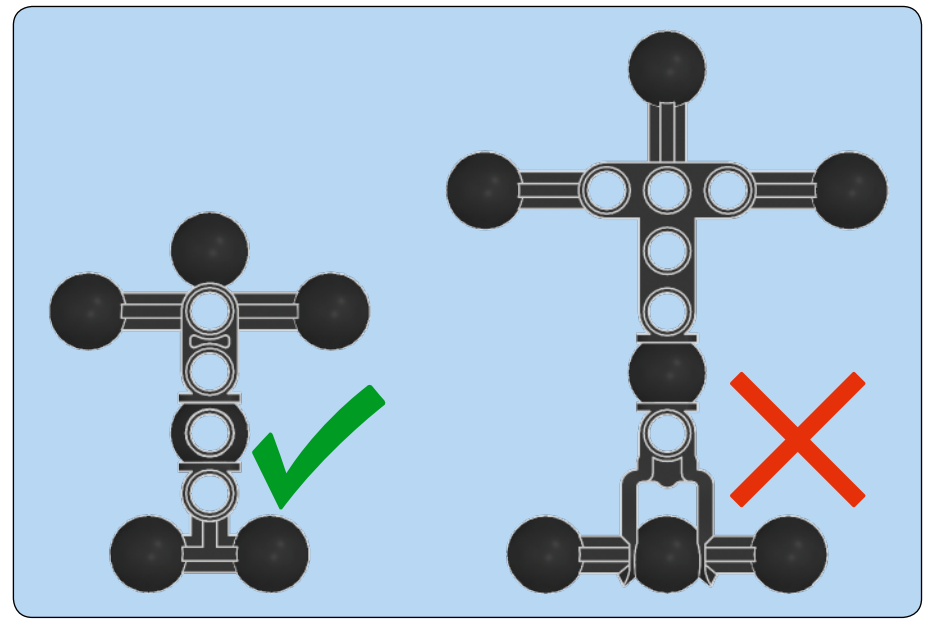
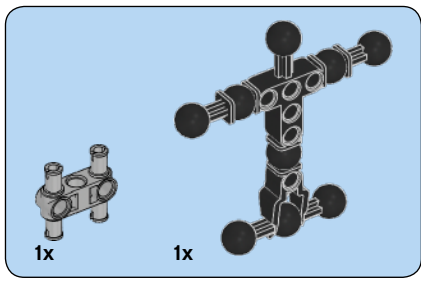
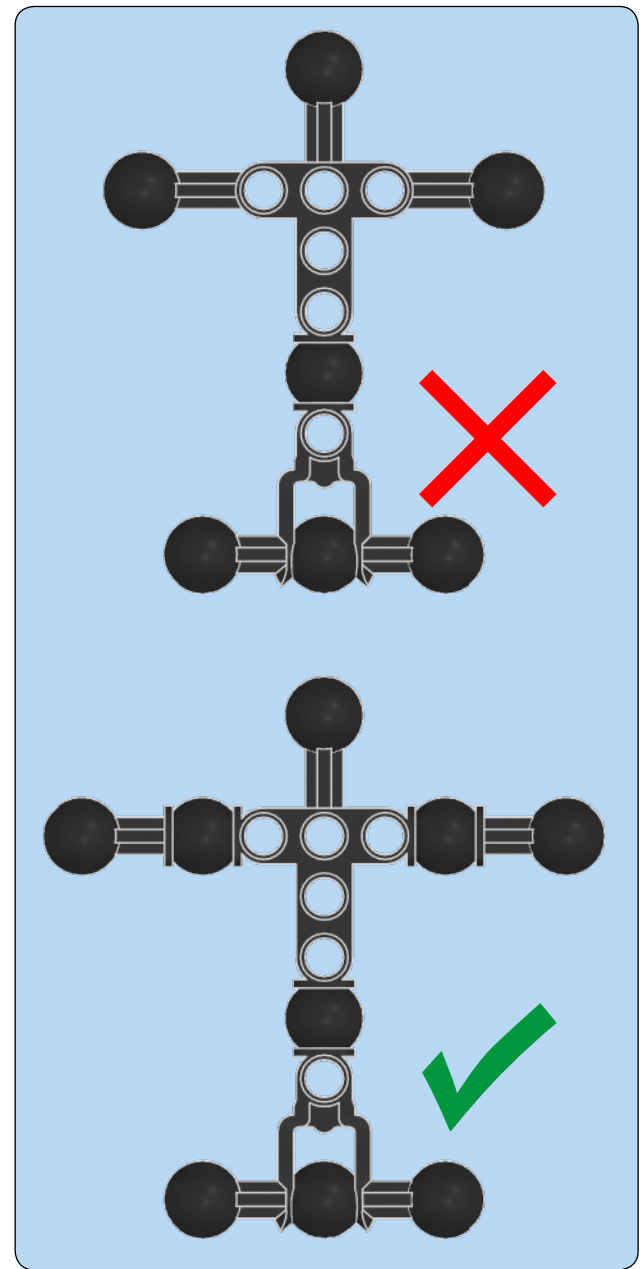
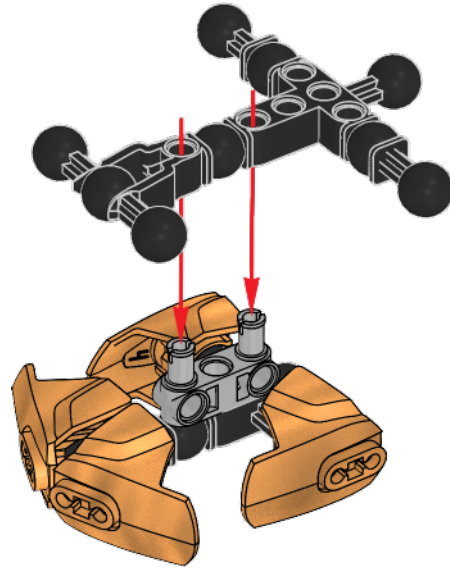


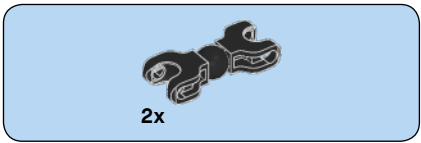
1



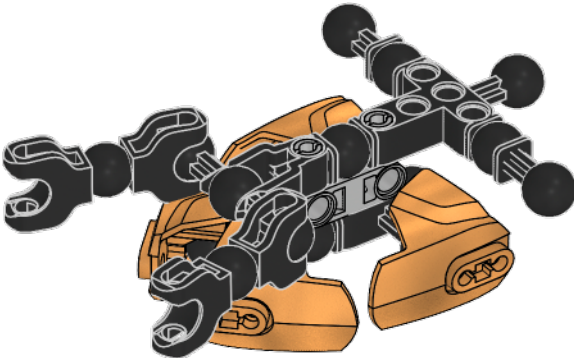


2

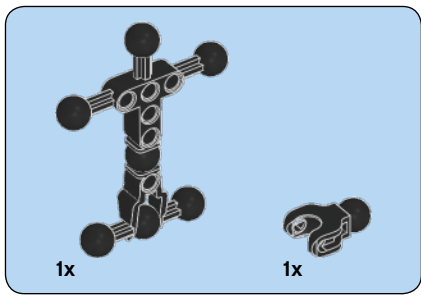




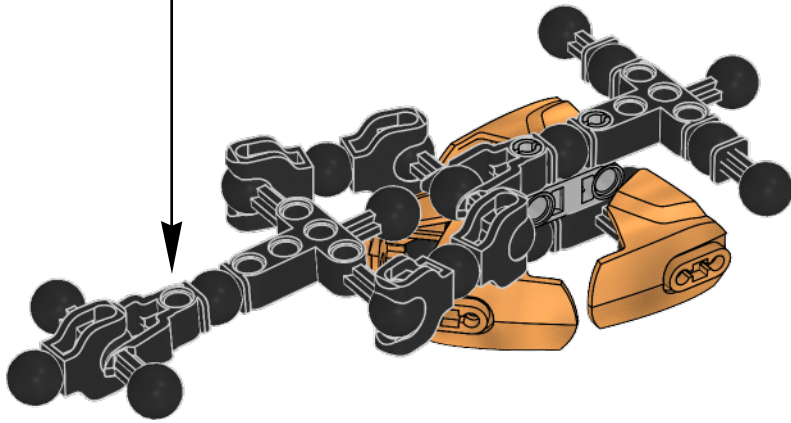
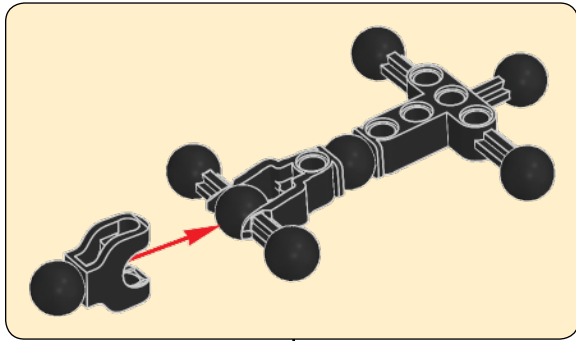
3

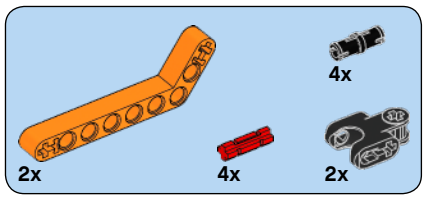






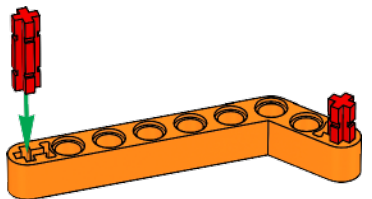
4



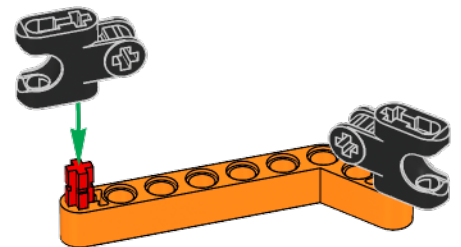


# 5

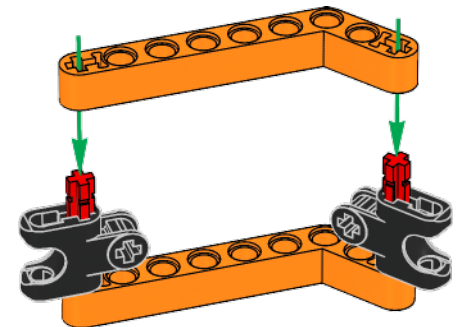
1



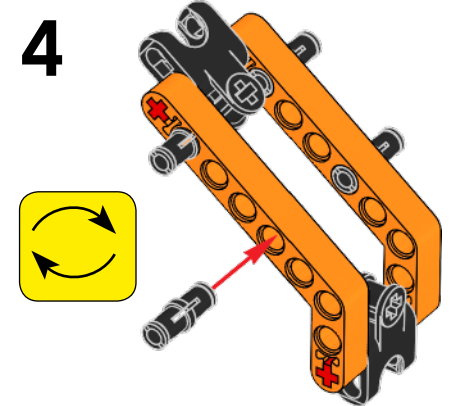
2



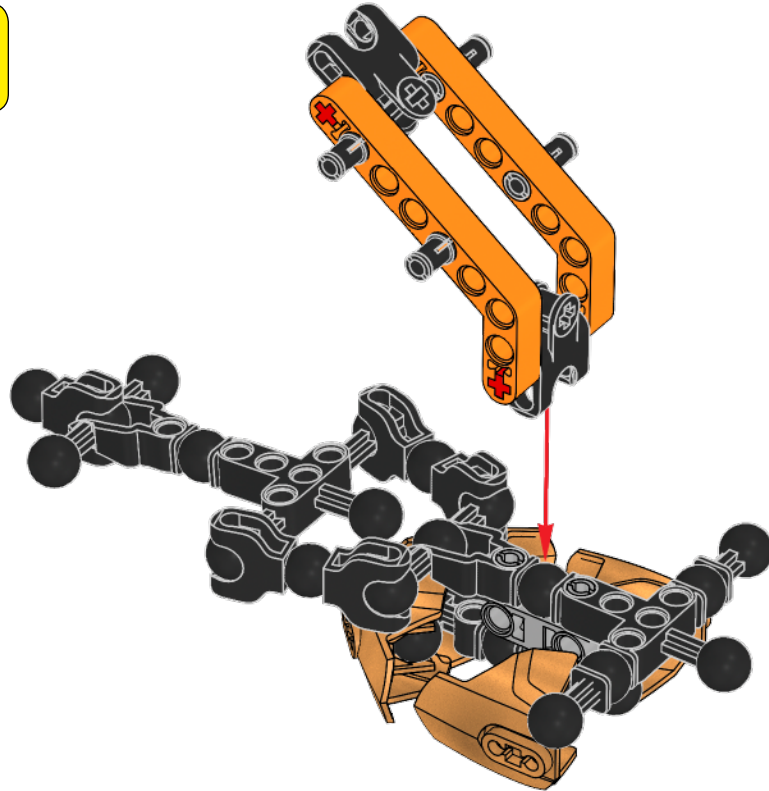
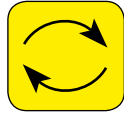
3



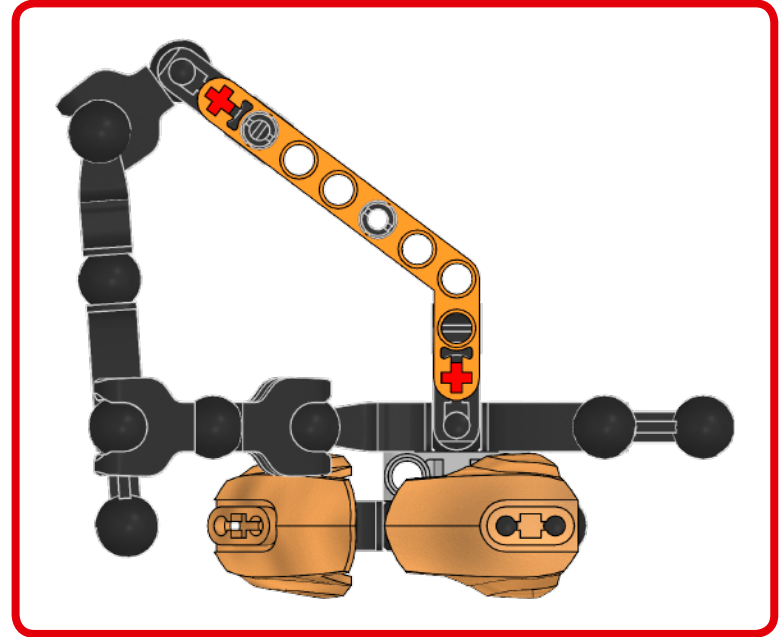
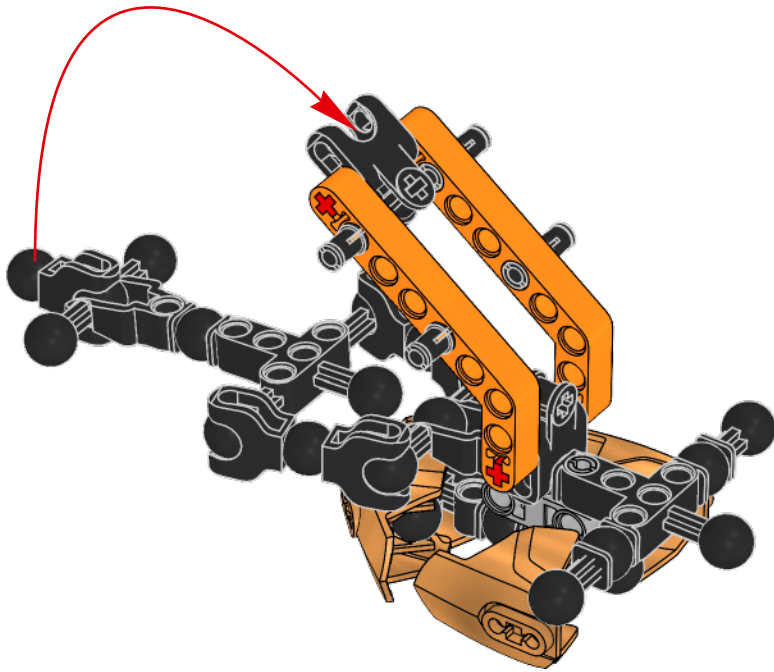
4

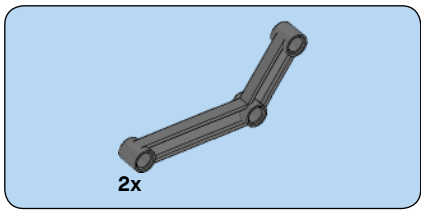


6

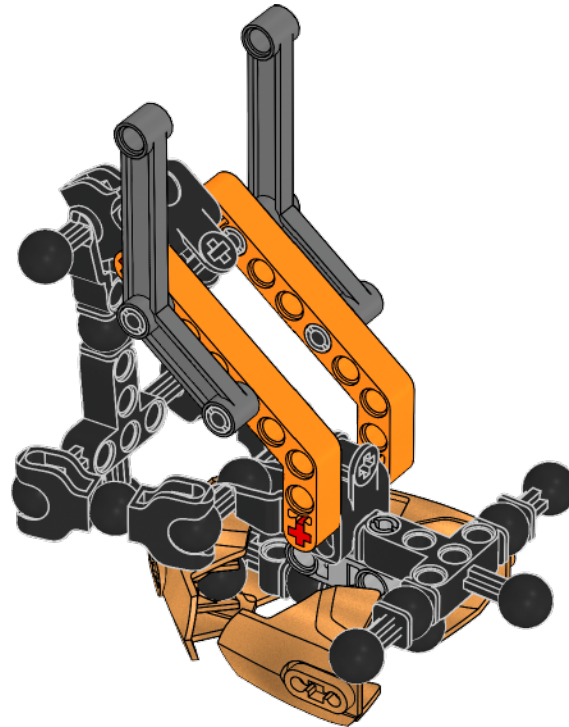


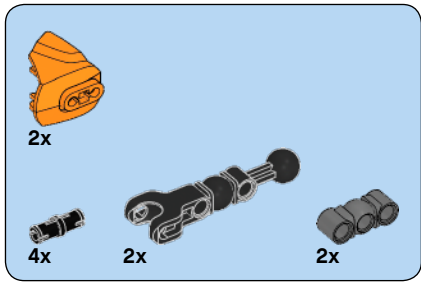
7



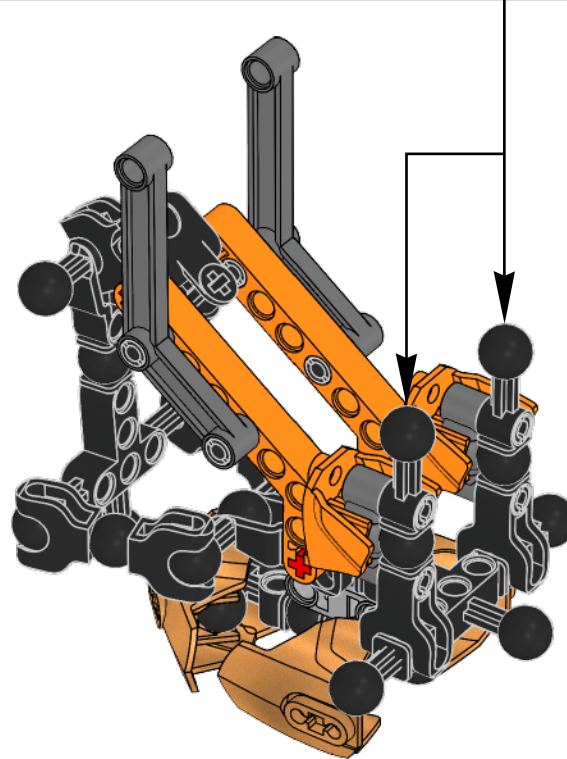
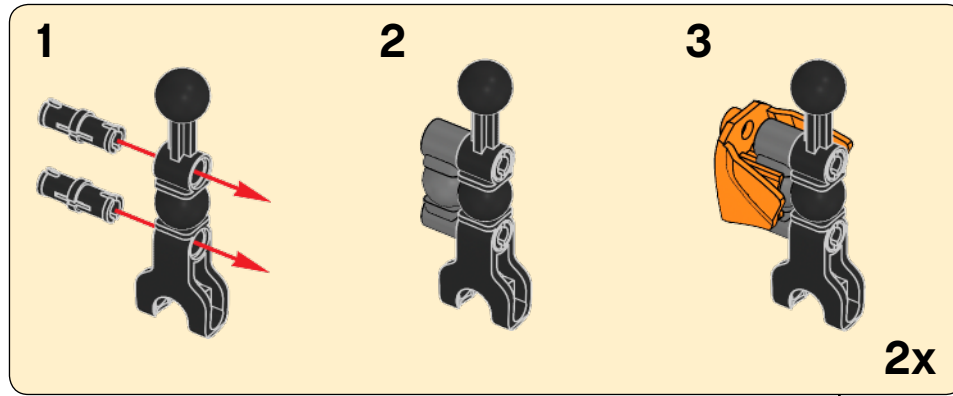
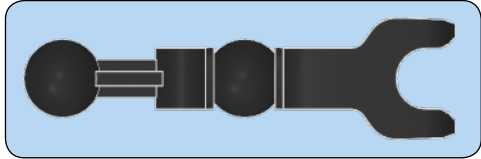


8

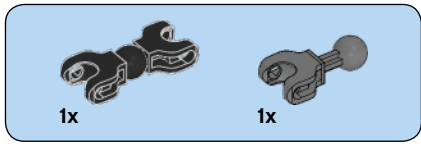




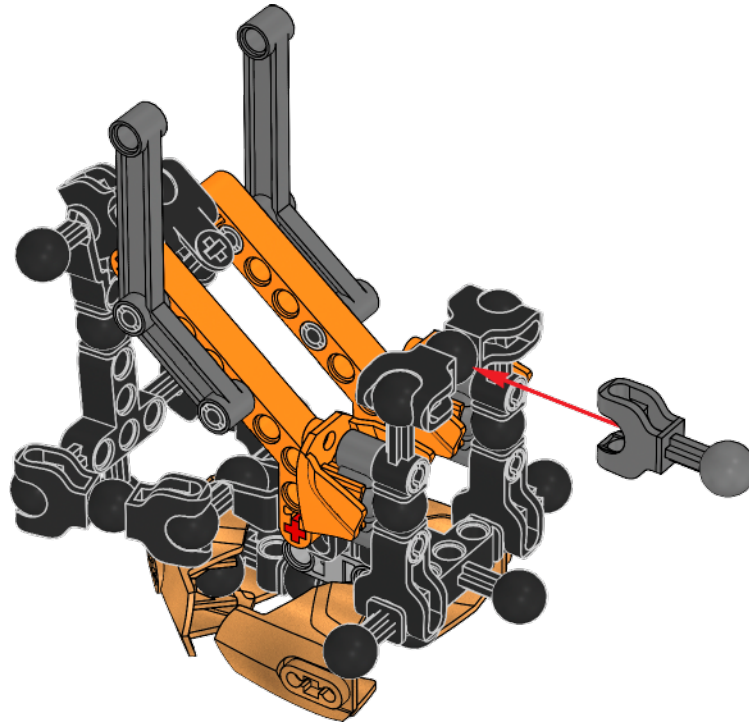
9

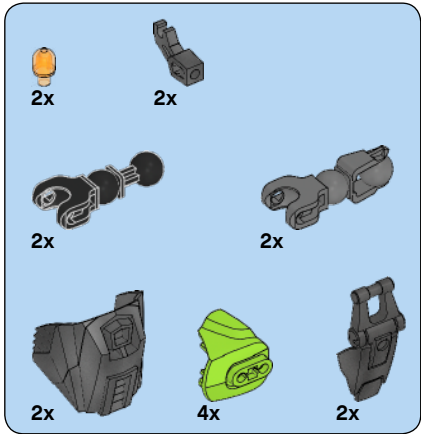
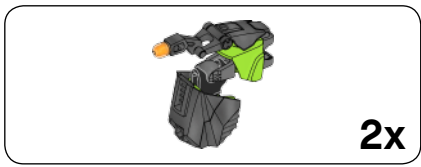




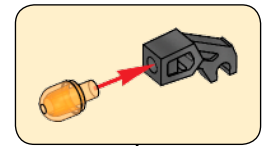
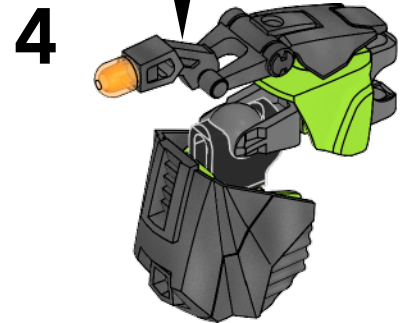
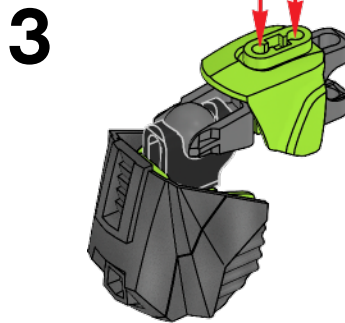
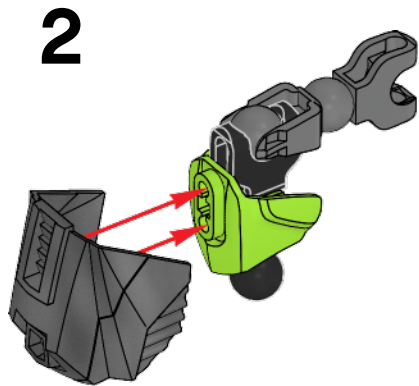
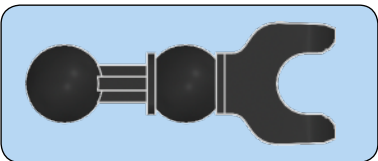
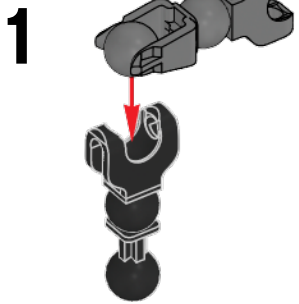


10

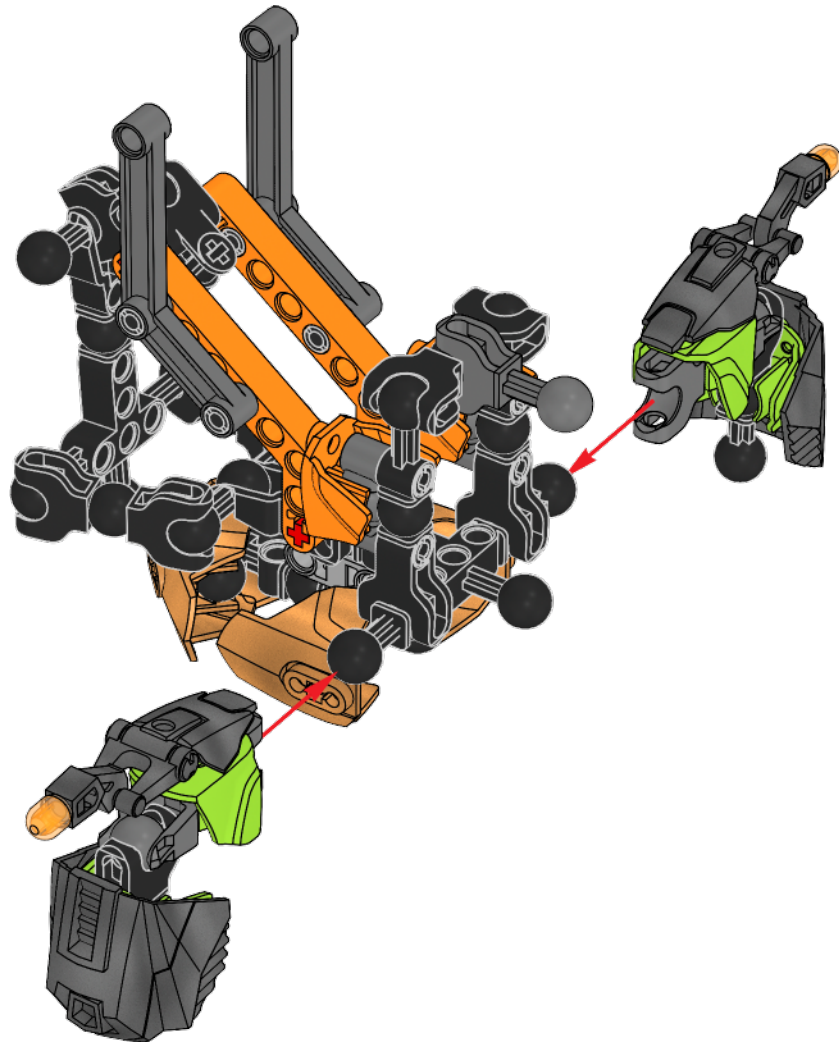


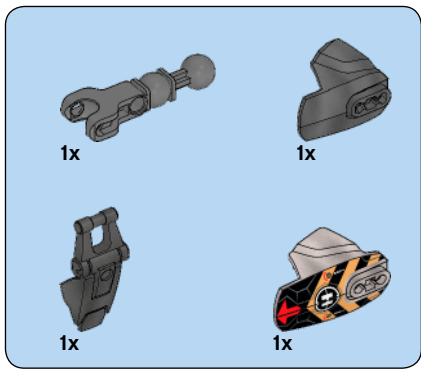


# 11



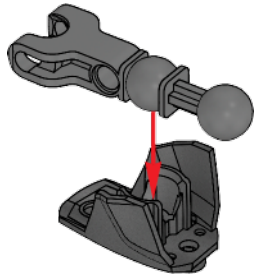
2x



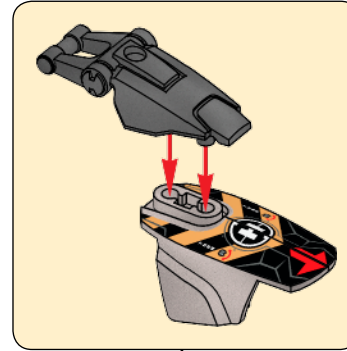
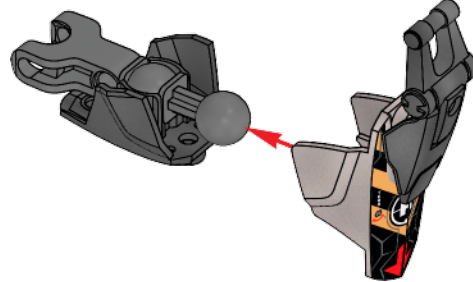


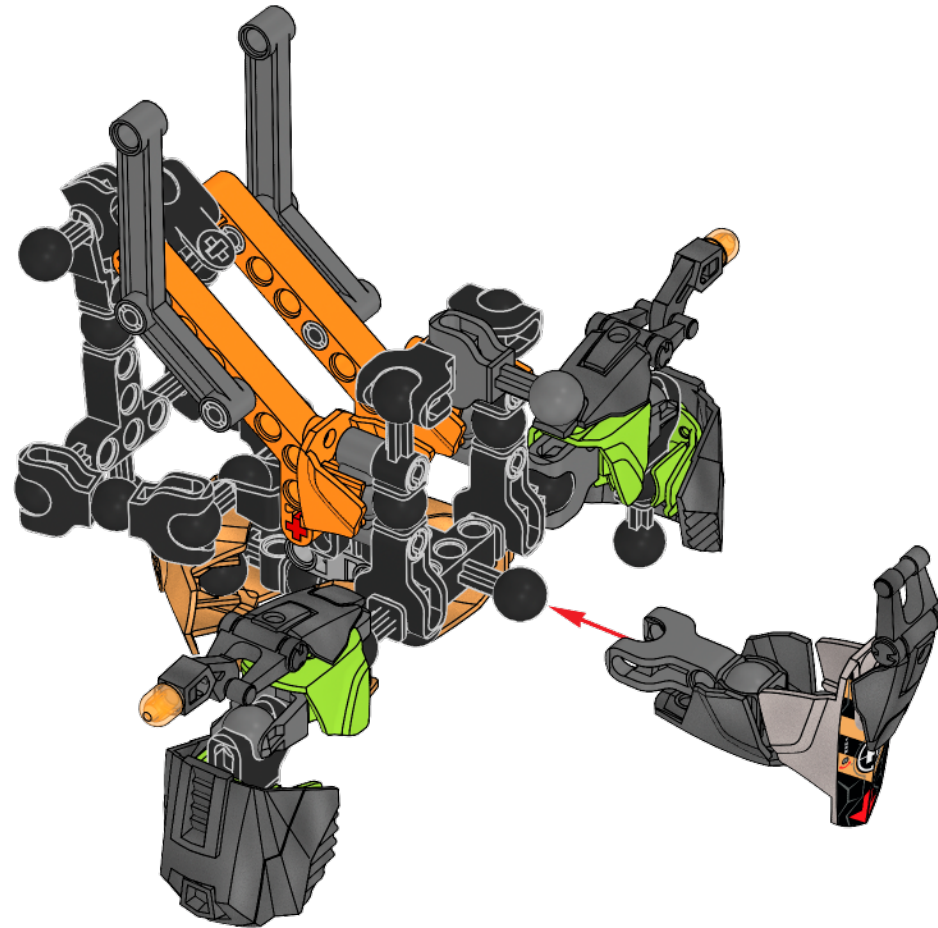
# 13

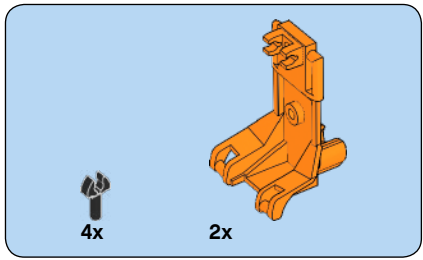
1



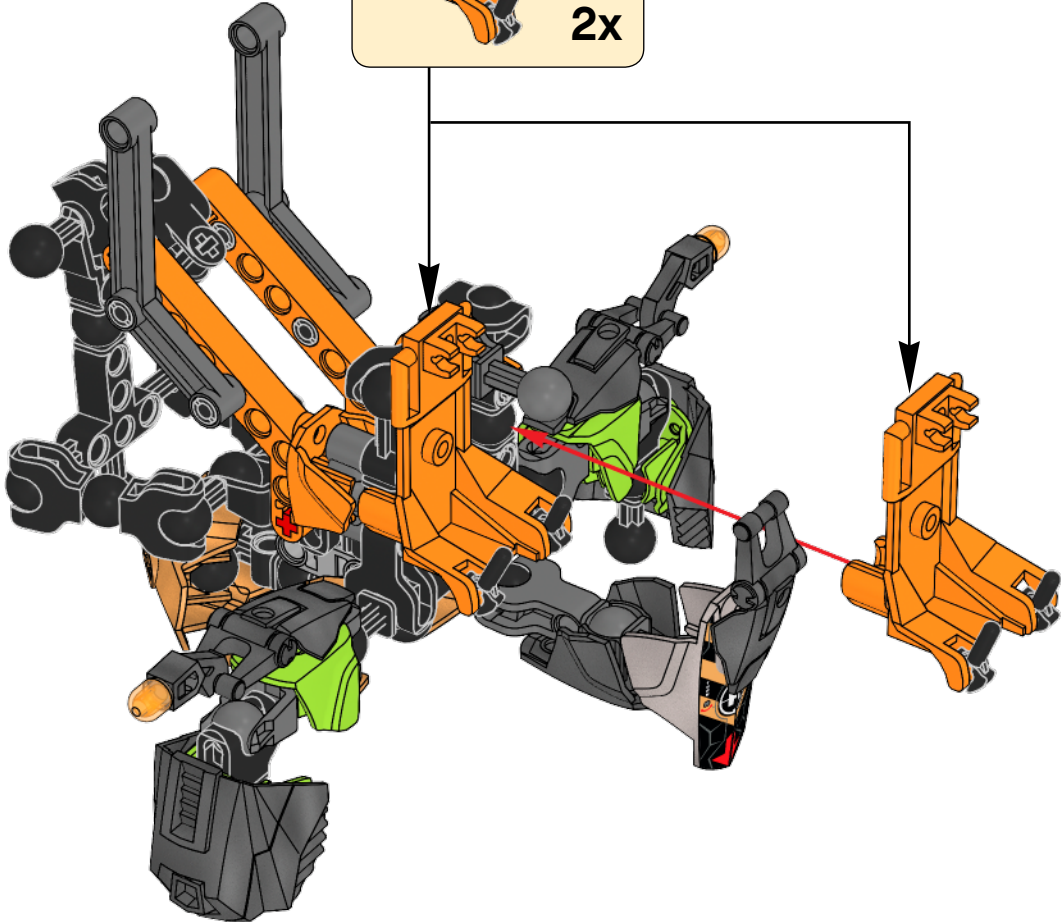
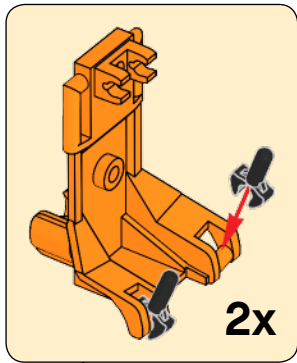
2



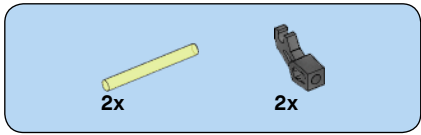




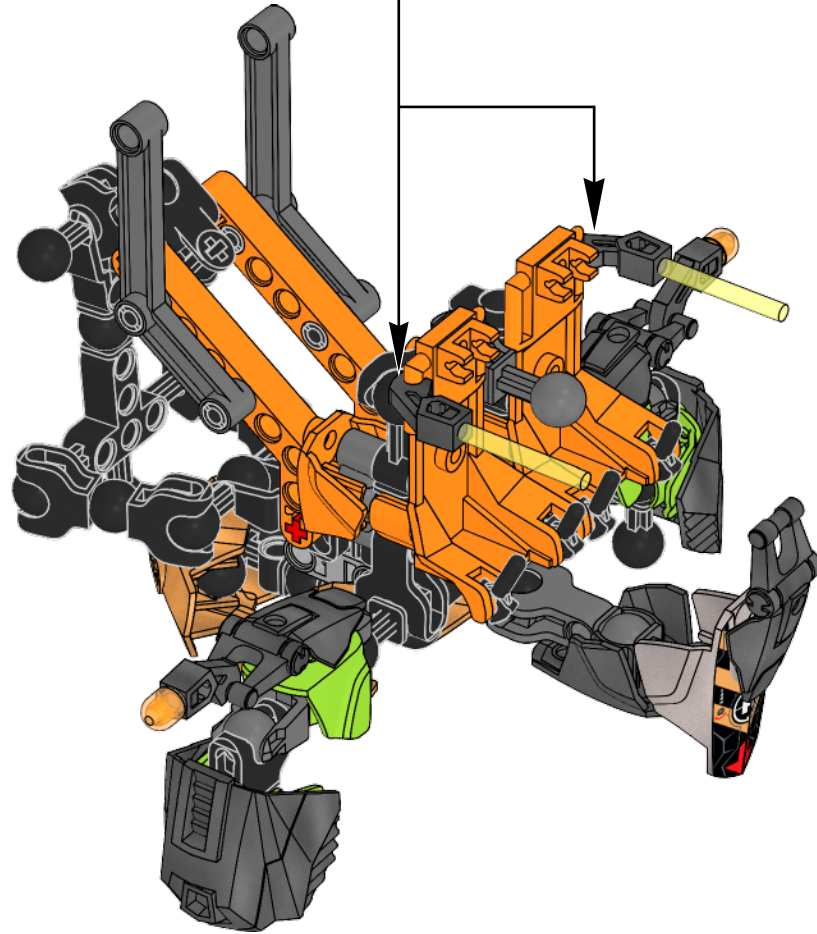
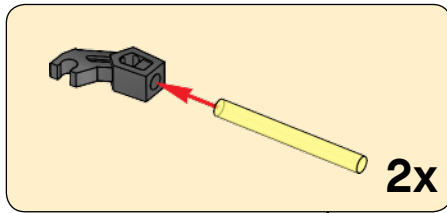
15

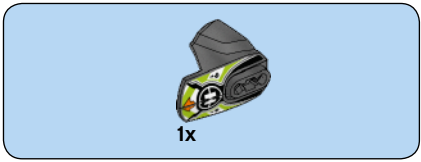




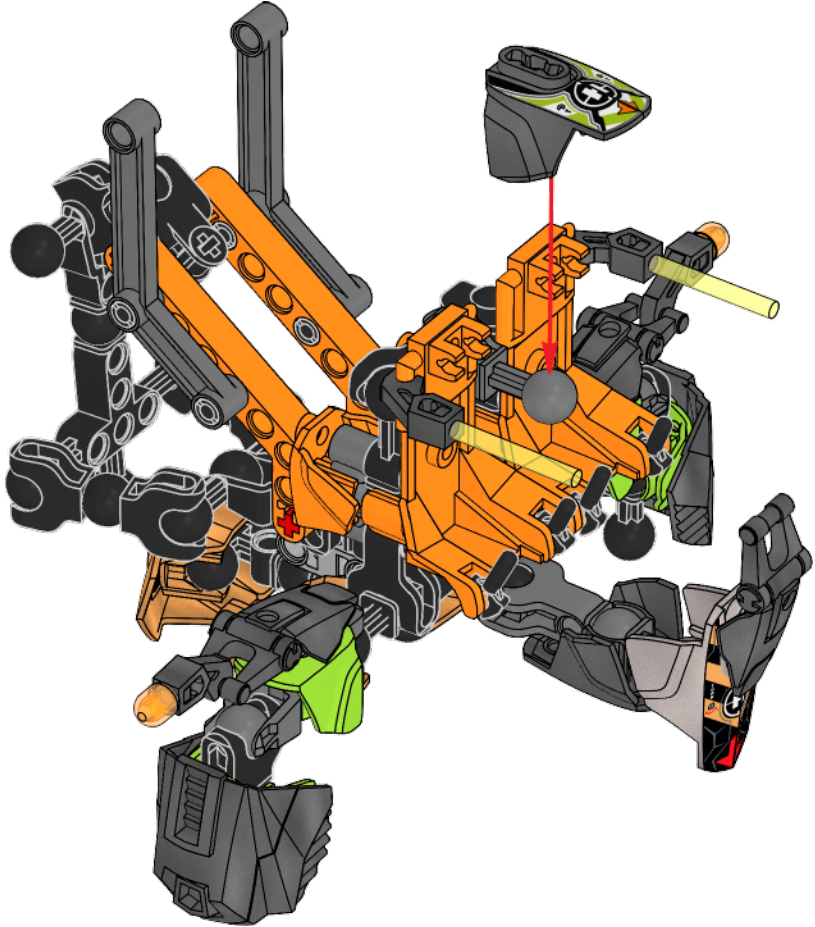


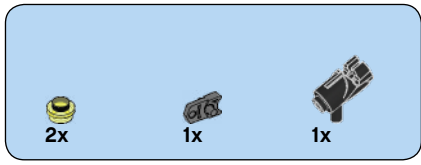
16



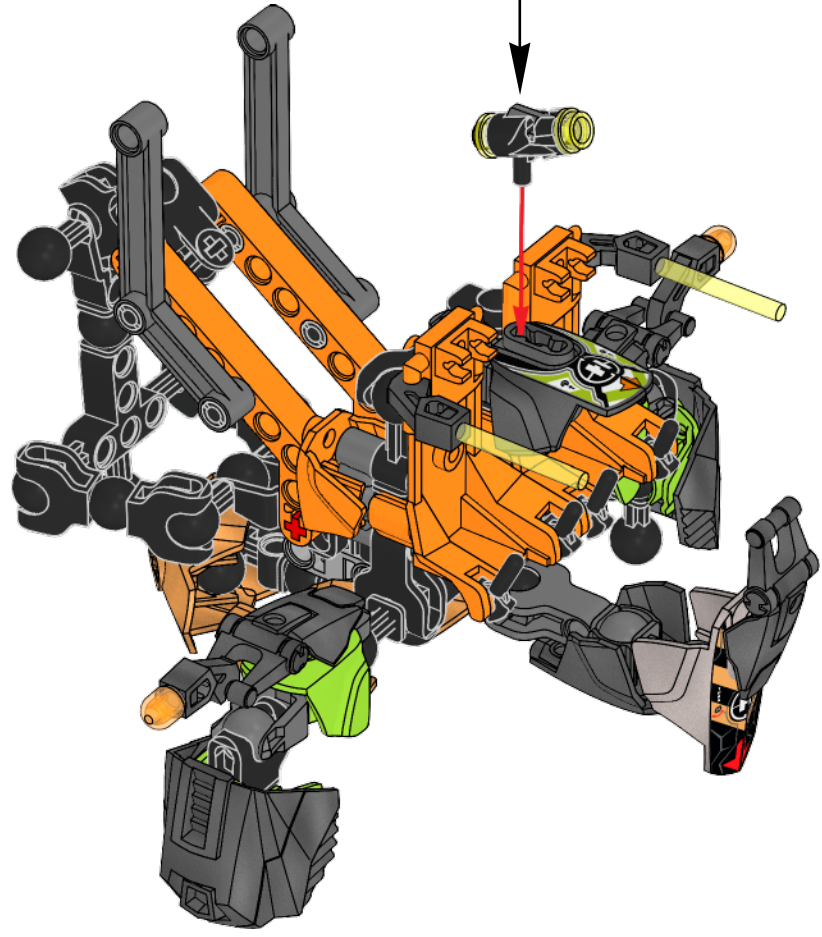
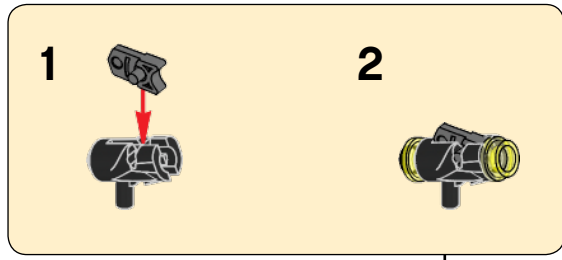


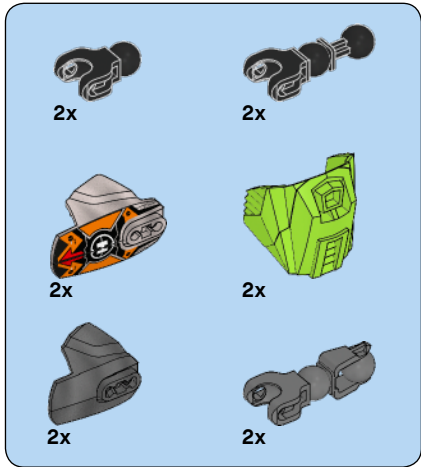
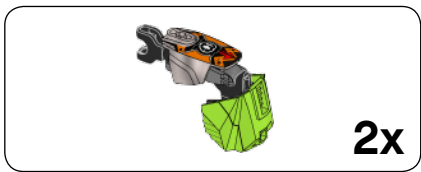
17



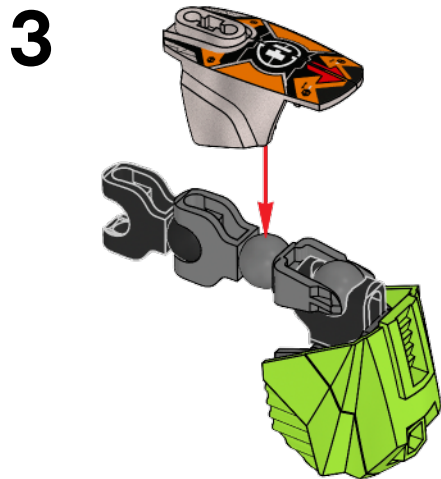
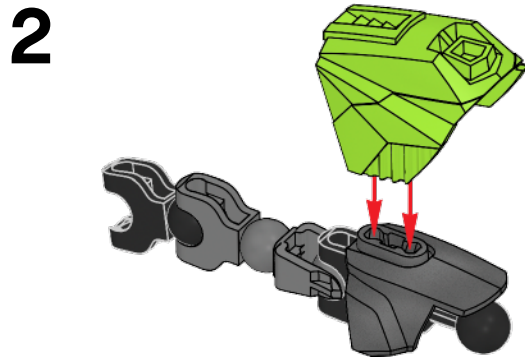
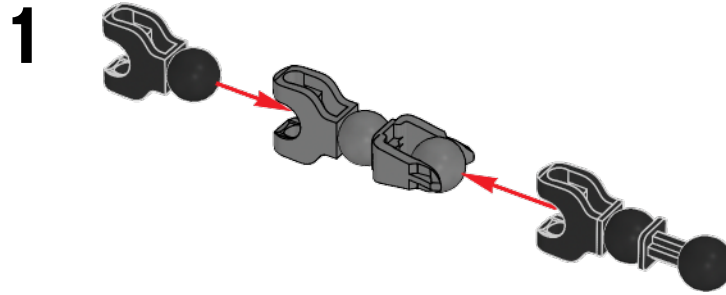


18

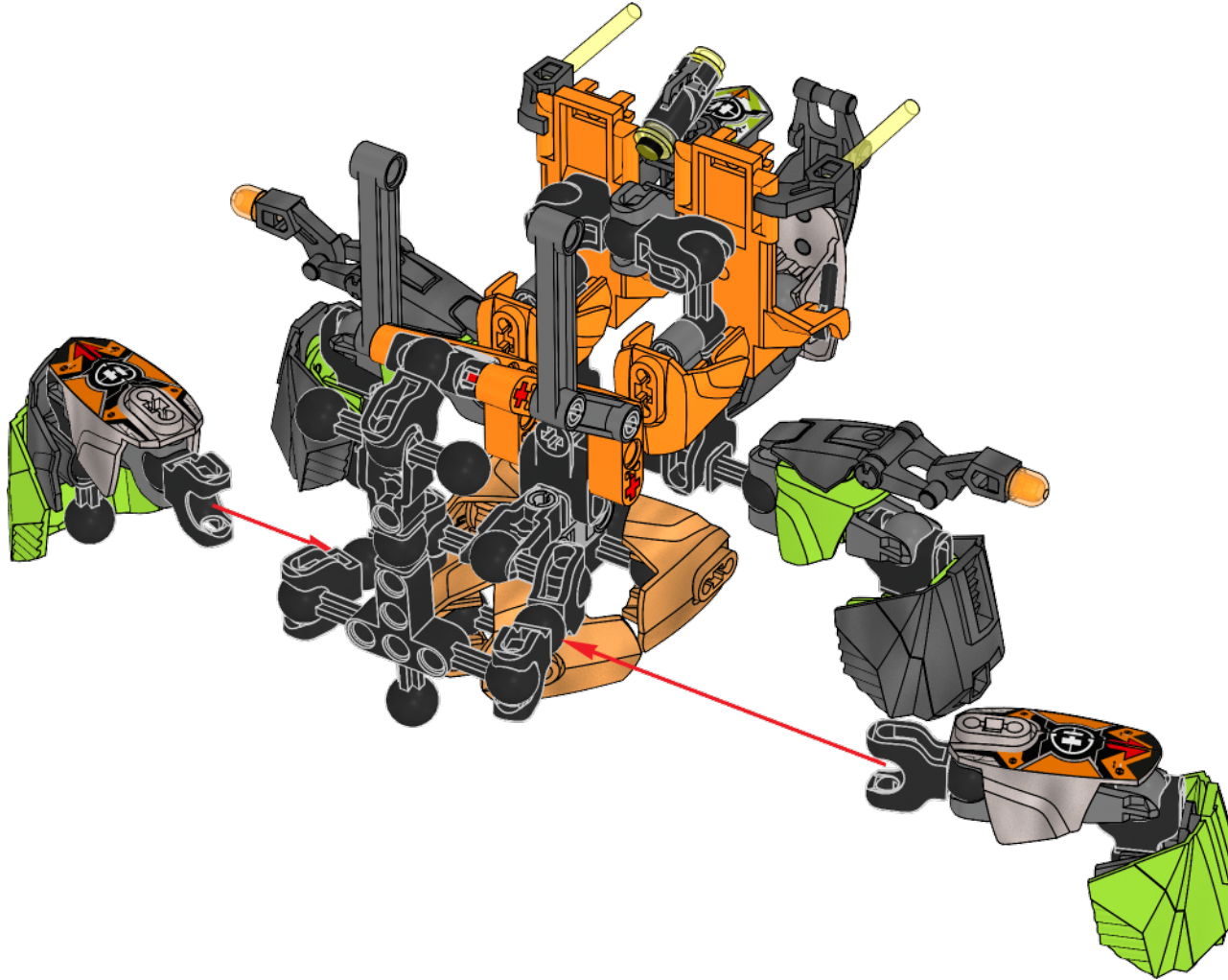
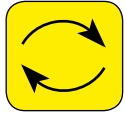


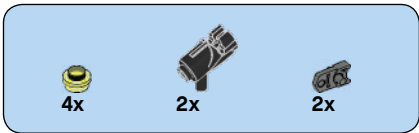


19

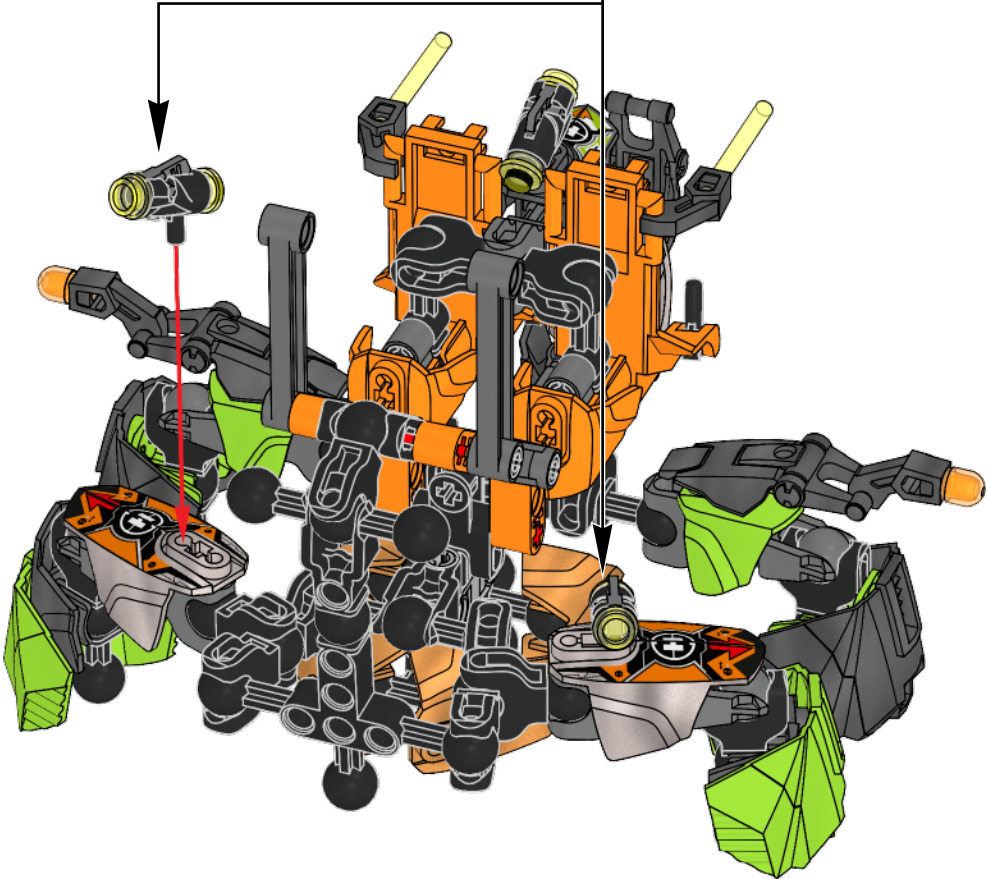
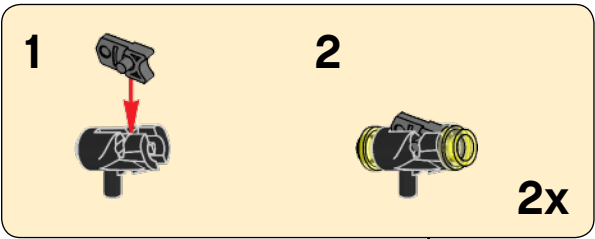


2x

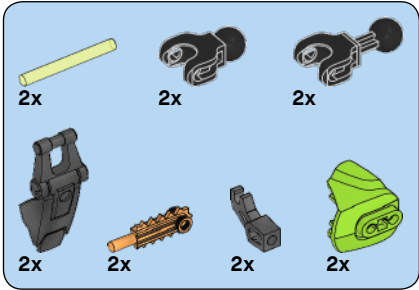
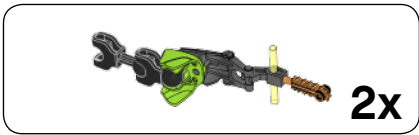




21

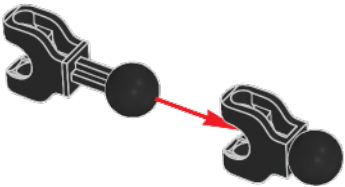






# 22

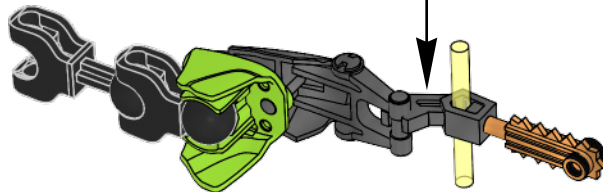
1



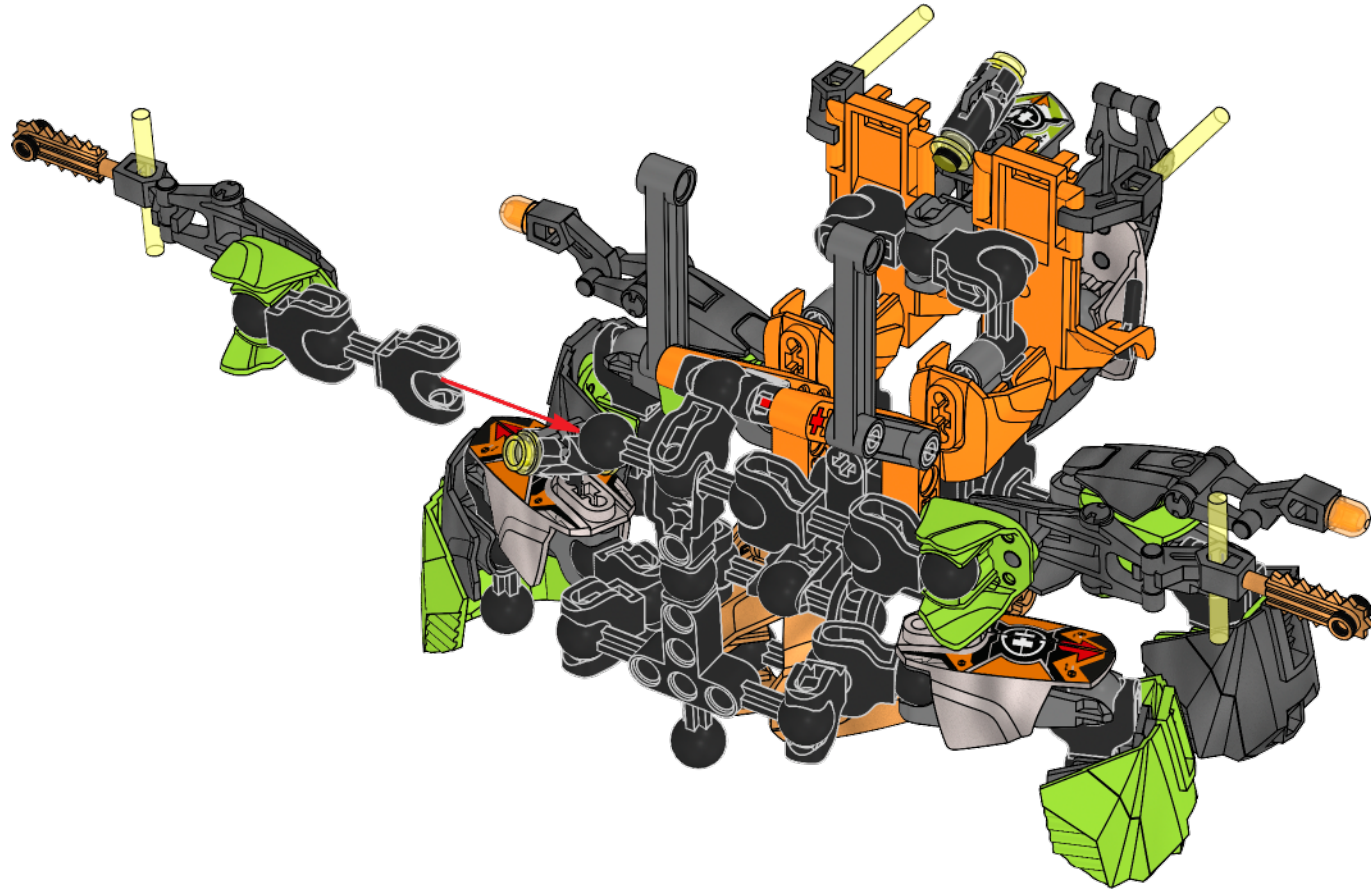
2

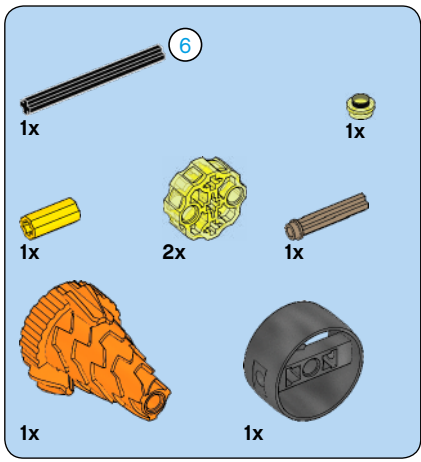


3

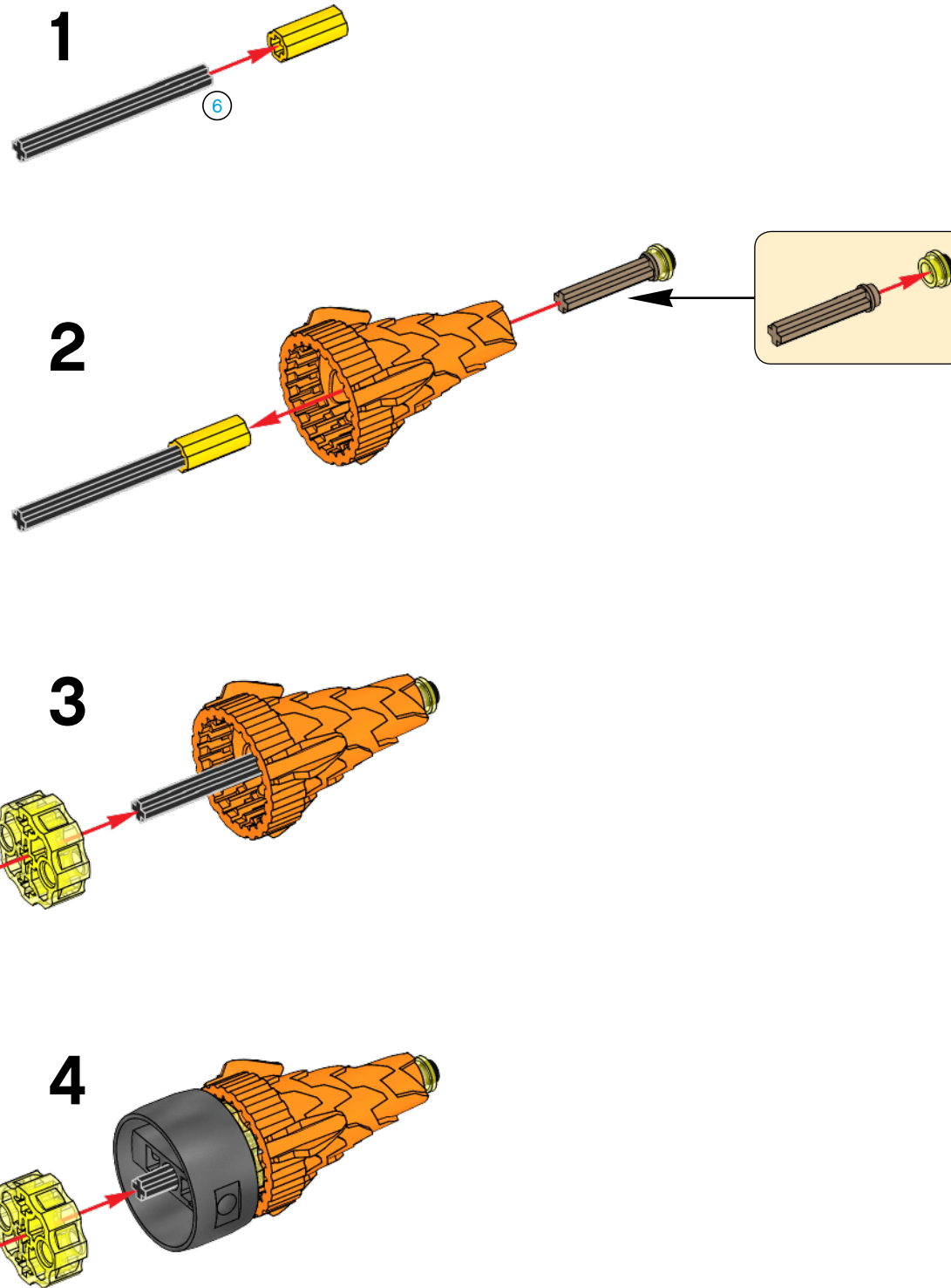


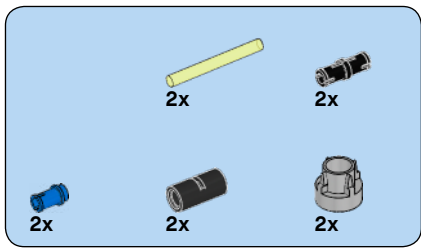
2x



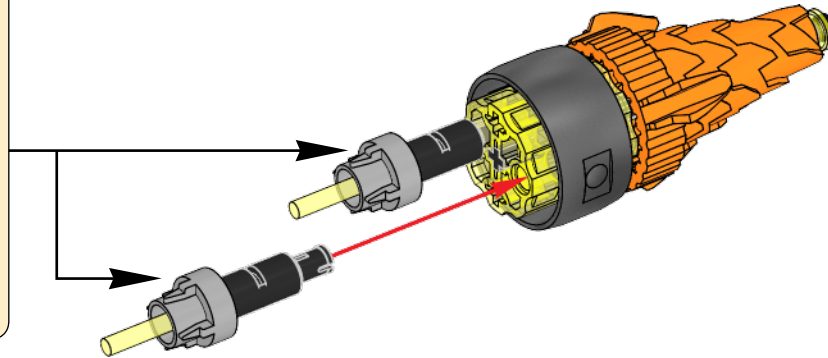
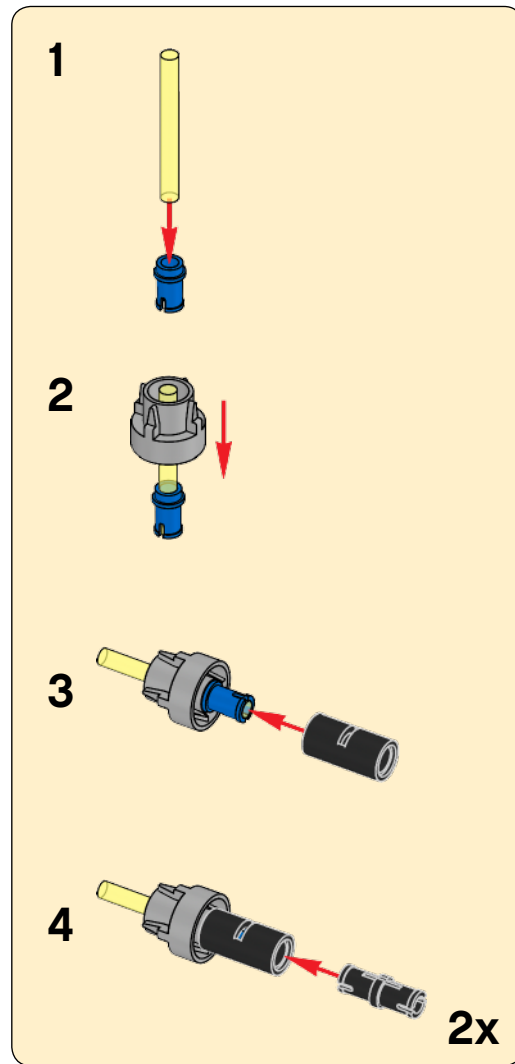


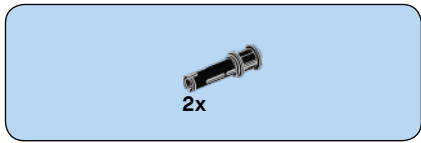
24



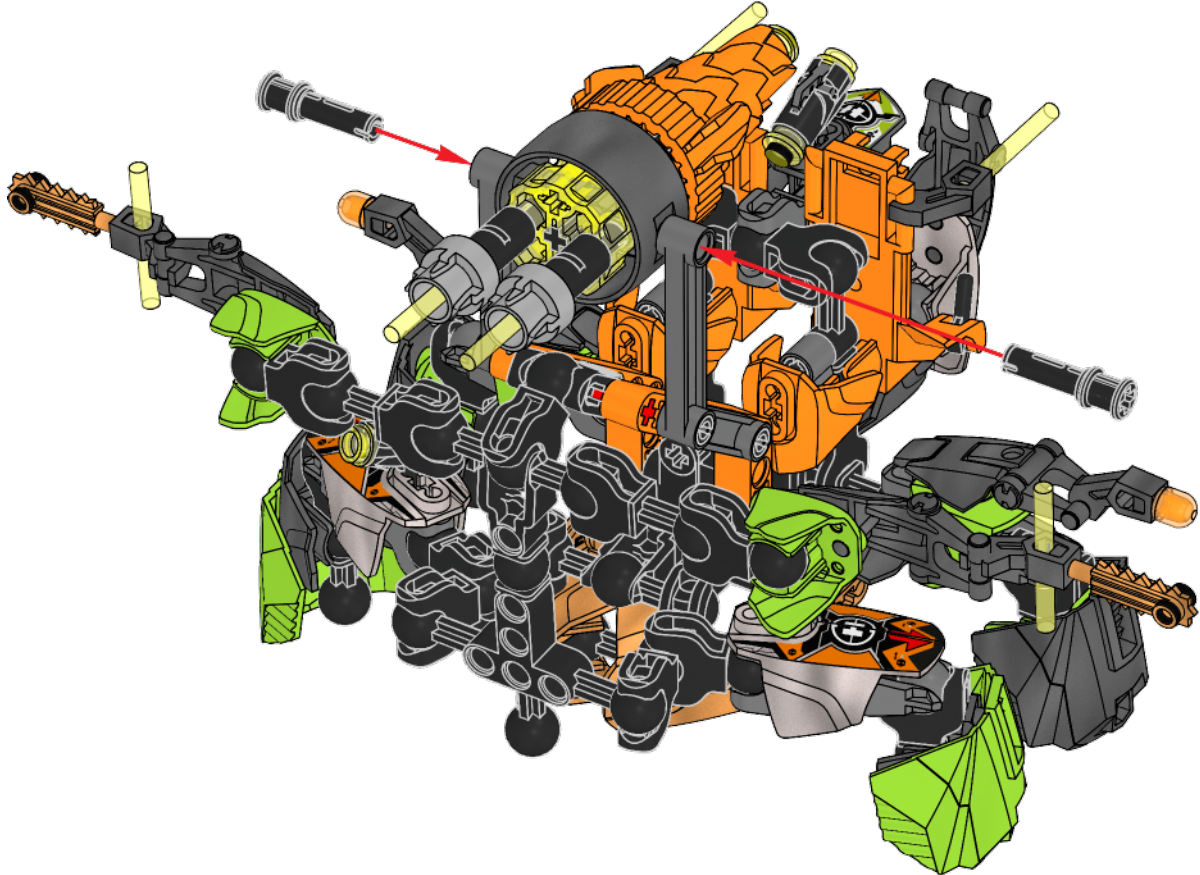


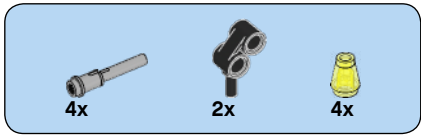
25



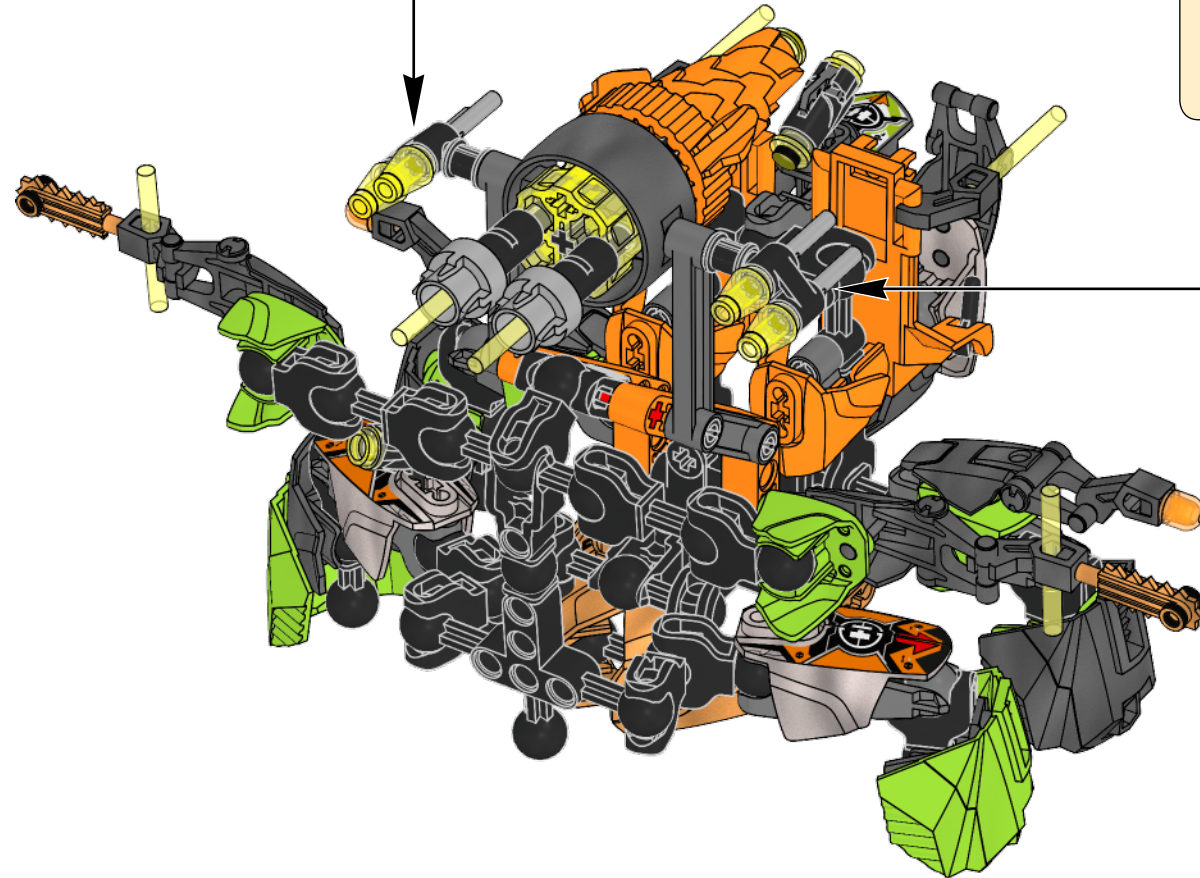
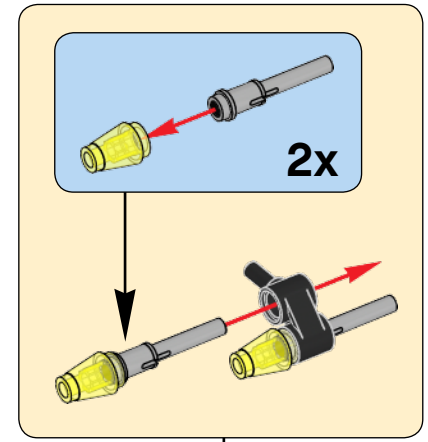
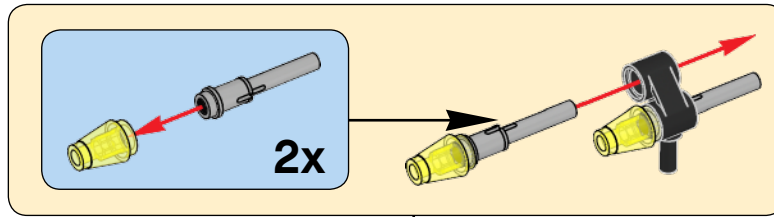


26

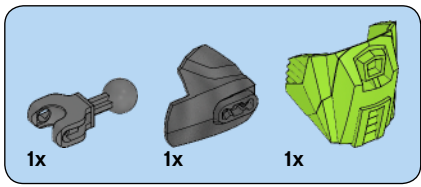




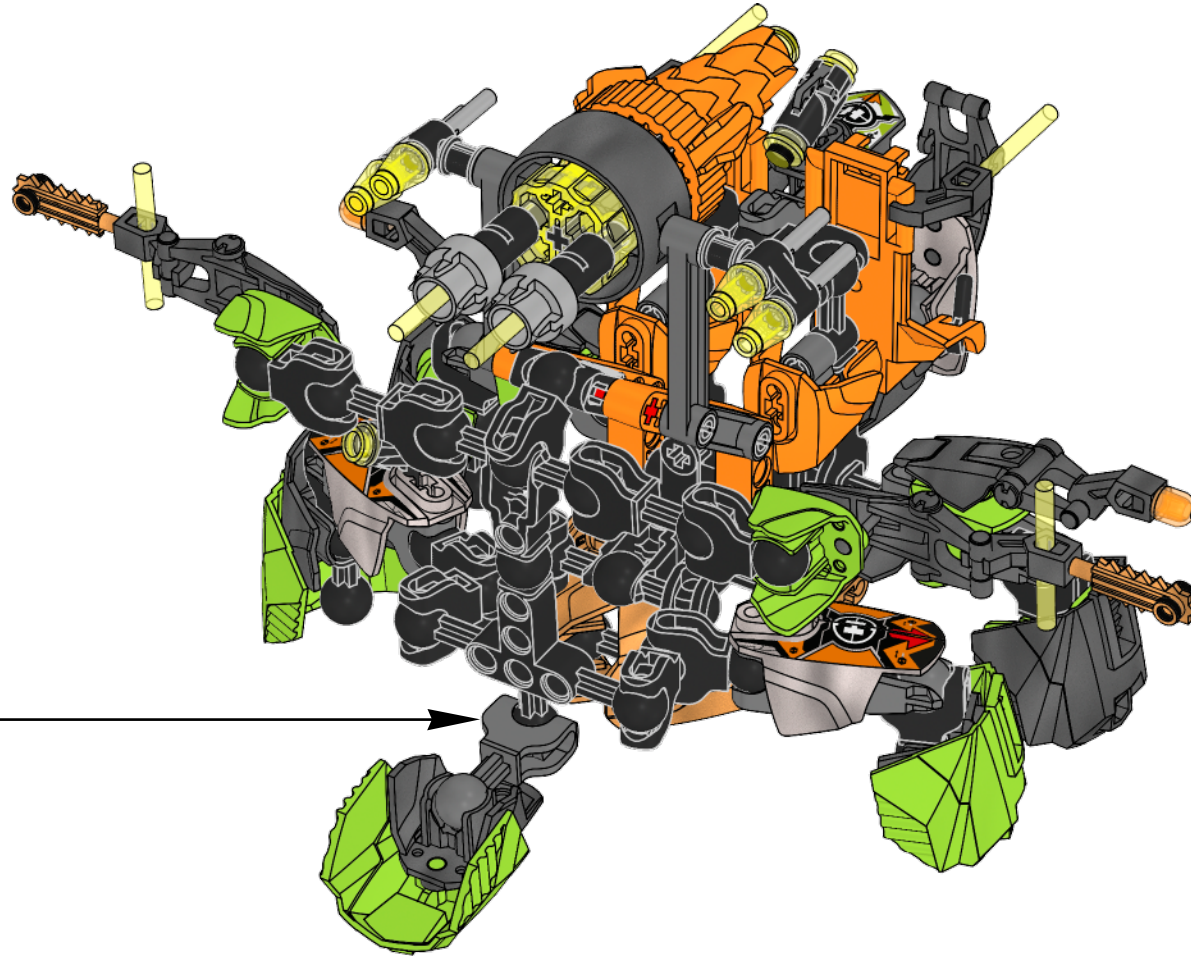
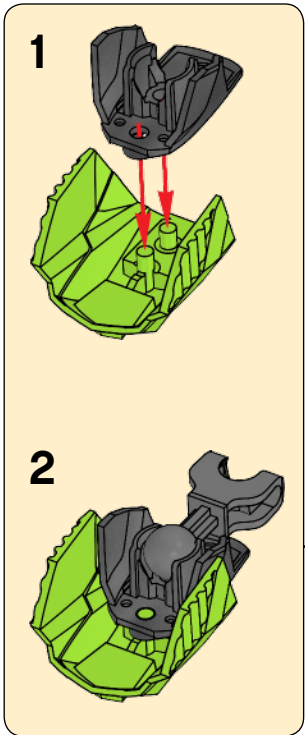
27

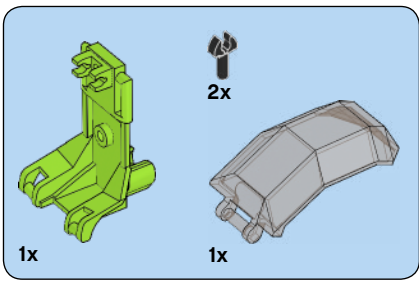






# 28





# 29

