

LEGO mindstorms[®]
EV3

EV3MEG



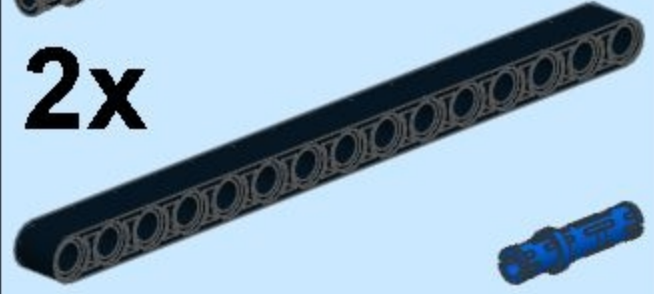
Model Design, Building
and Programming Instructions
by: **Martyn Boogaarts**

1



15

2x



1x

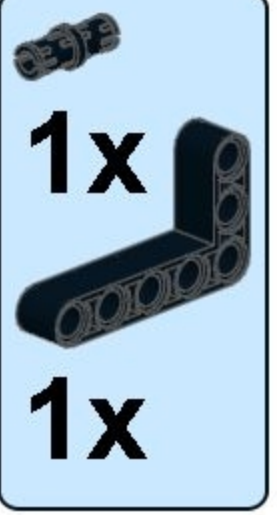


3x



2

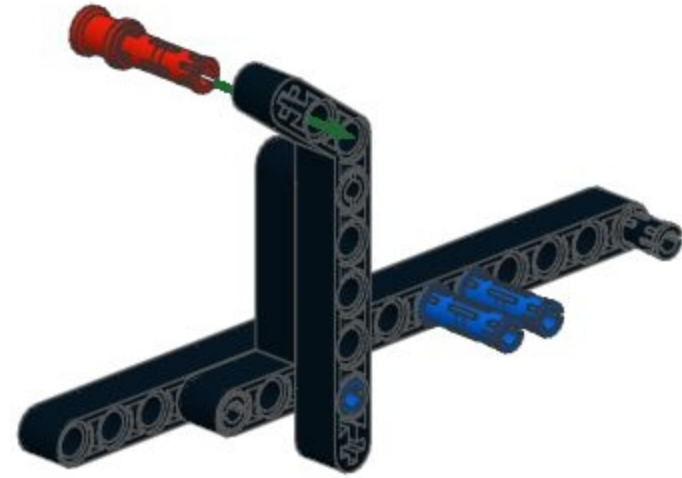
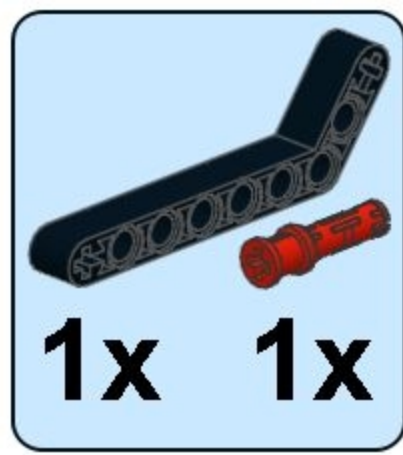
1x



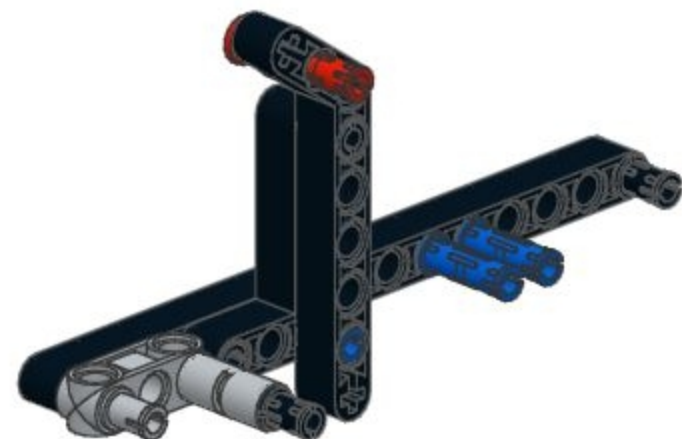
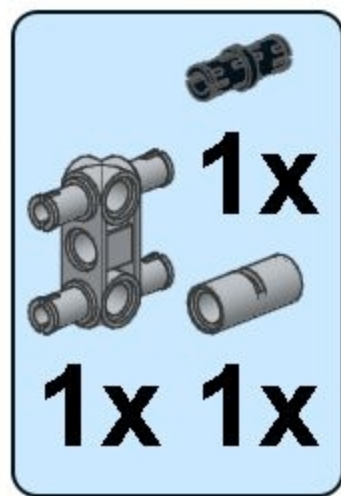
1x



3



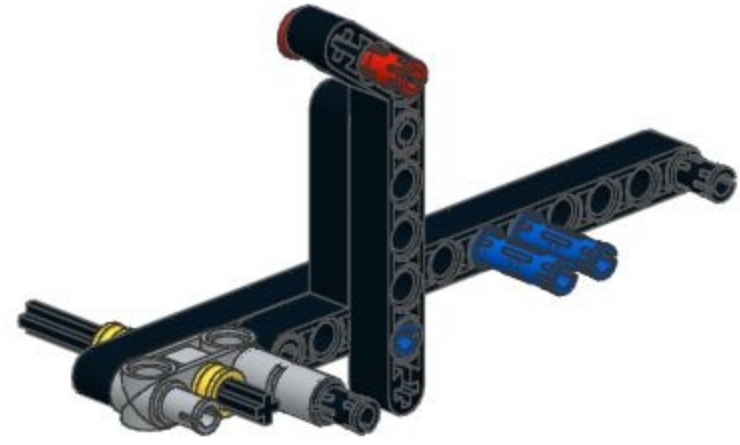
4



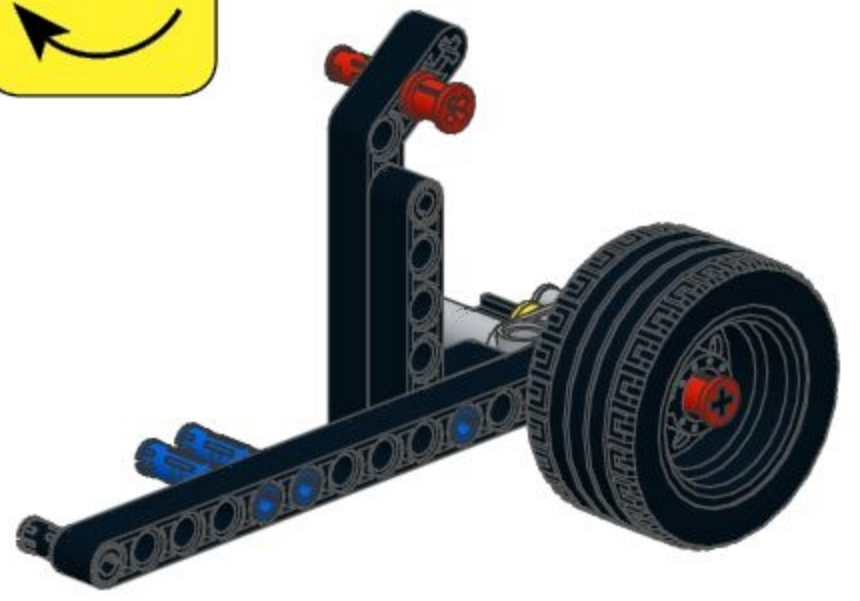
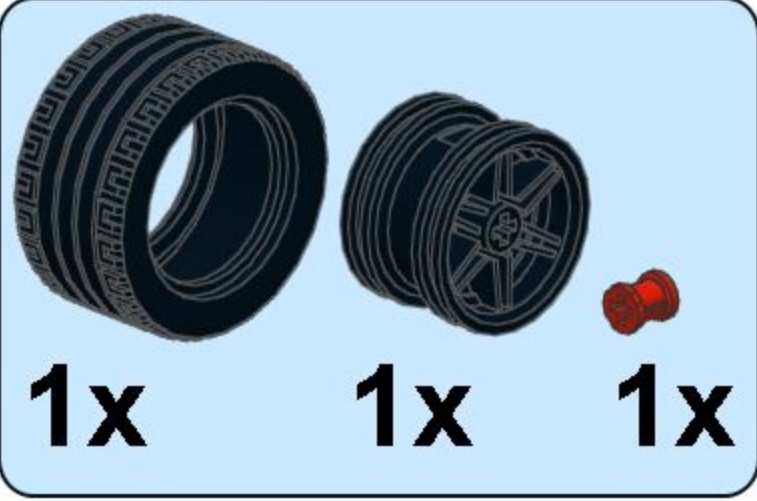
5

2x  6

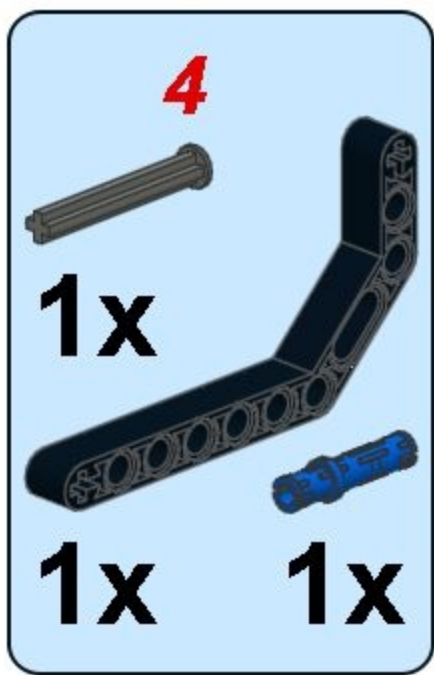
1x 



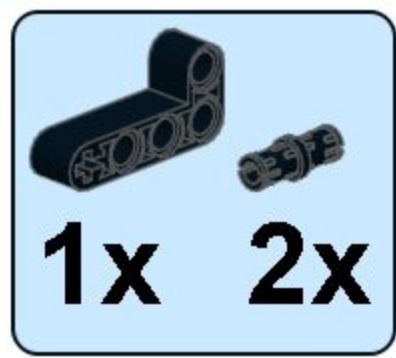
6









1

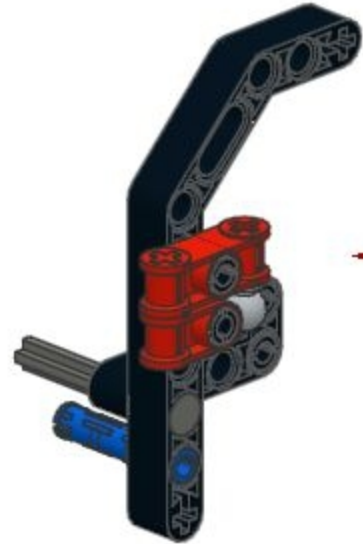




2




3

	
2	1x
	
1x	2x
	
1x	1x



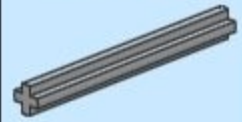
1	
2	



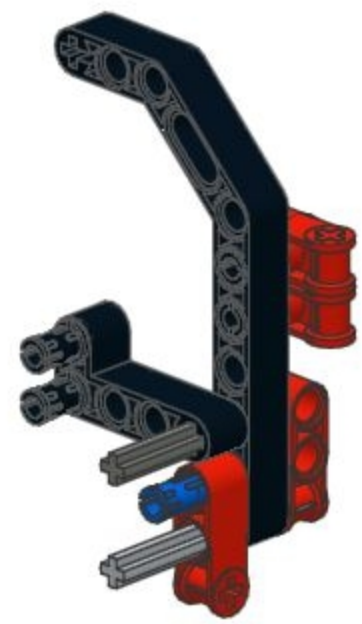
4



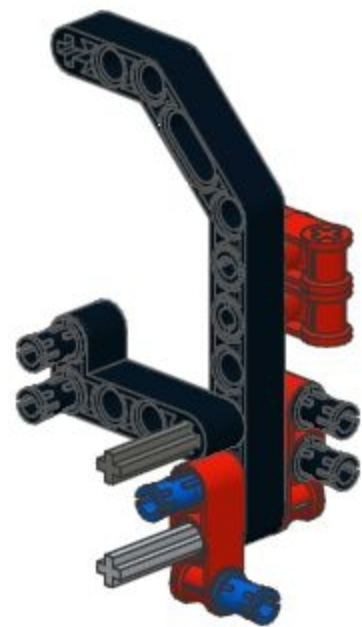
2x 5



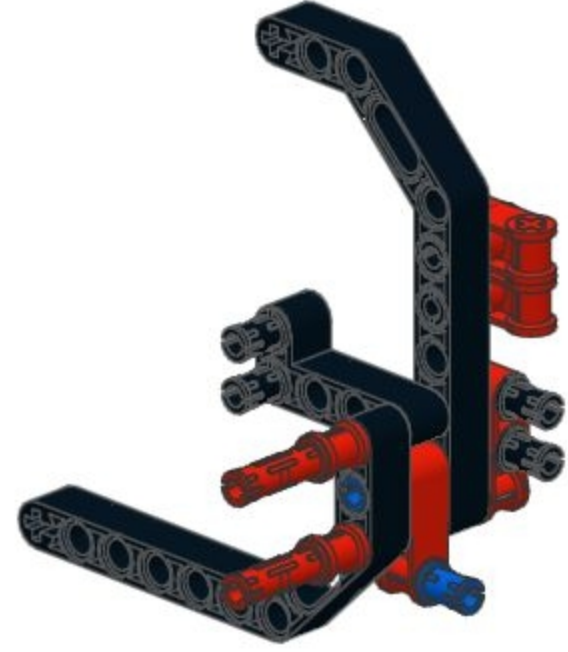
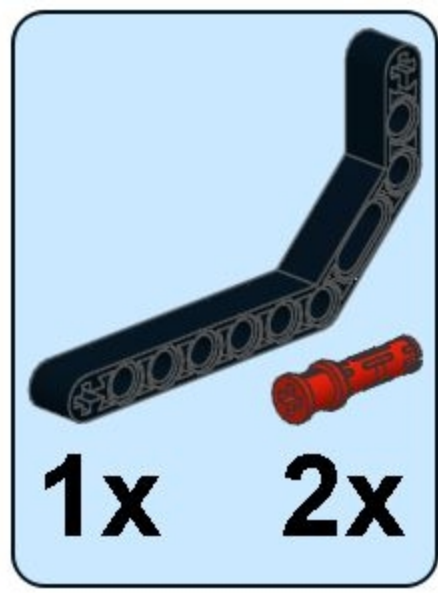
1x



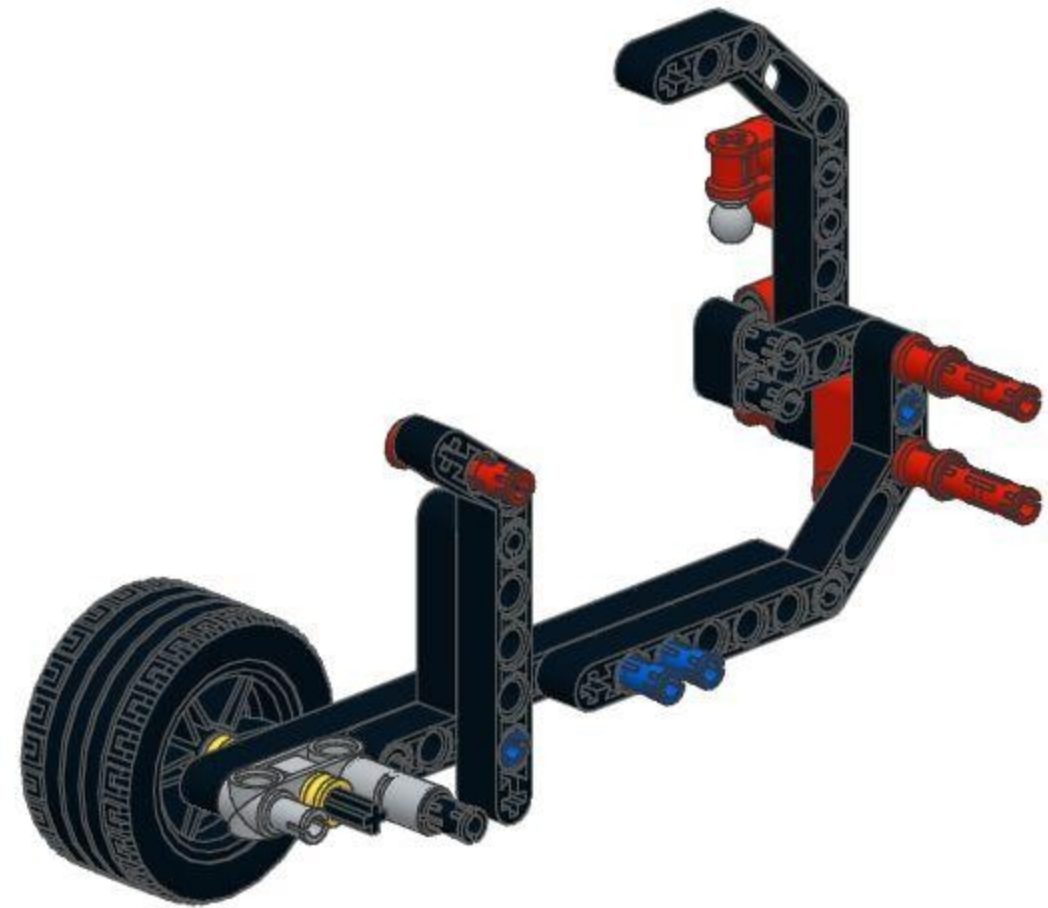
5
2x 1x



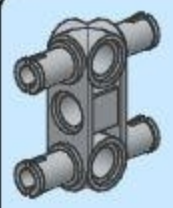
6



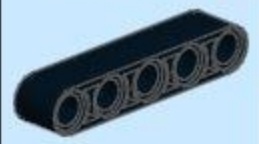
7



8



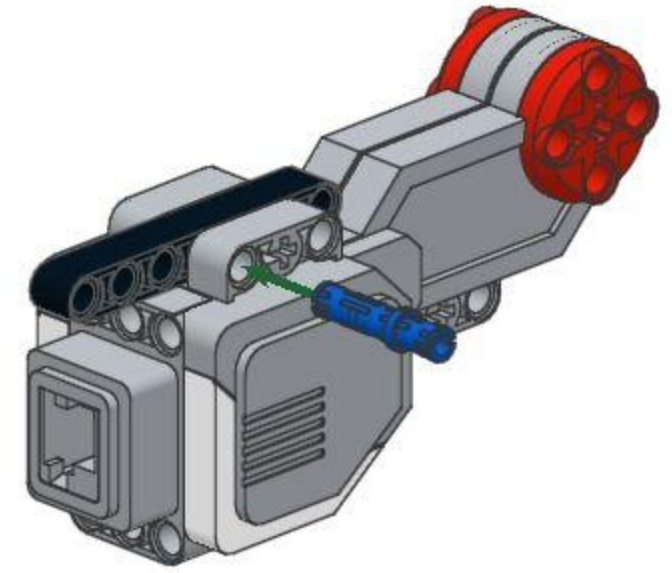
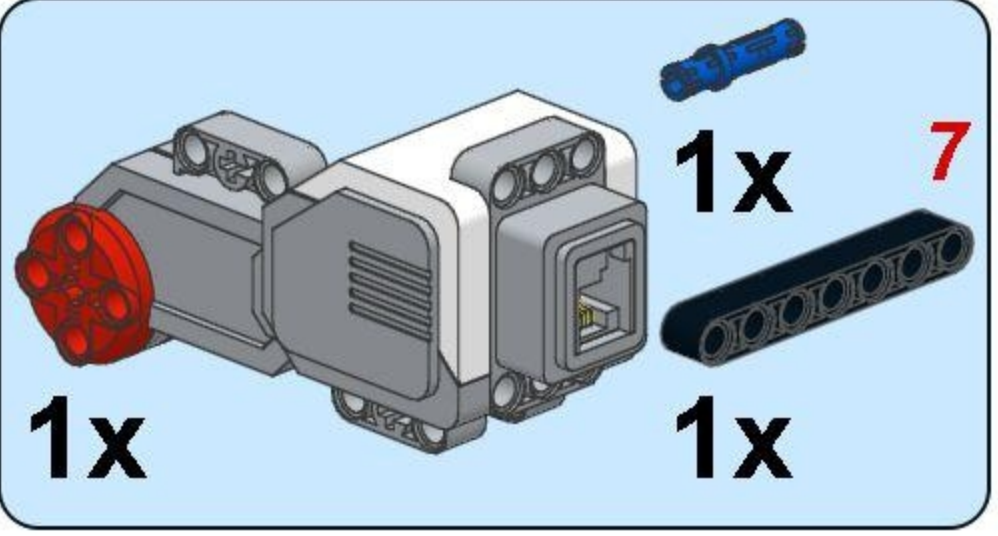
1x 5



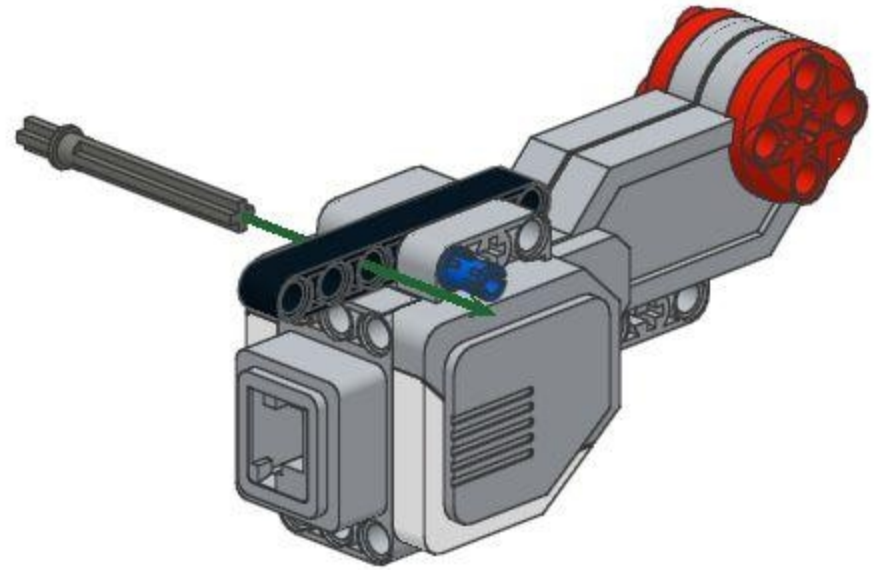
1x



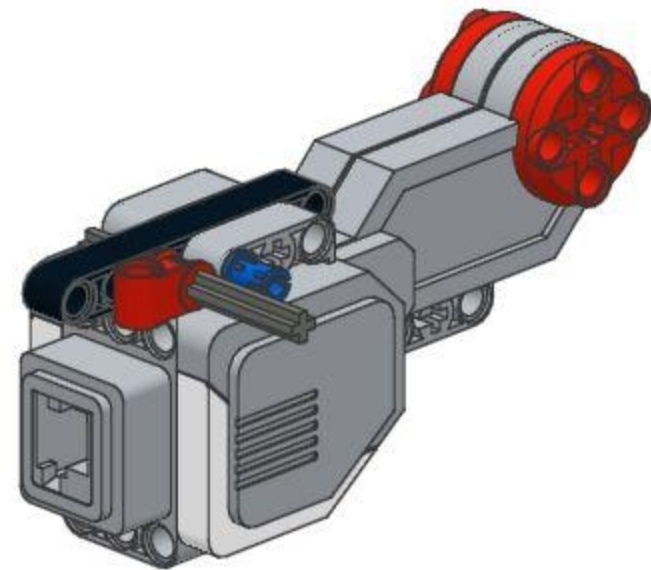
1




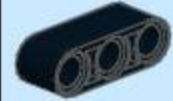

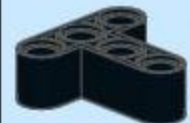

2


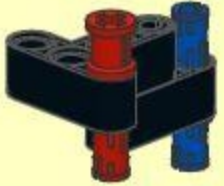


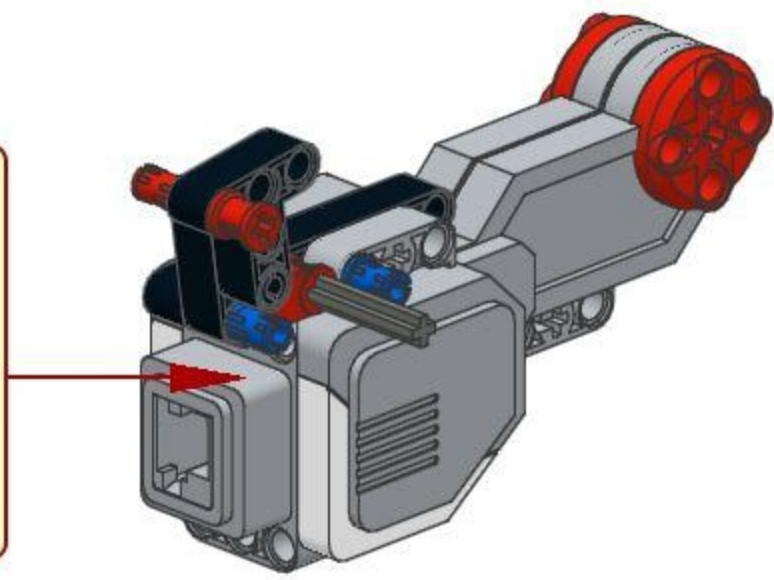
3
1x



4

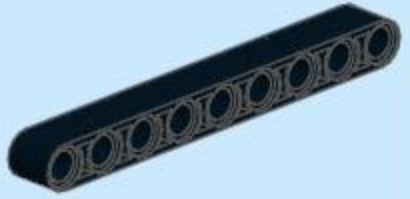
	
	3 2x
	1x
	1x
	1x

1	
2	

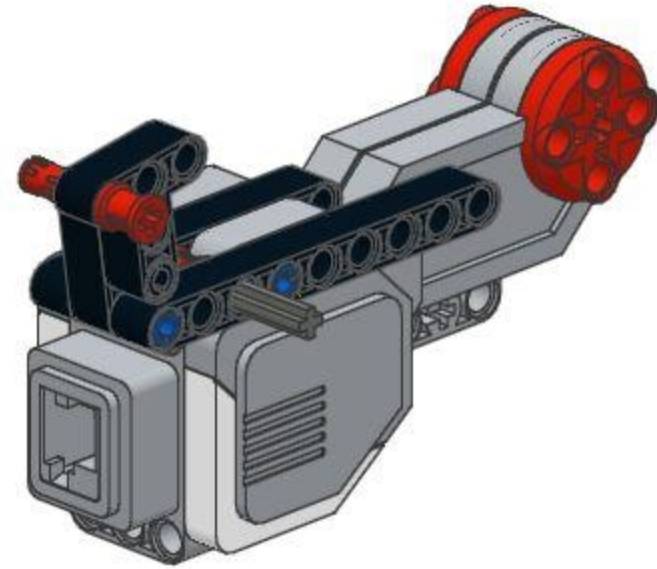


5

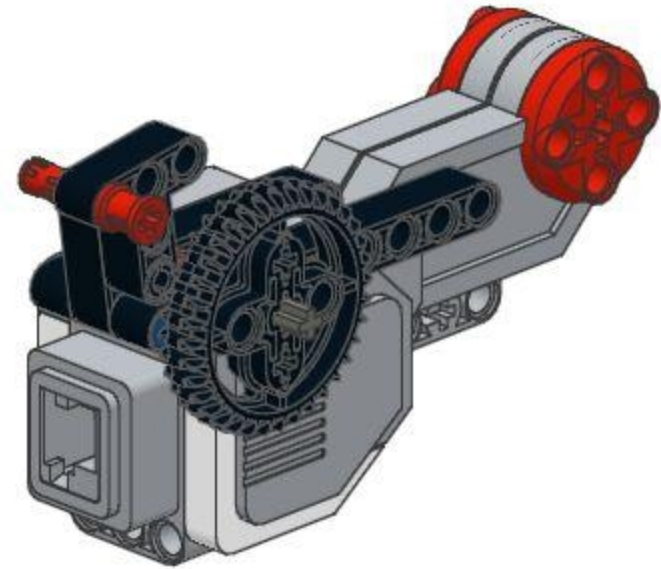
9



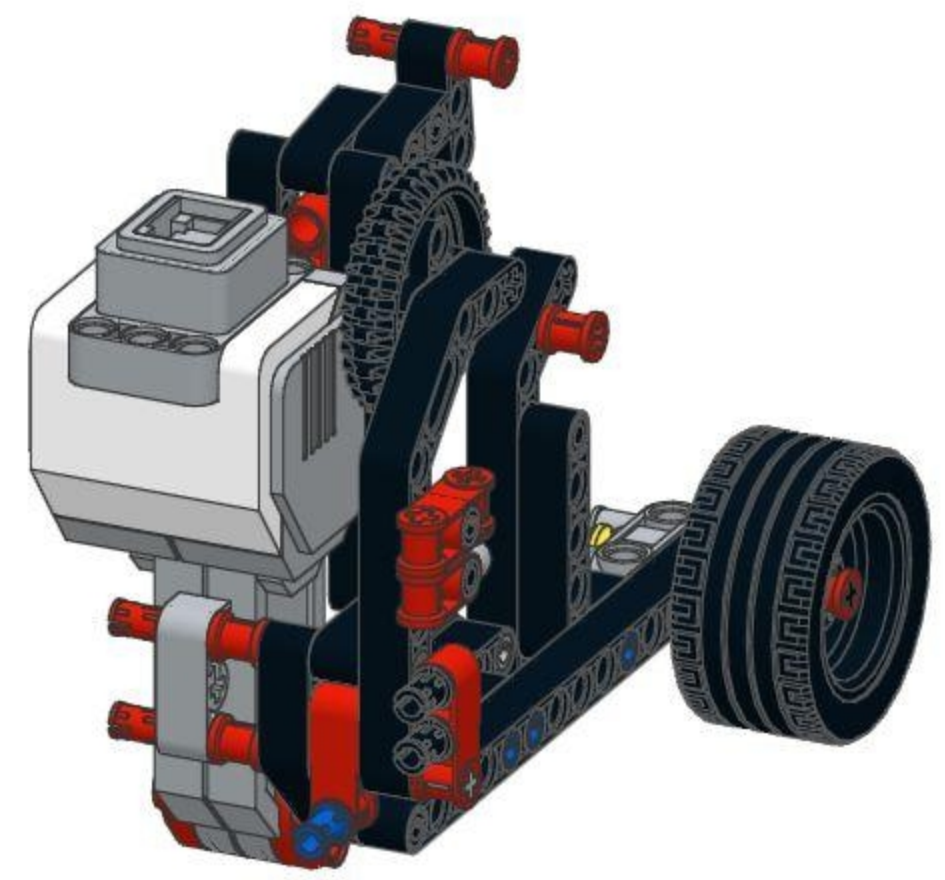
1x



6



9



10



1x



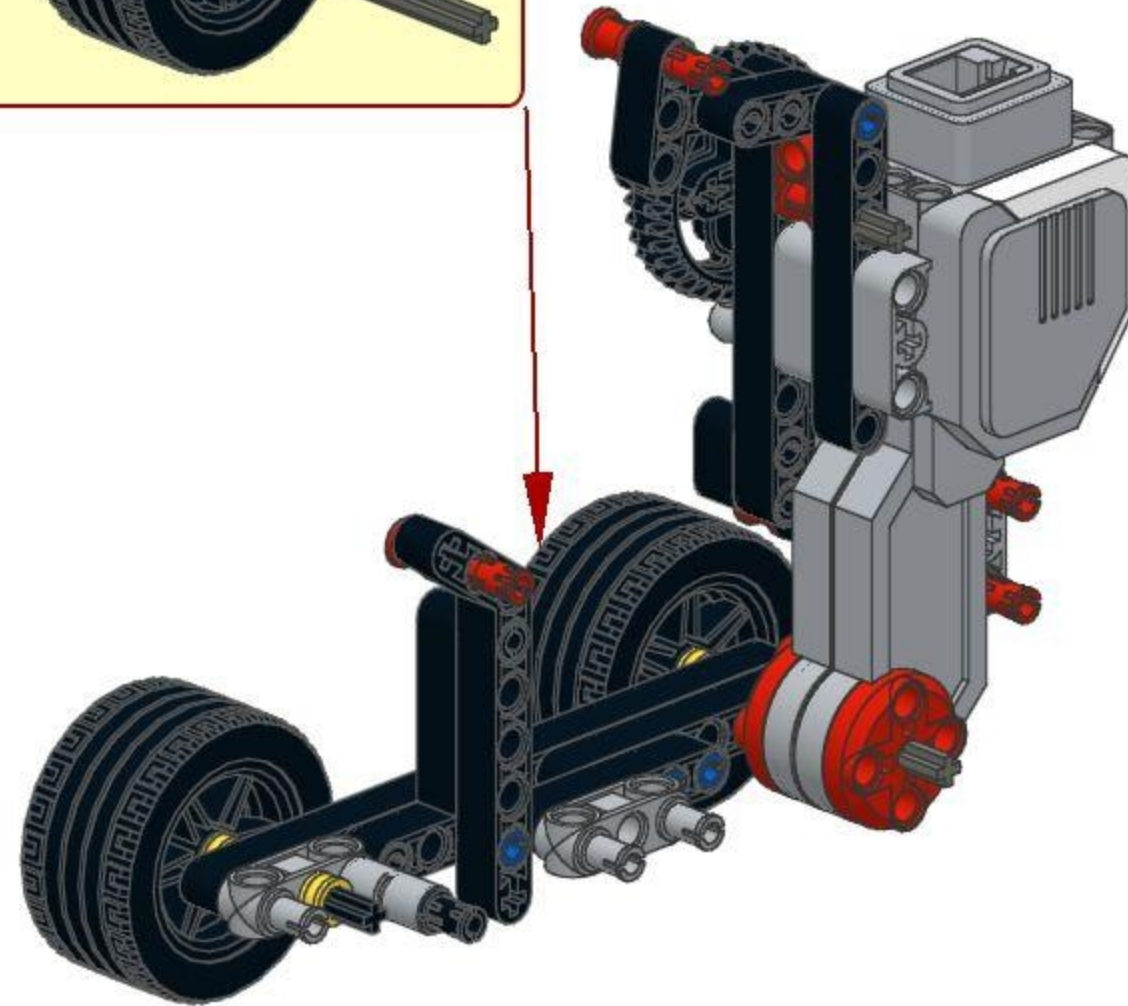
1x



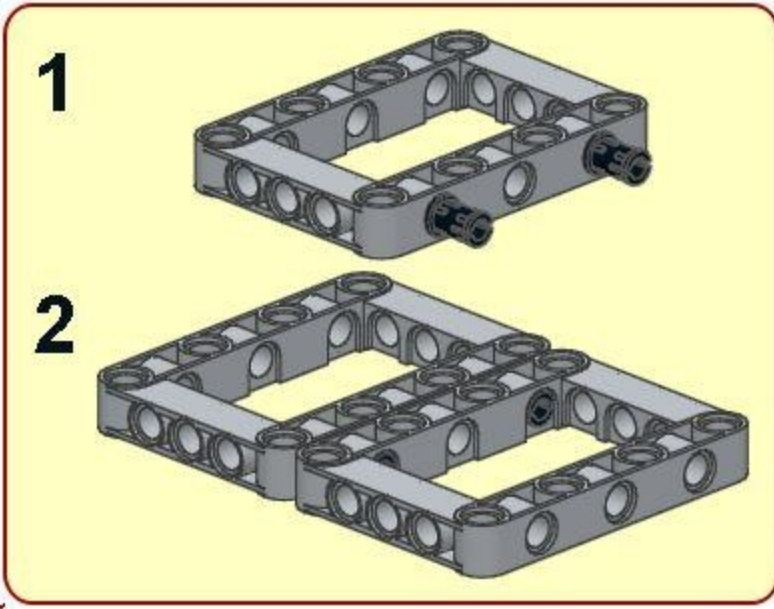
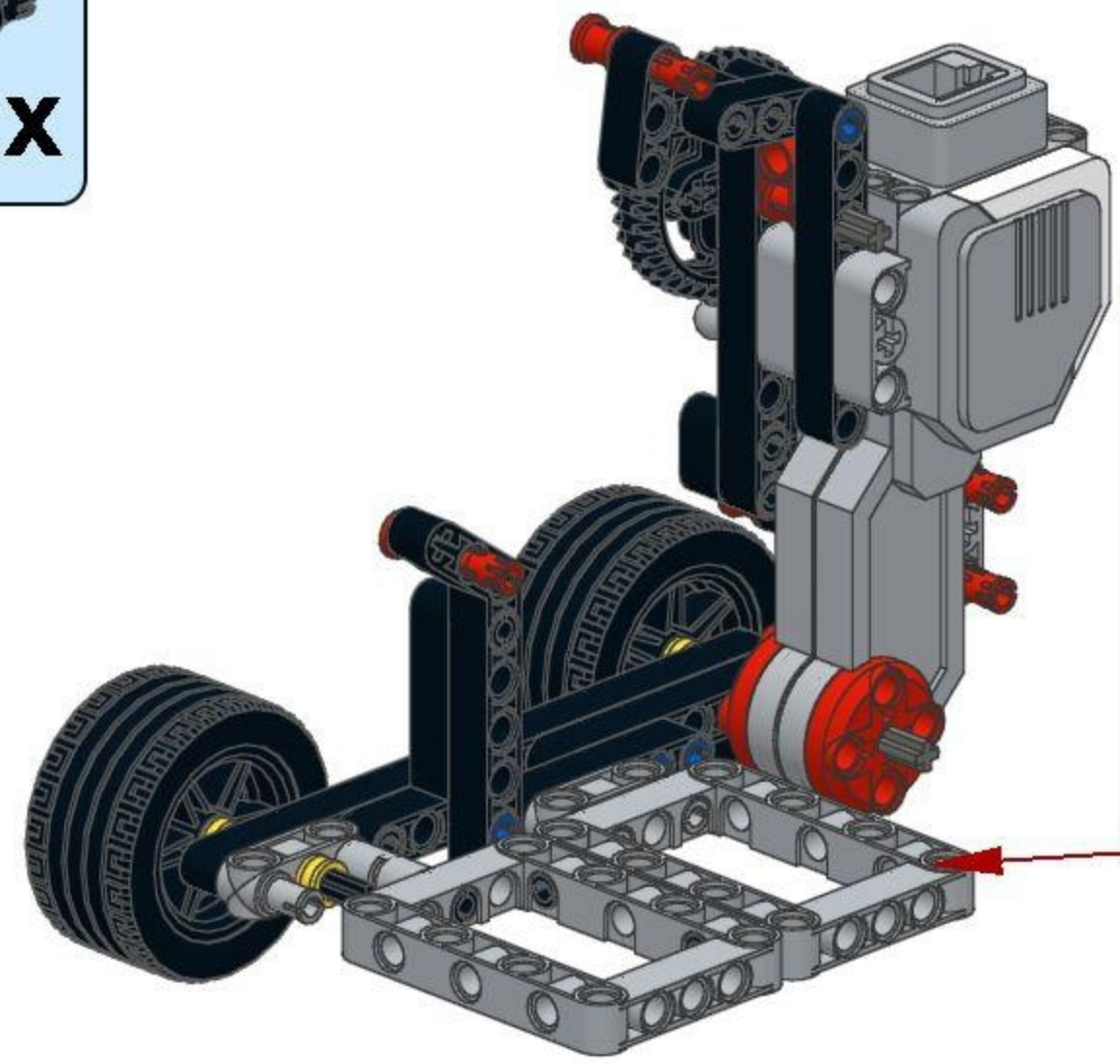
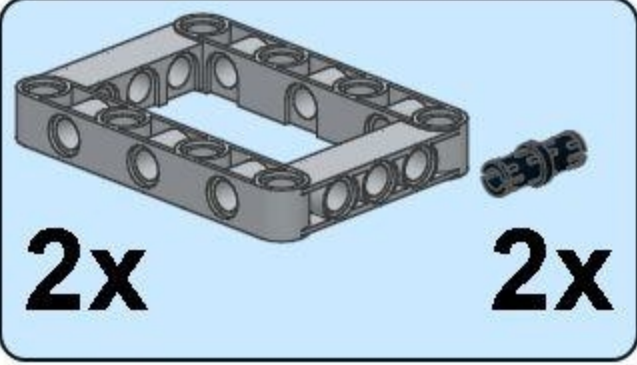
1x

1x

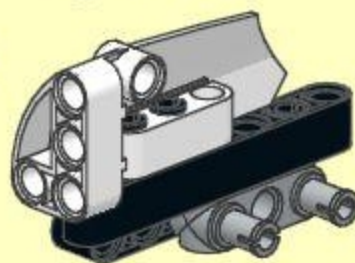
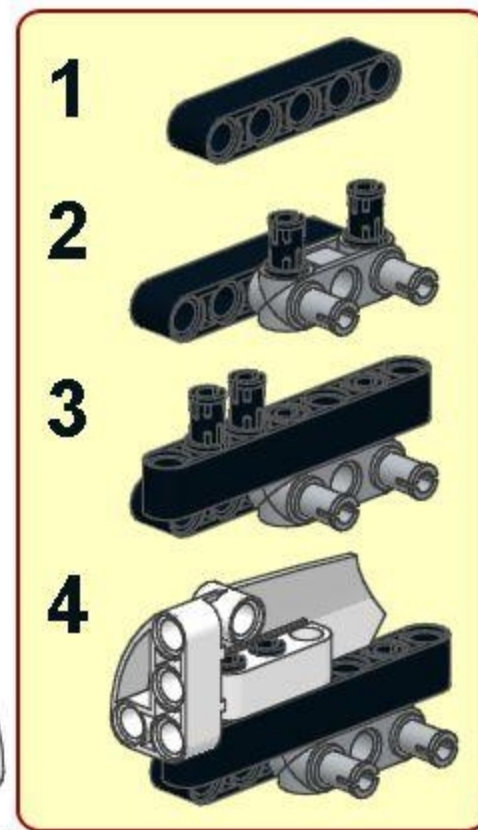
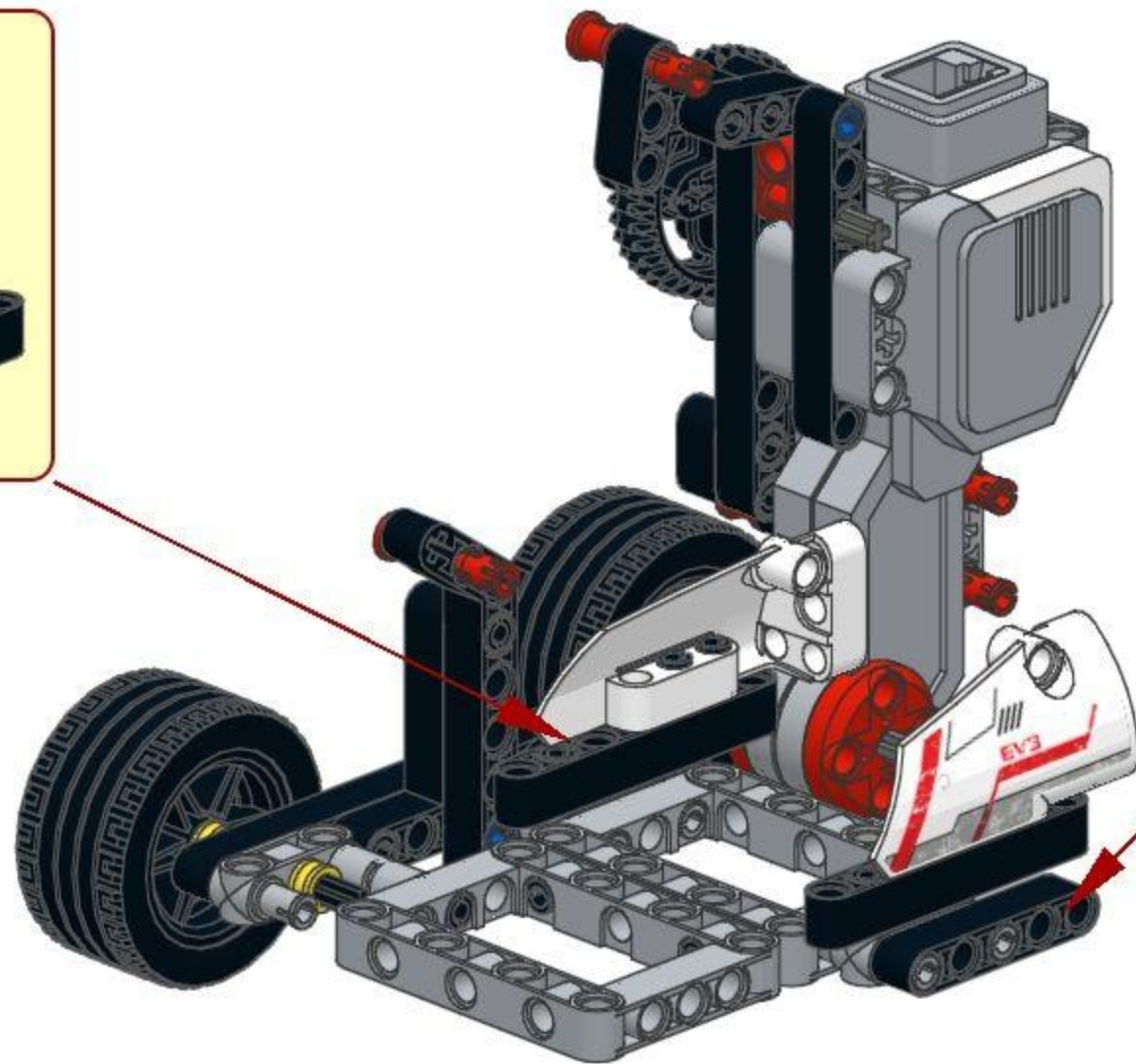
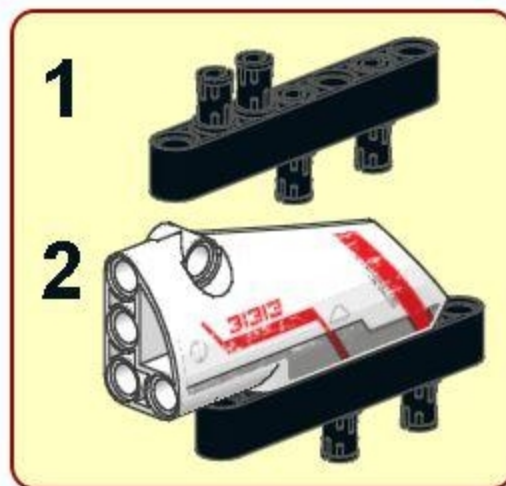
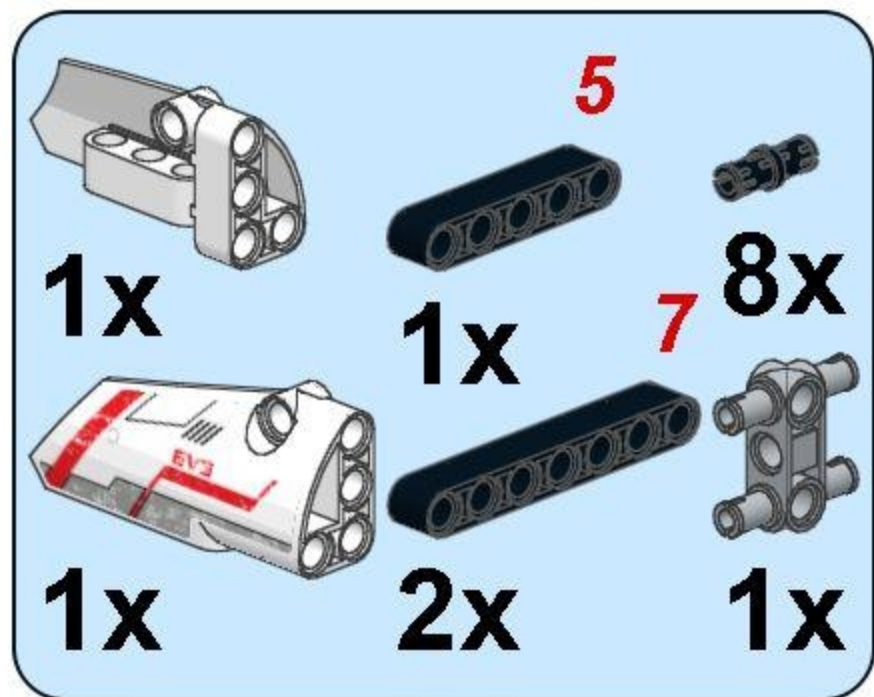
8

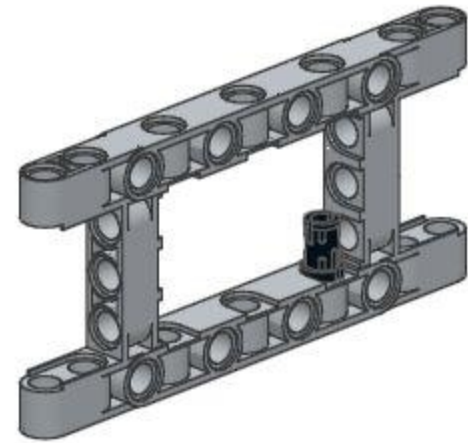
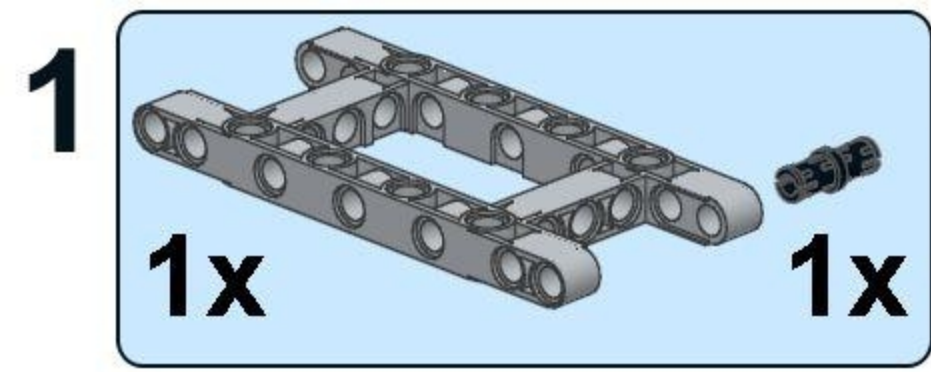


11

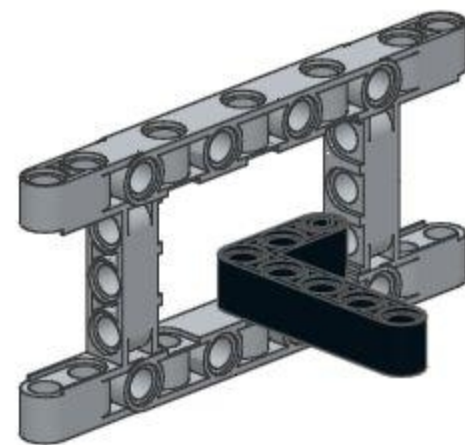
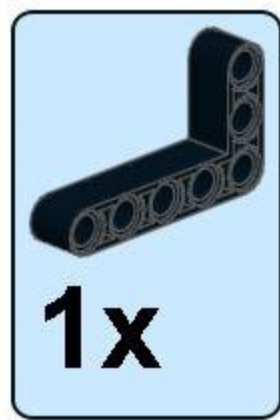


12



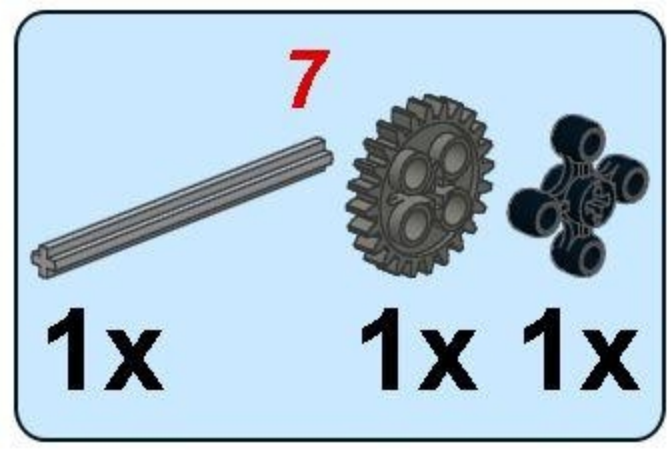


2



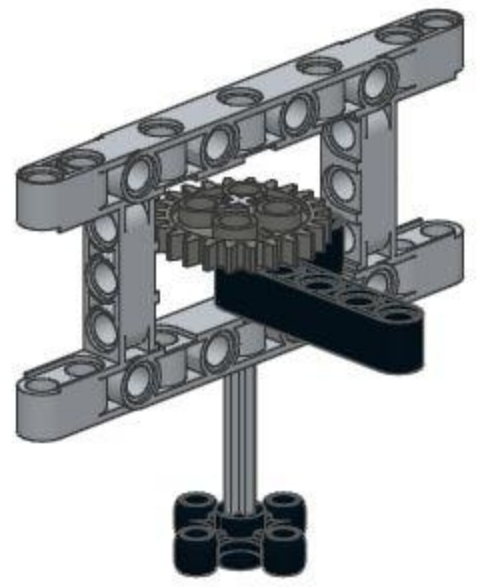
3

7






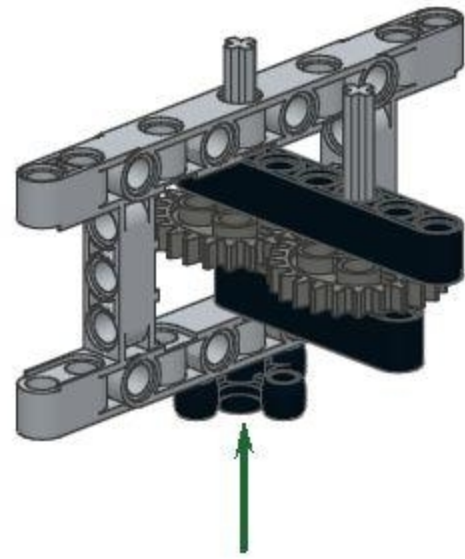
1x 1x 1x

This block contains a parts list for step 3. It features three items: a grey axle, a grey gear, and a black connector. The number '7' is written in red above the gear. Below each item is the quantity '1x'.



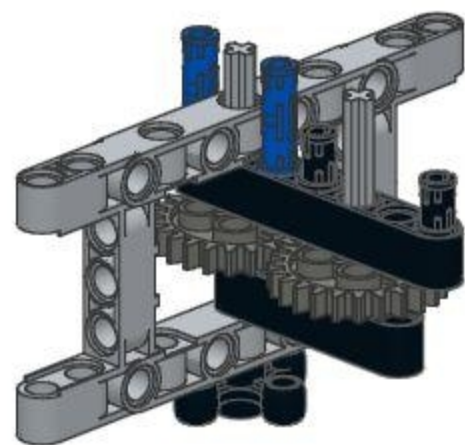
4

-  1x 5
-  1x 7
-  1x

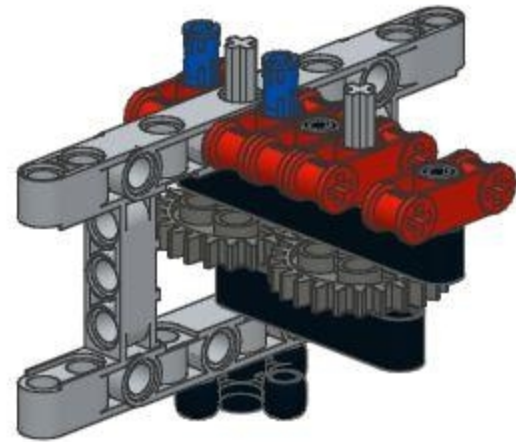


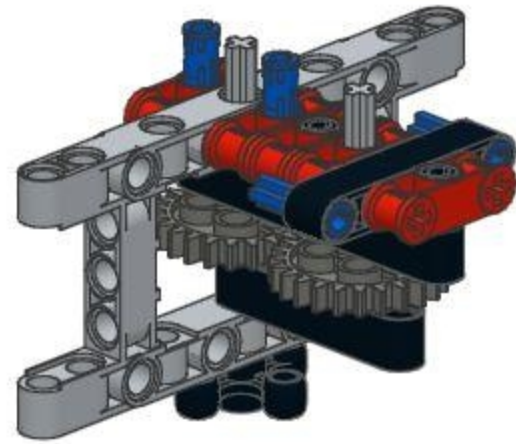
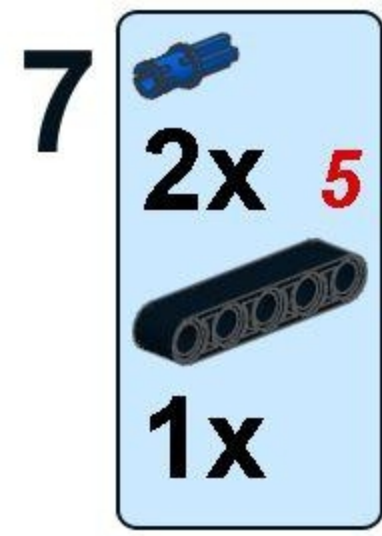
5

2x 2x



6
5x



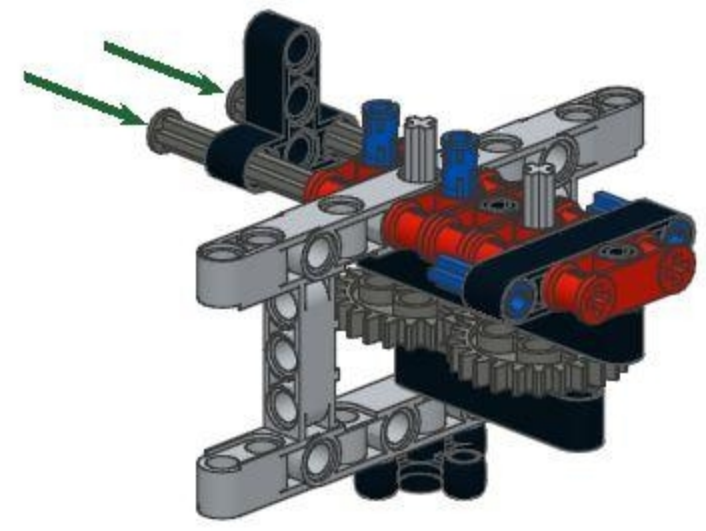
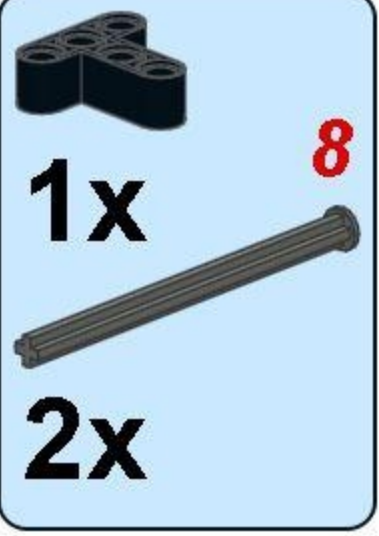


8

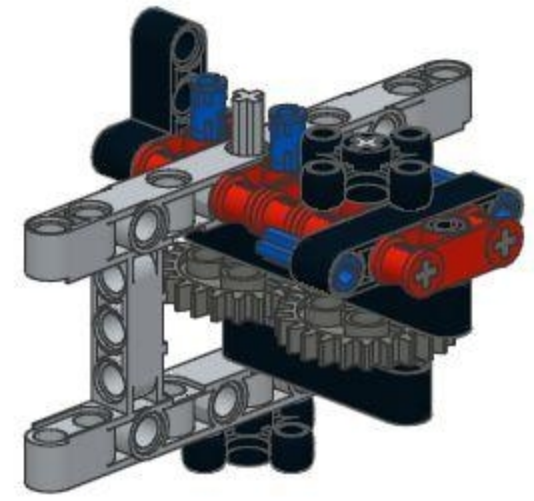
1x

2x

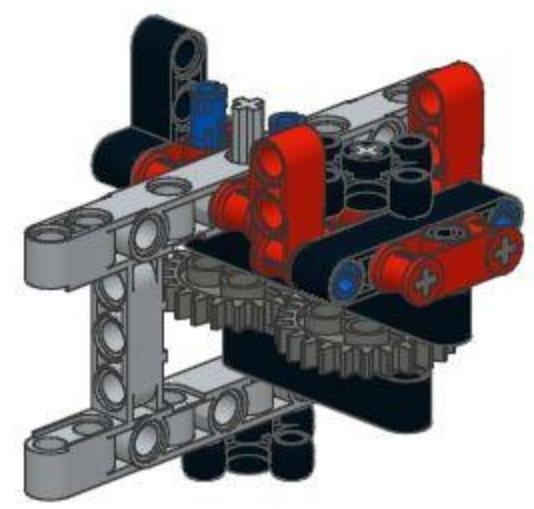
8



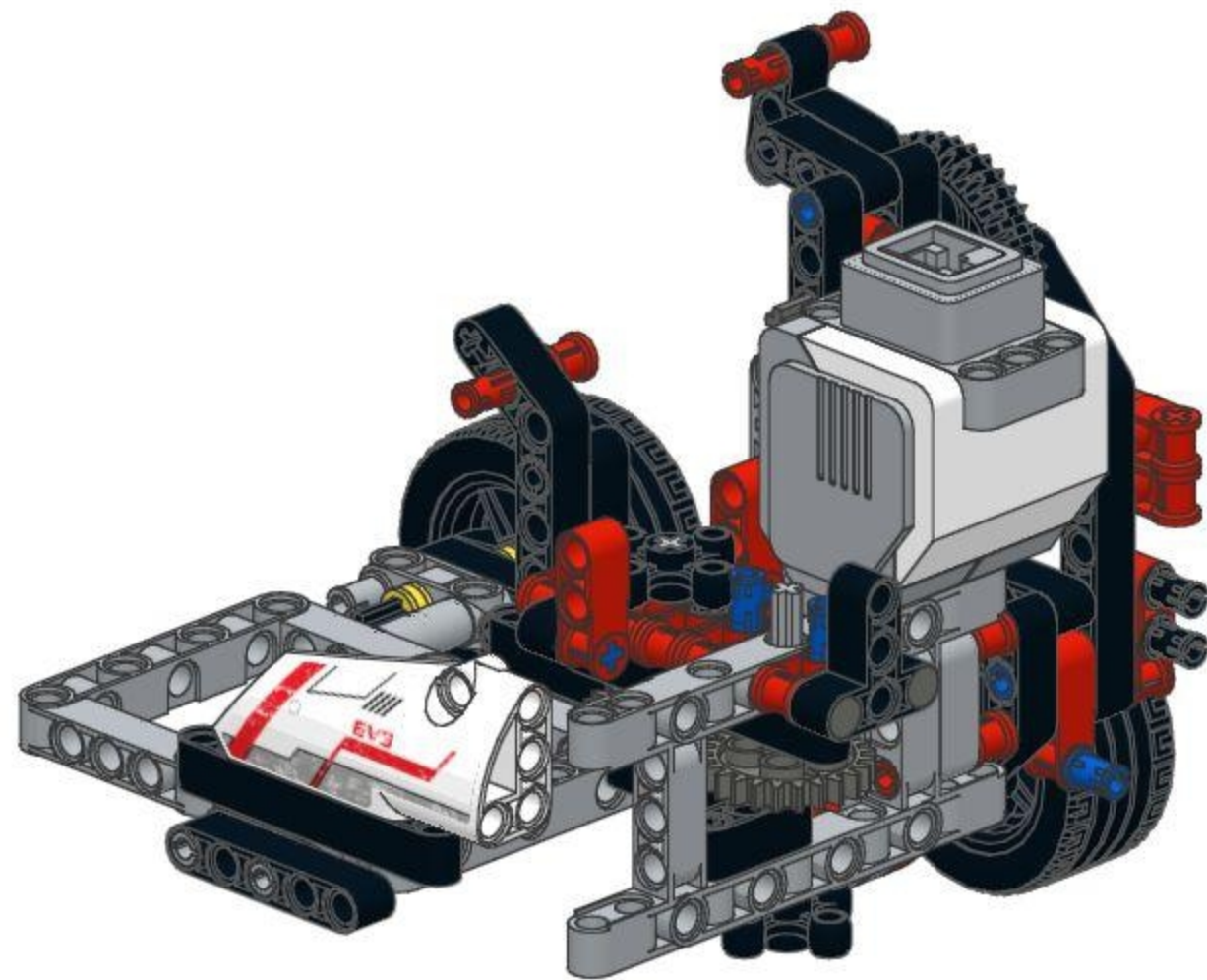
9



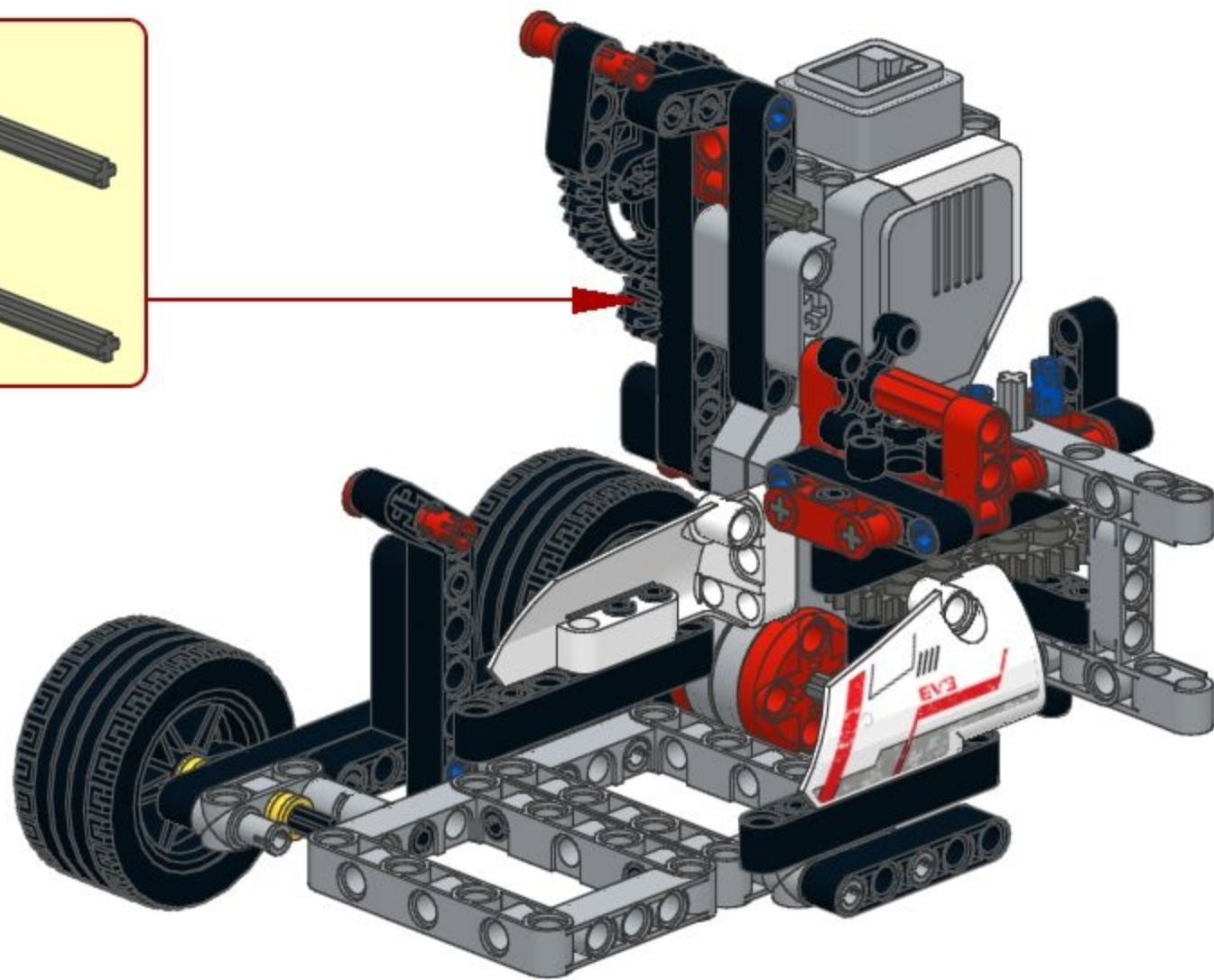
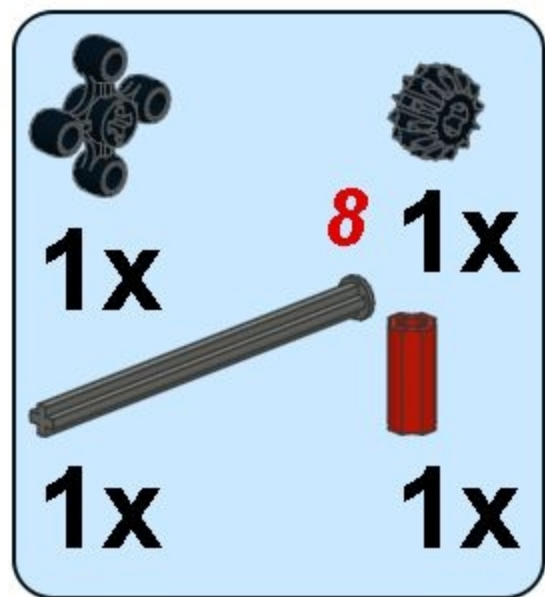
10  2x



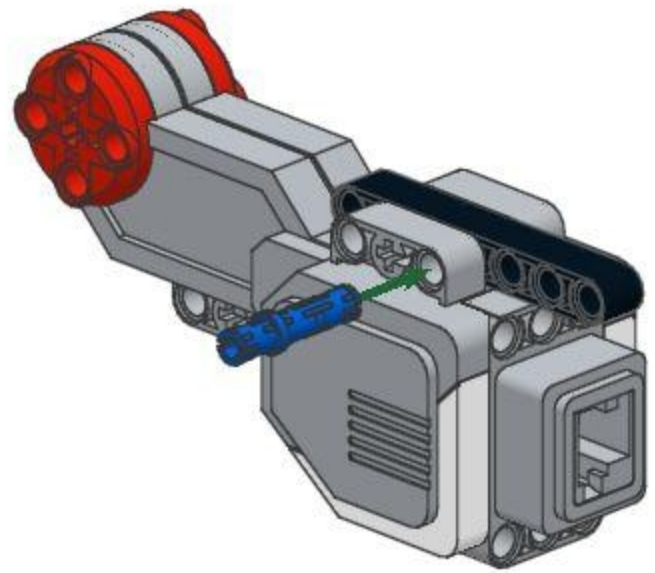
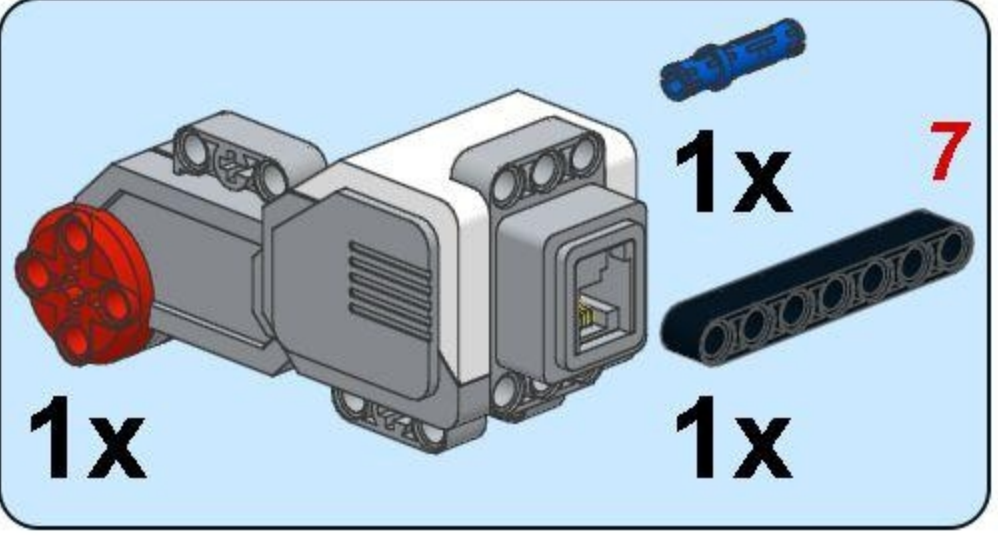
13



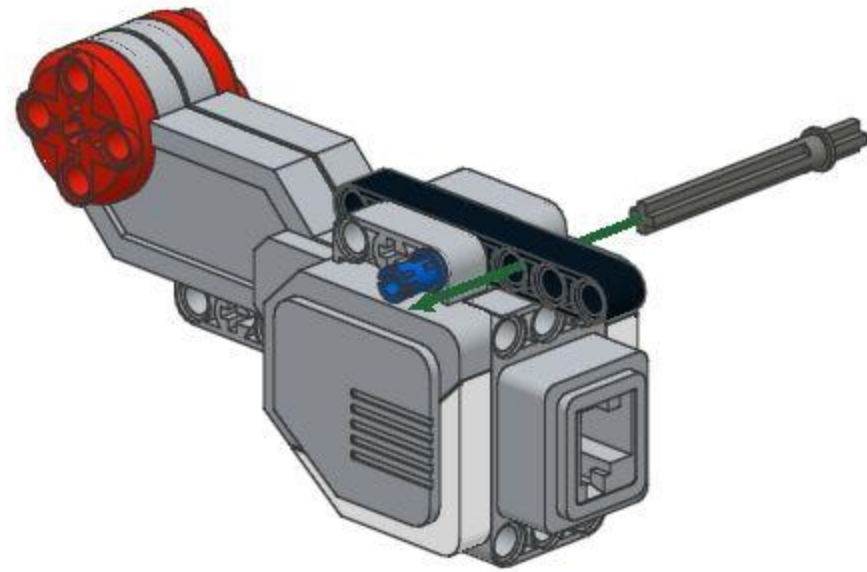
14



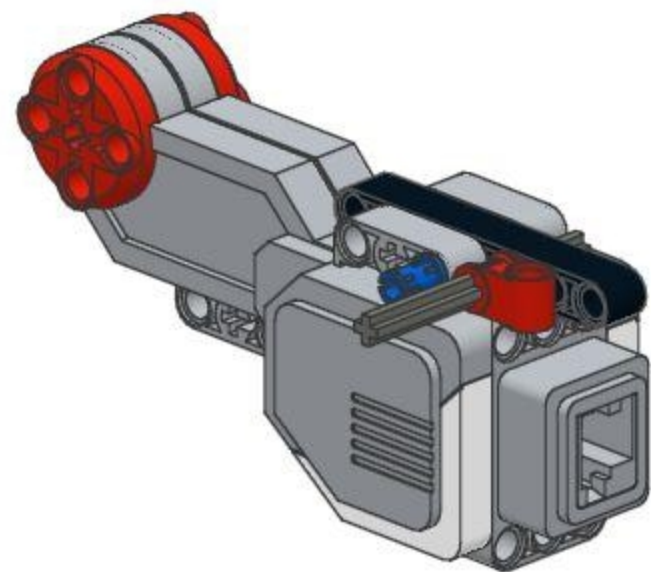
1



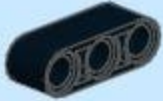


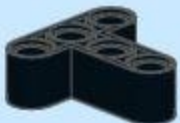

2

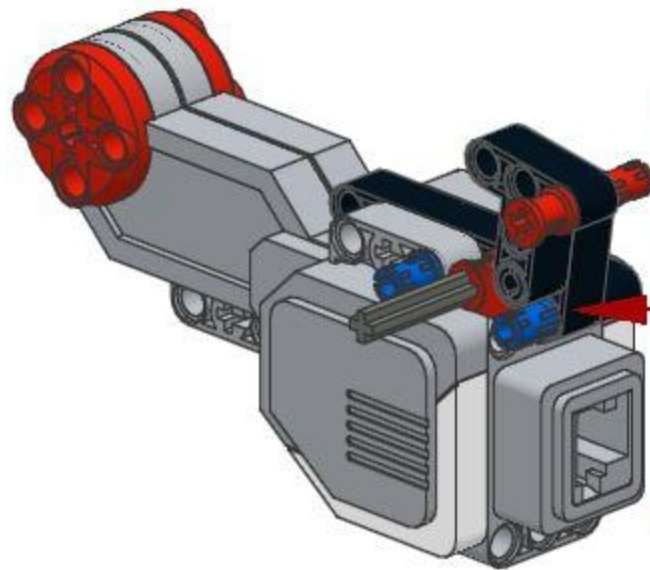




3
1x



4

	3	2x	
1x			
	1x		
1x			1x



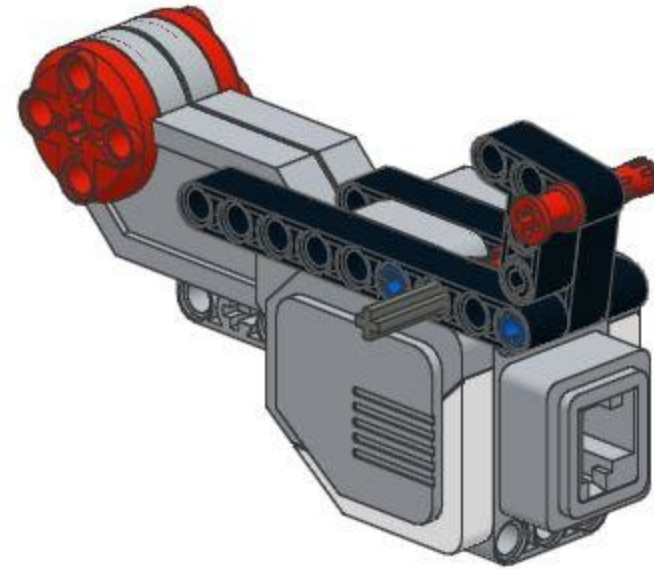
1	
2	

5

9



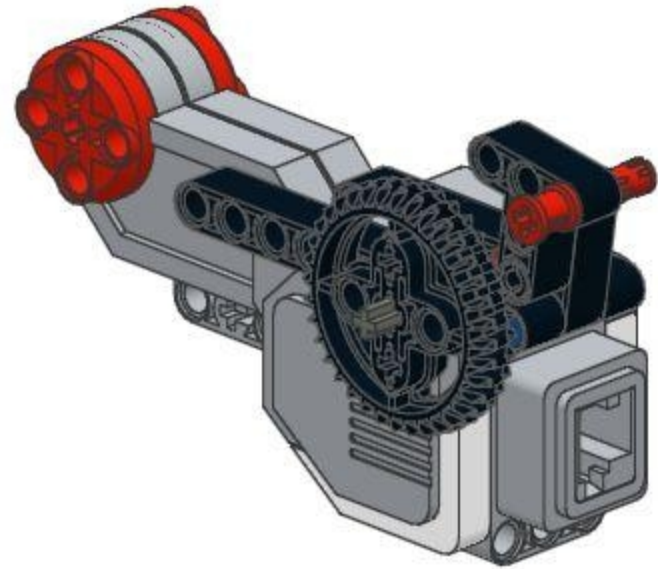
1x



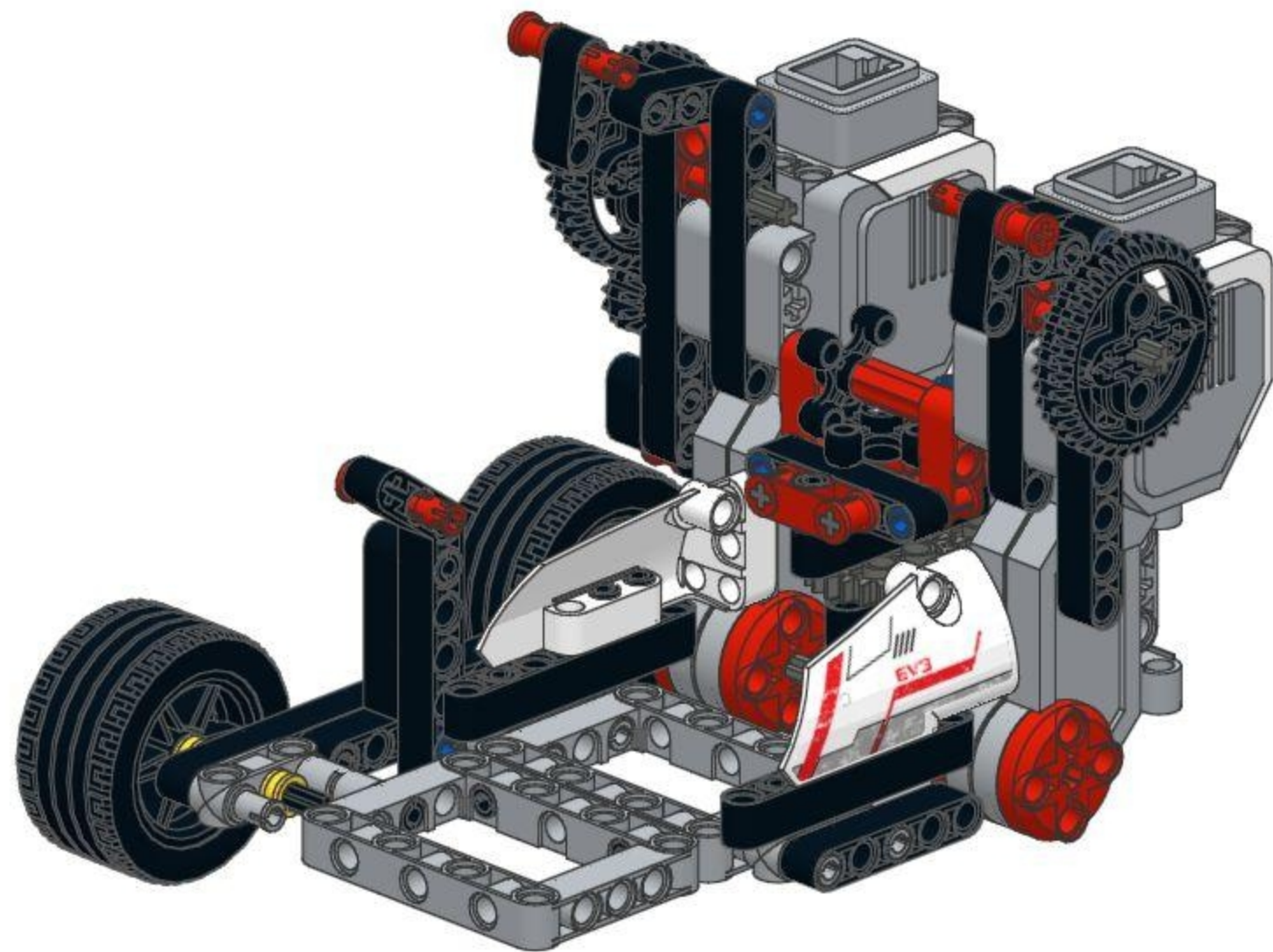
6



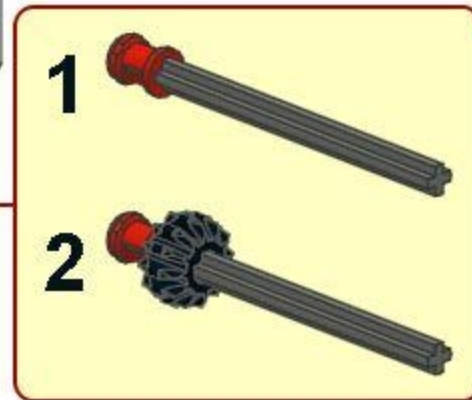
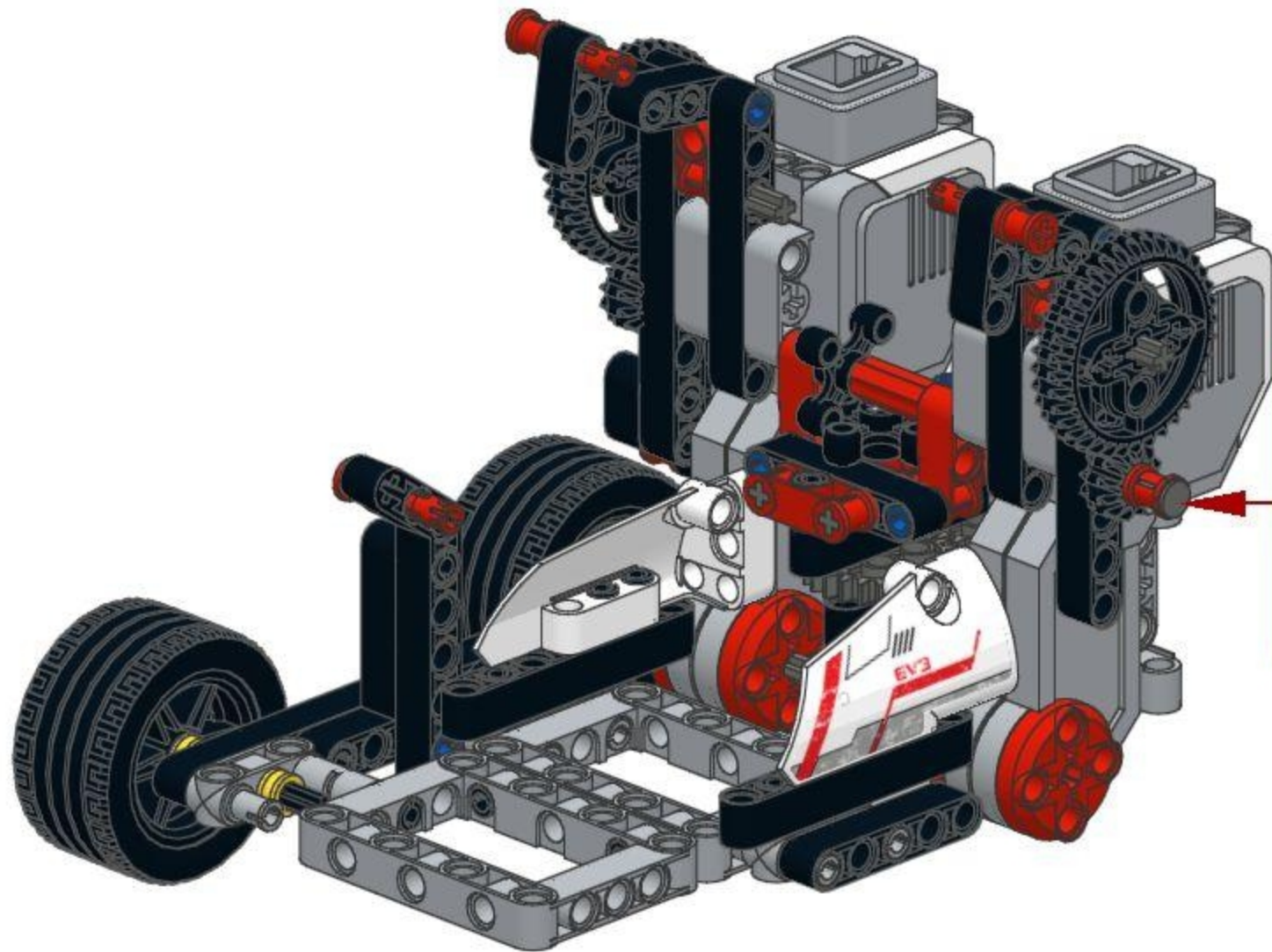
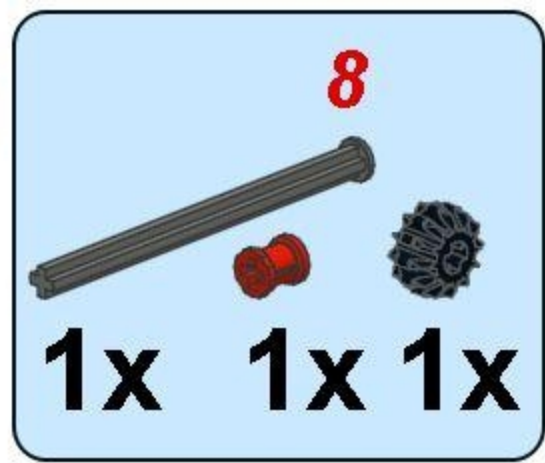
1x



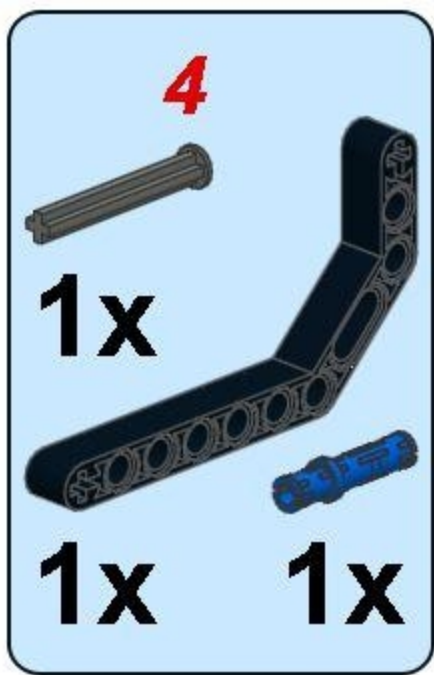
15



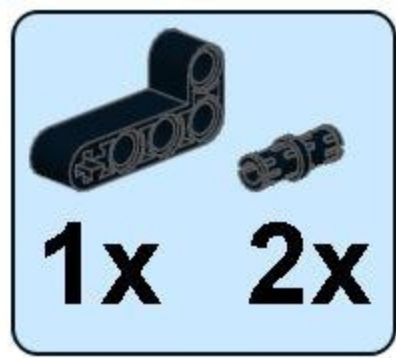
16









1

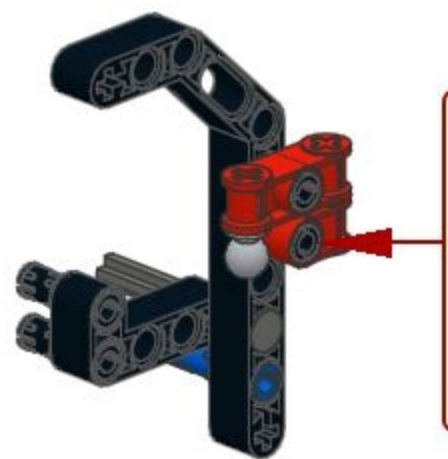




2



3

	
2	1x
	
1x	2x
	
1x	1x

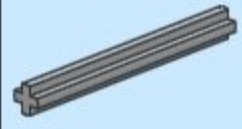


1	
2	

4



2x 5



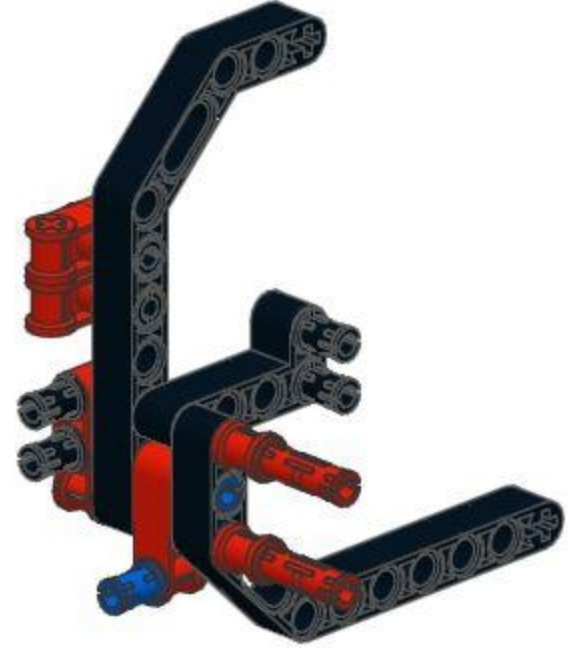
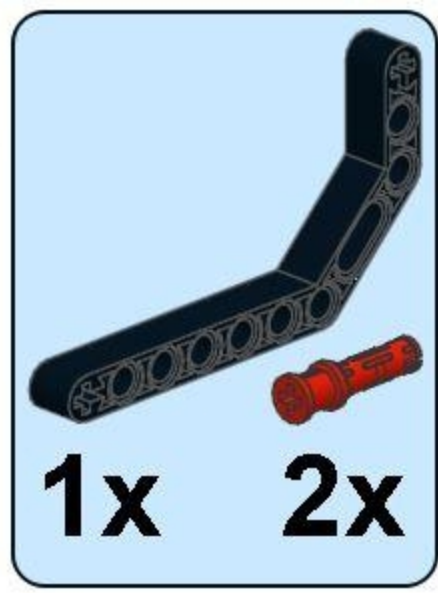
1x



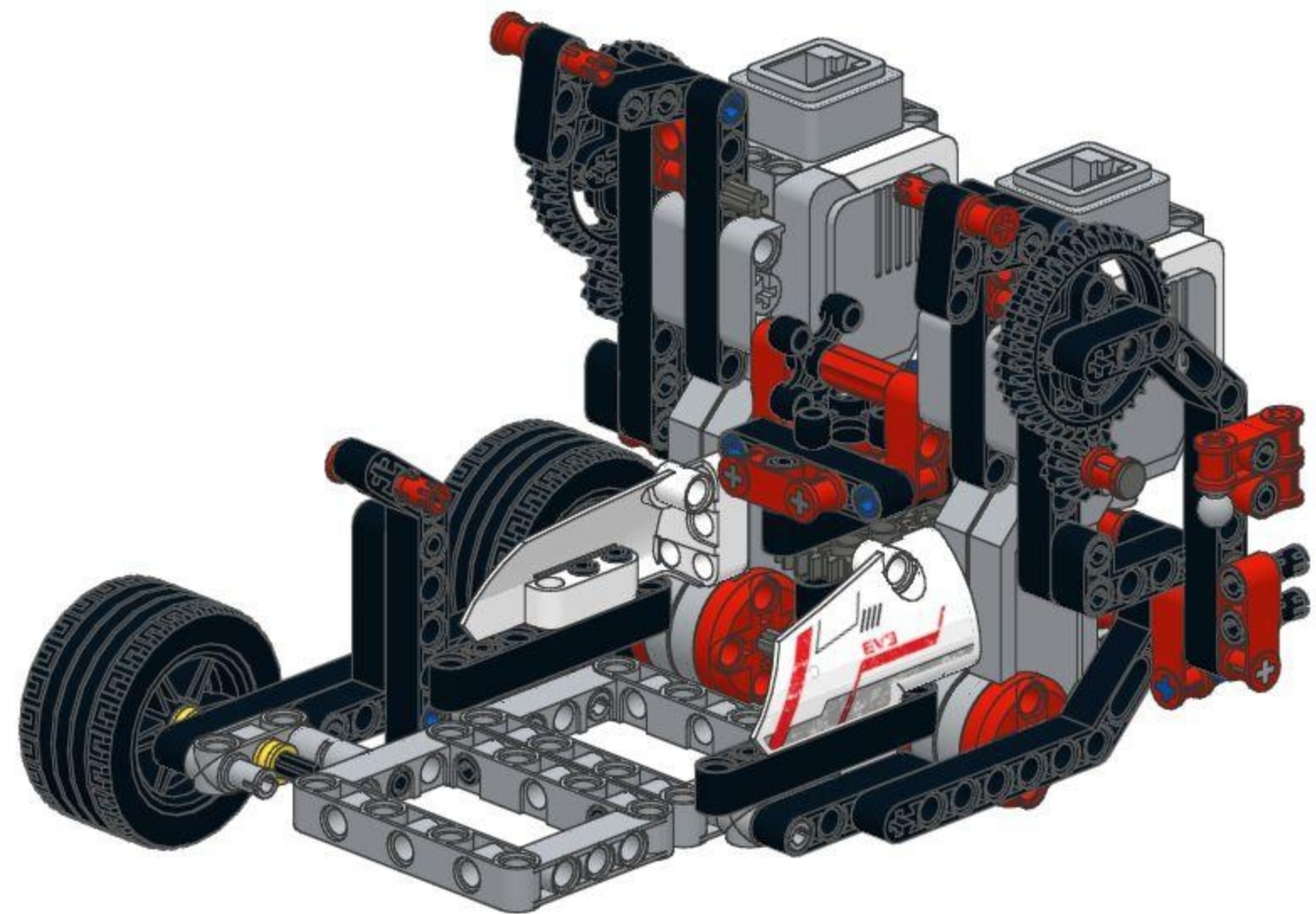
5
2x 1x



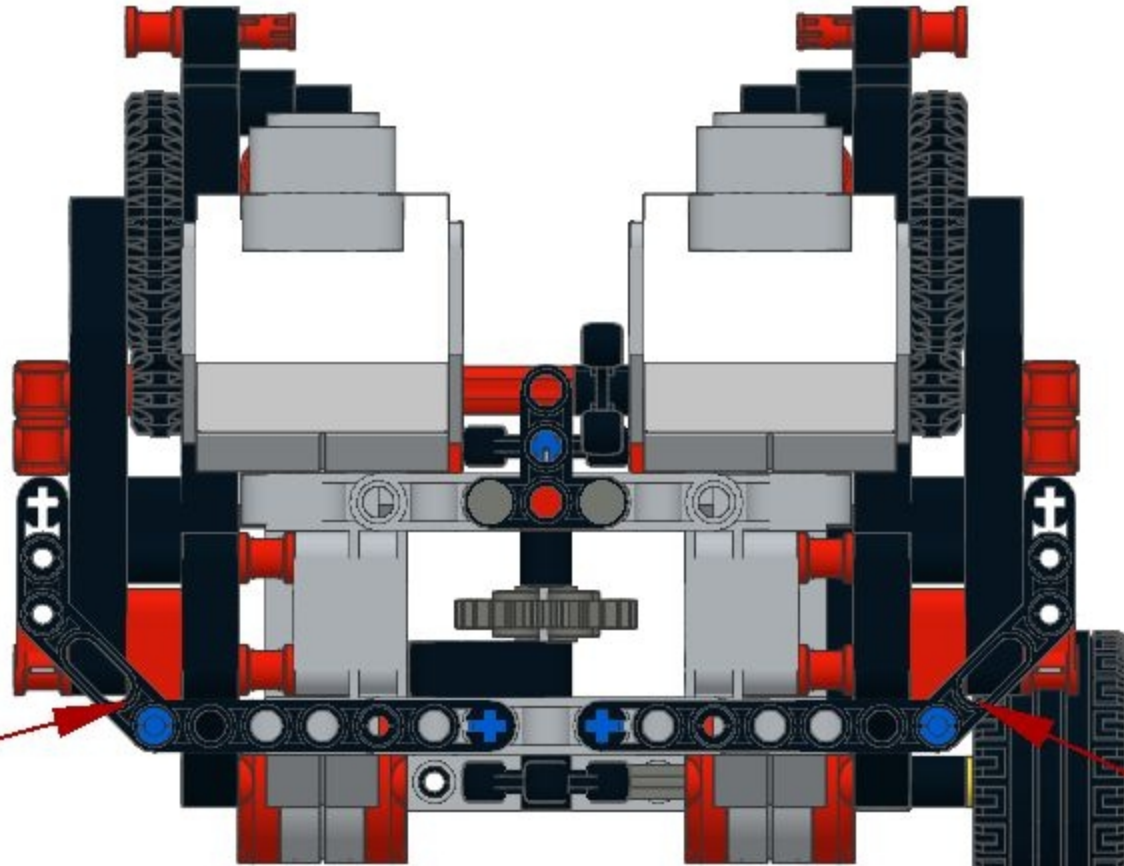
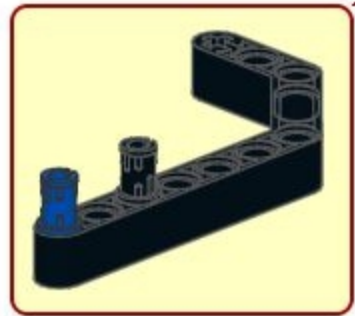
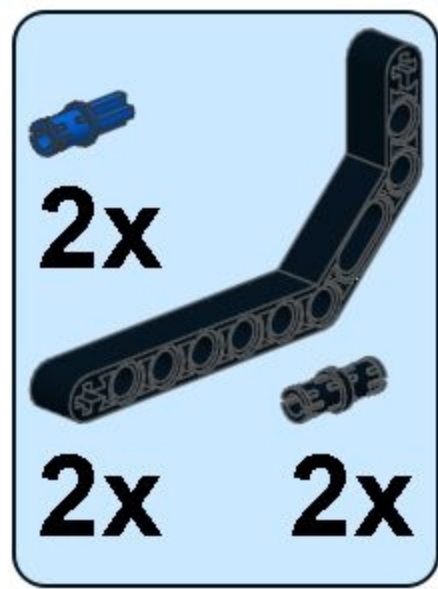
6



17



18

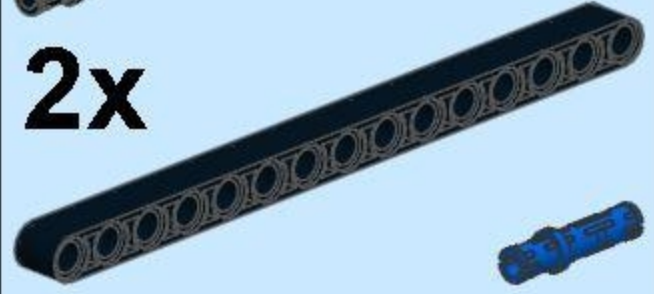


1



15

2x



1x

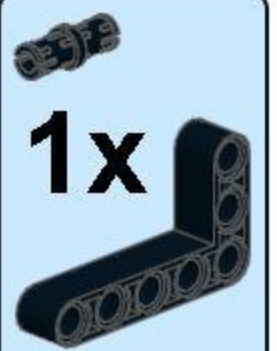


3x

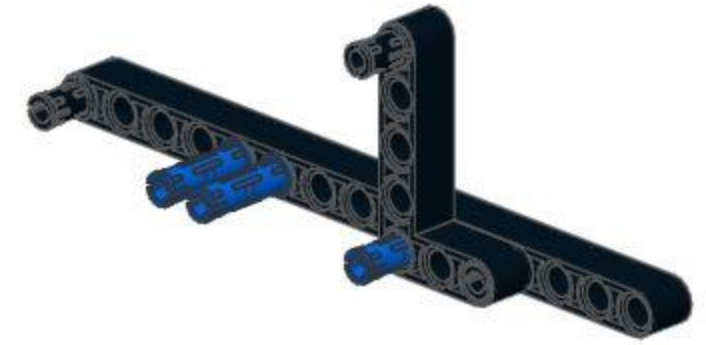


2

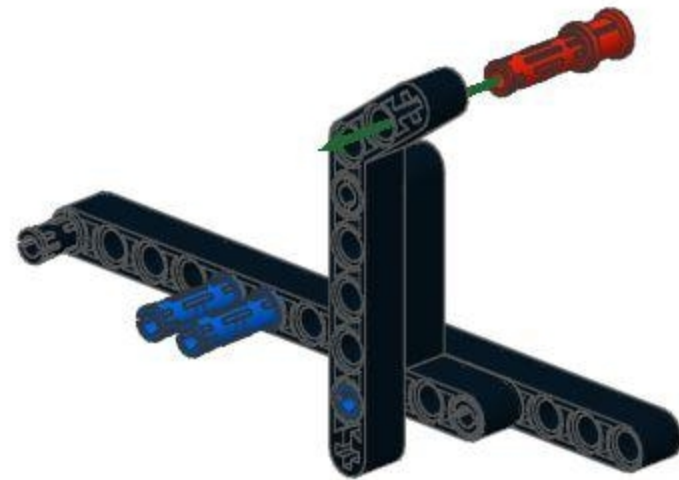
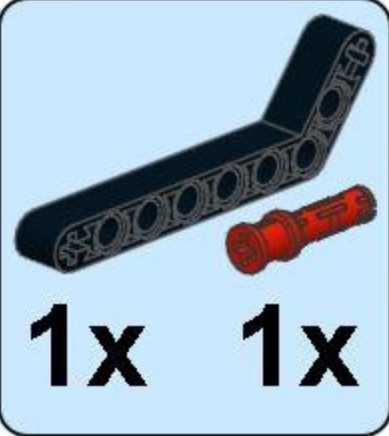
1x



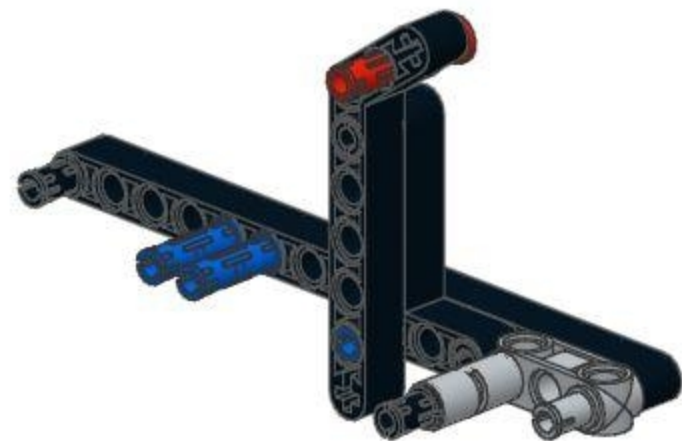
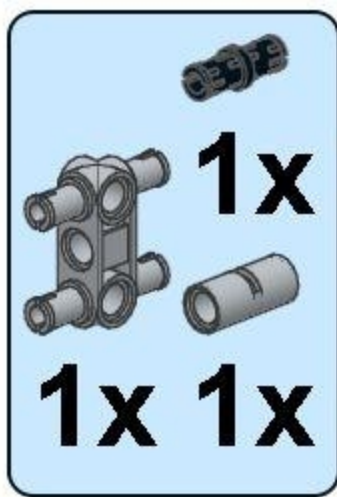
1x



3



4



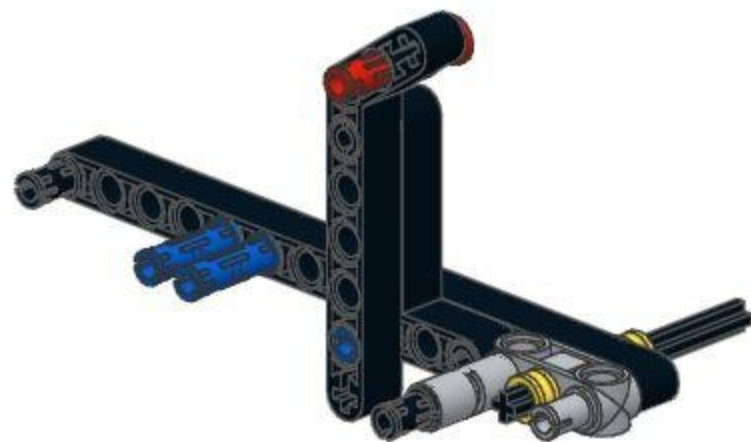
5



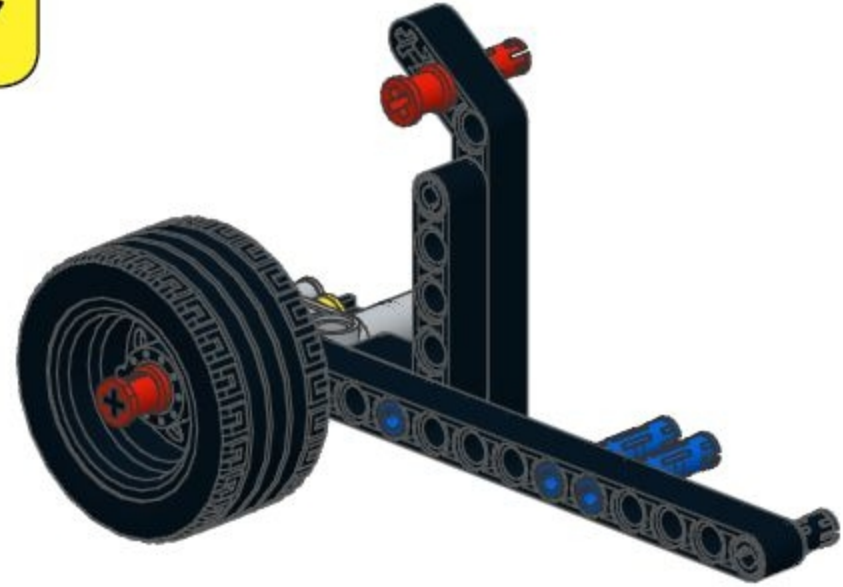
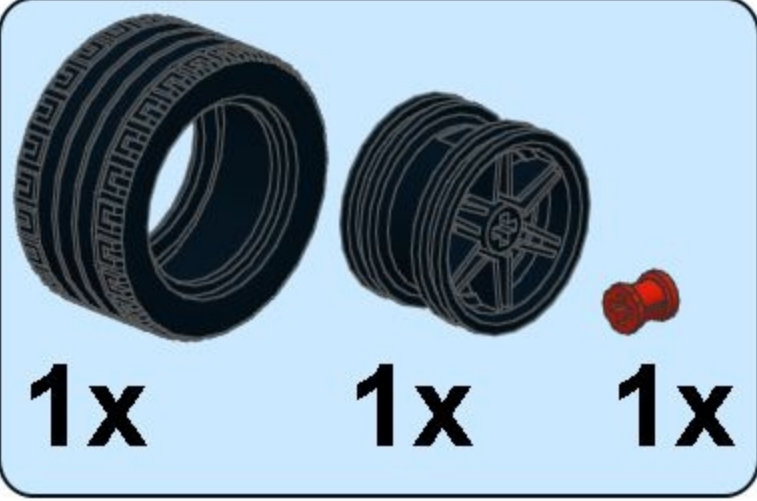
2x **6**



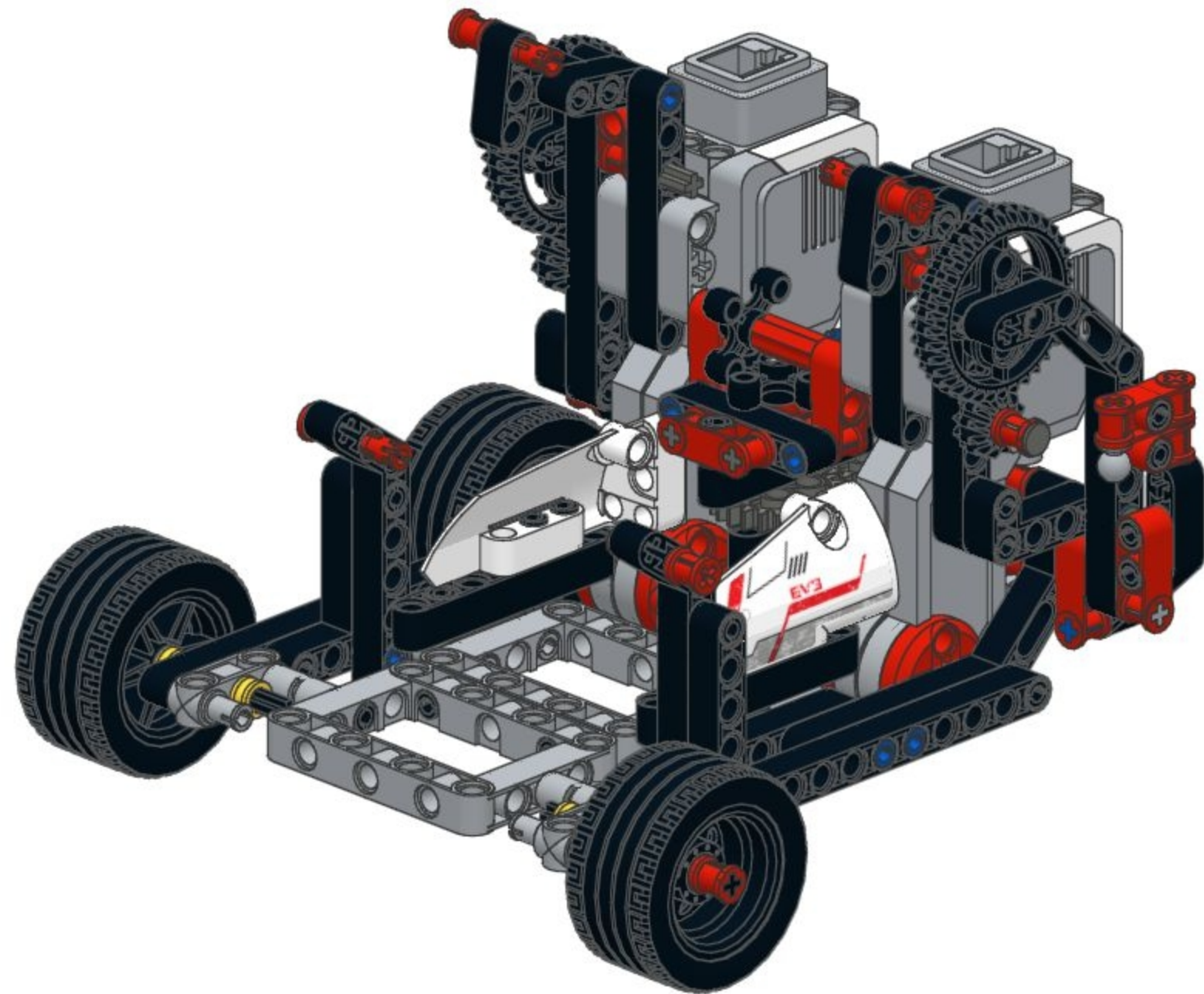
1x



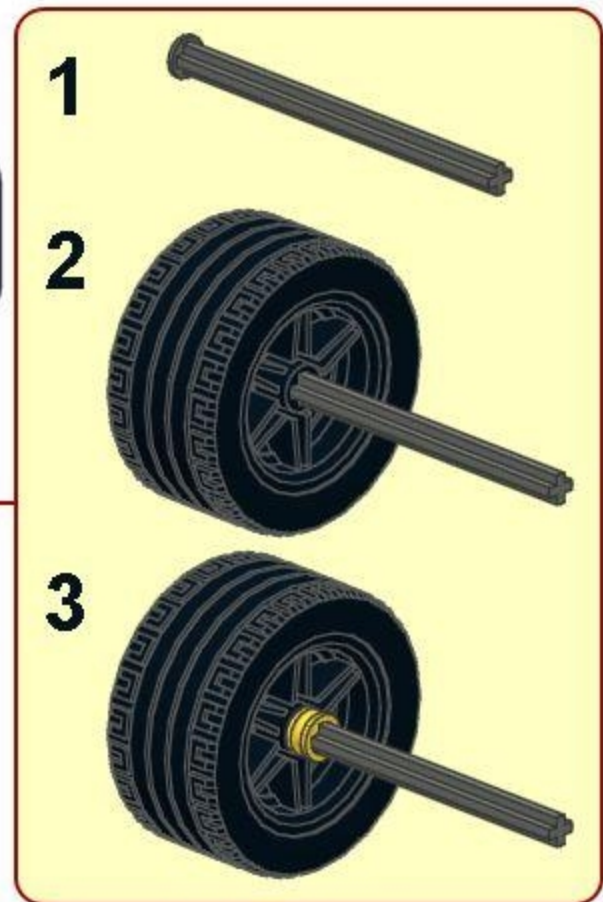
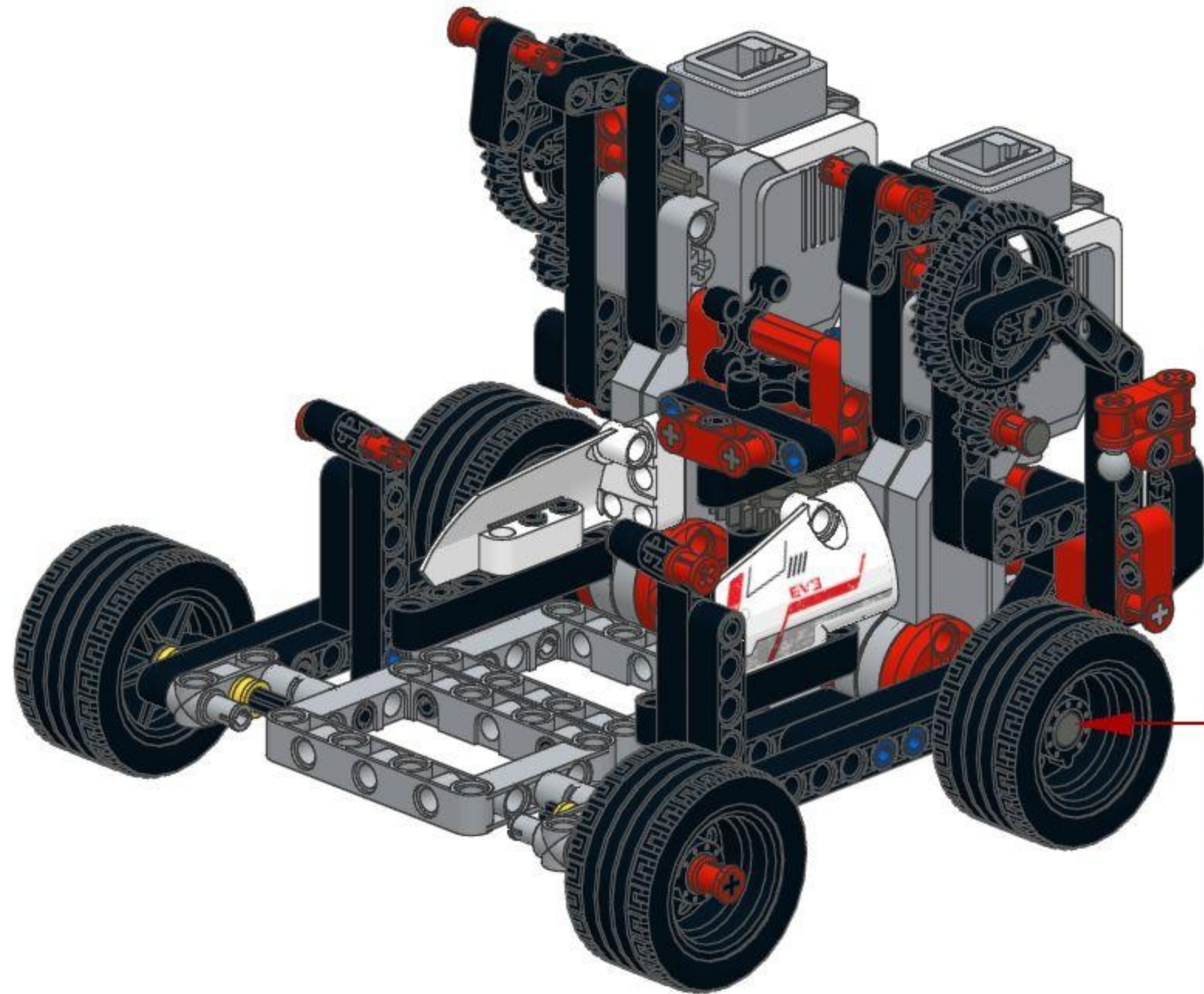
6



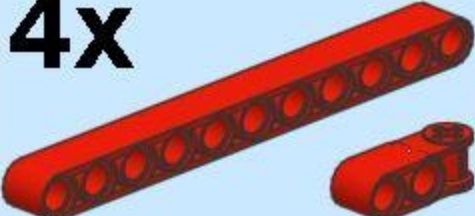
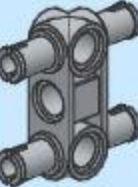





19

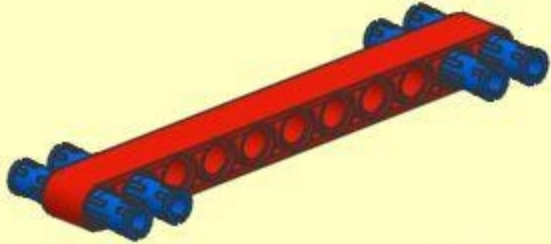


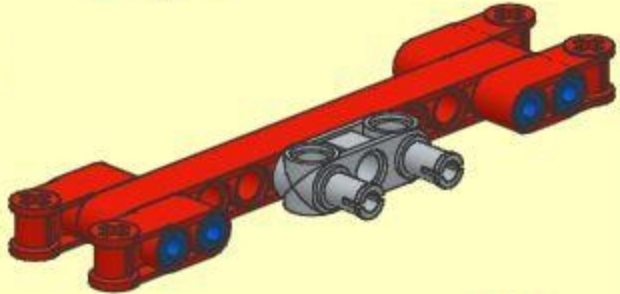
20

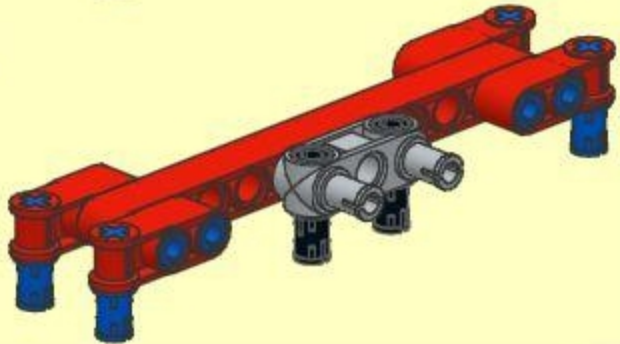


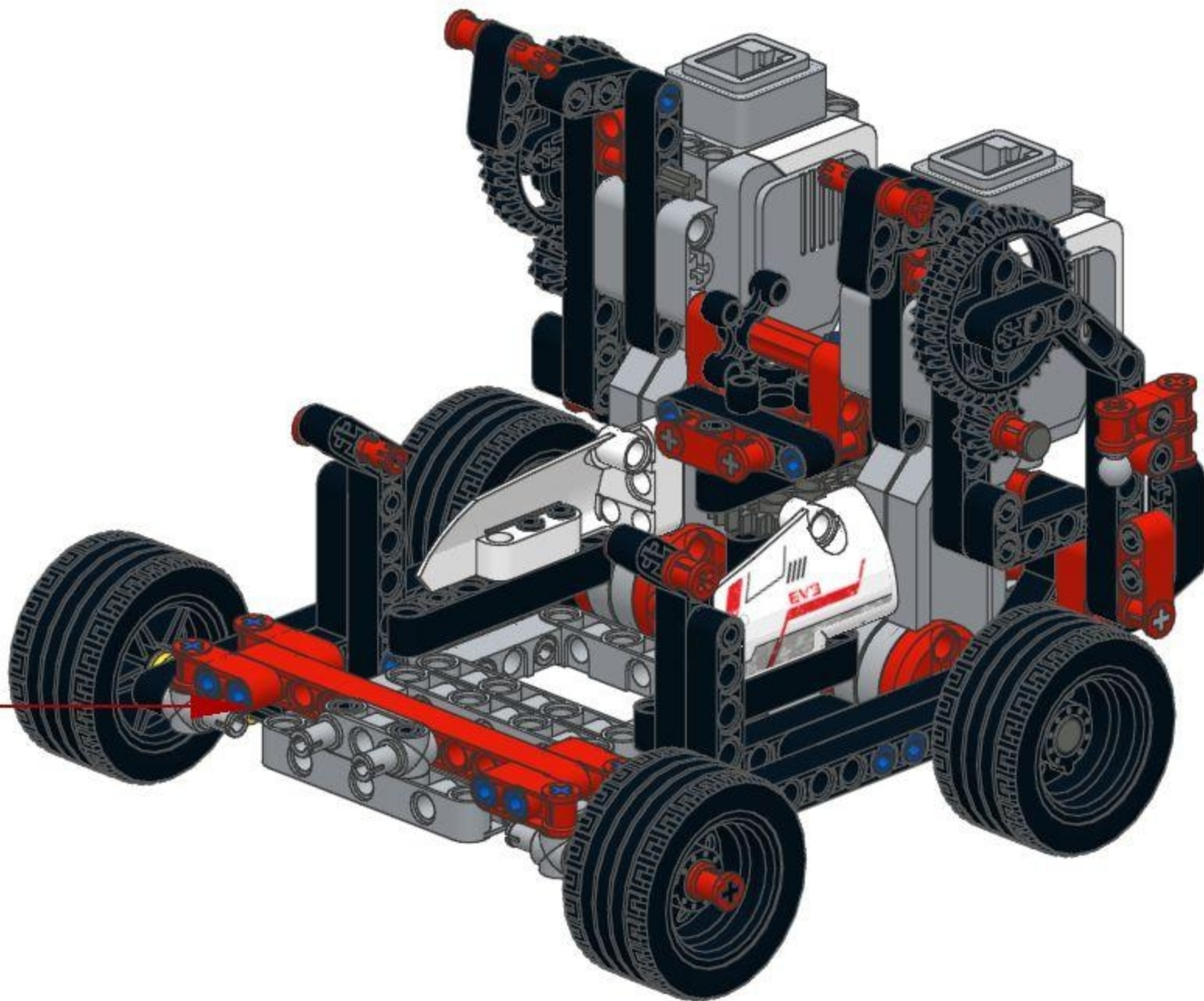
21

4x  2x  
1x  4x  1x  4x 

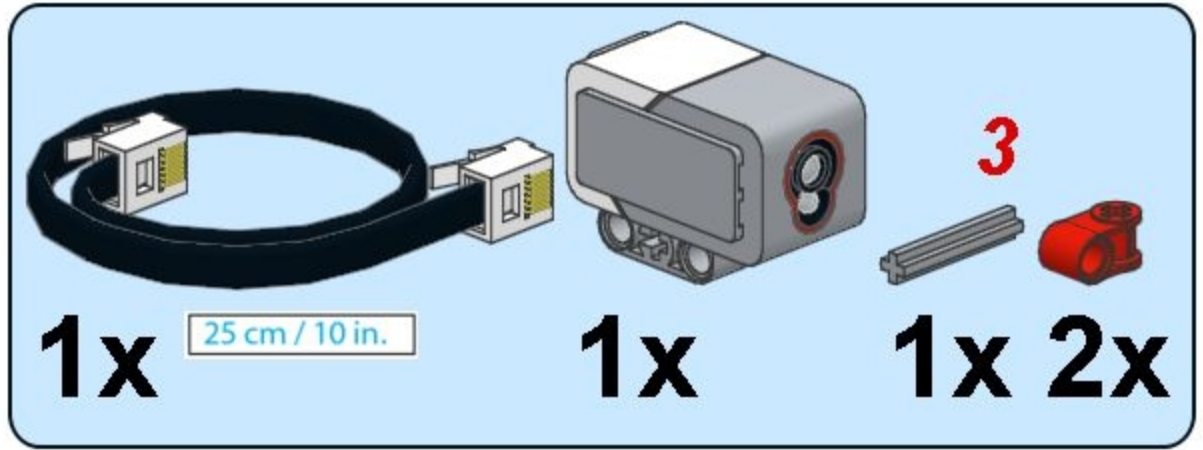
1 

2 

3 

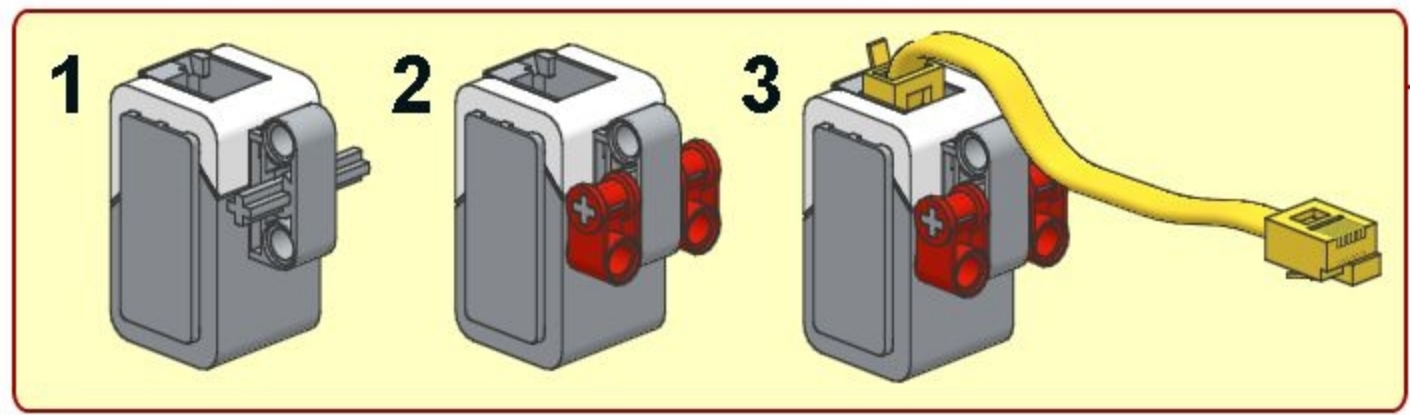


22



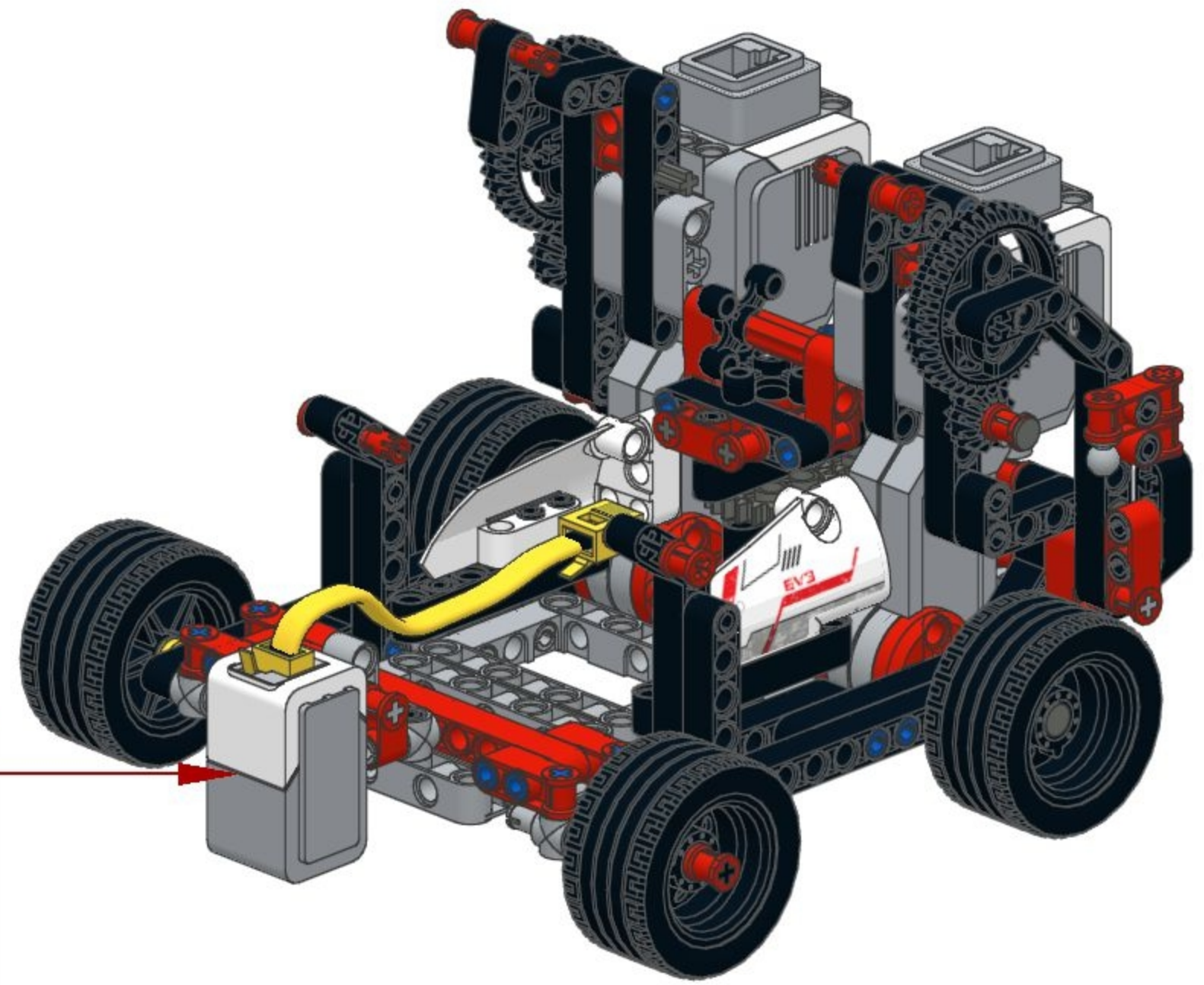
1x 25 cm / 10 in. 1x 3 1x 2x

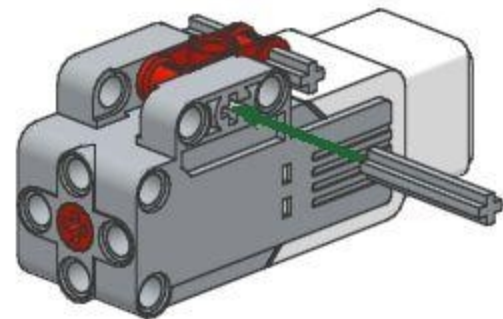
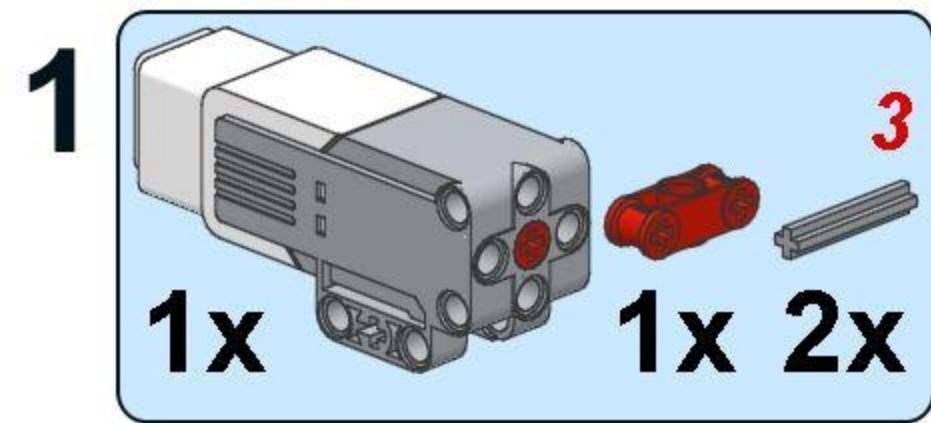
This block lists the required parts for step 22: one 25 cm (10 in.) black cable, one grey EV3 brick, one grey axle, and two red pins.



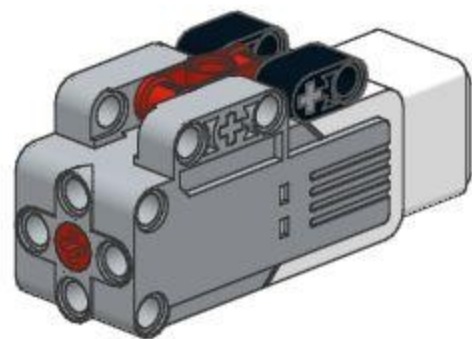
1 2 3

This block shows the assembly sequence in three steps: 1. Insert the grey axle into the EV3 brick. 2. Push the two red pins onto the axle. 3. Plug the yellow cable into the top port of the EV3 brick.



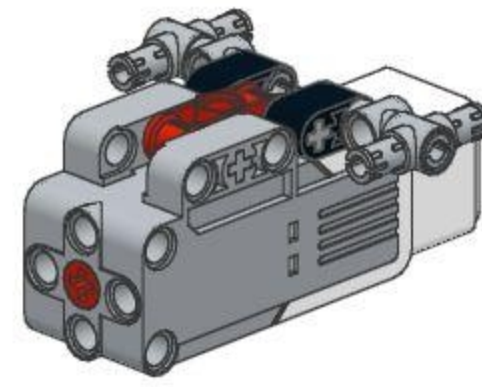


2
2x

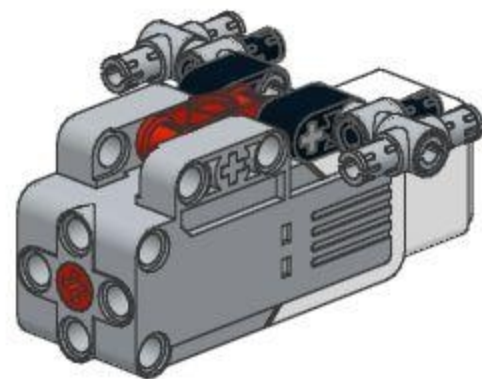


3

4x



4
2x



5



13

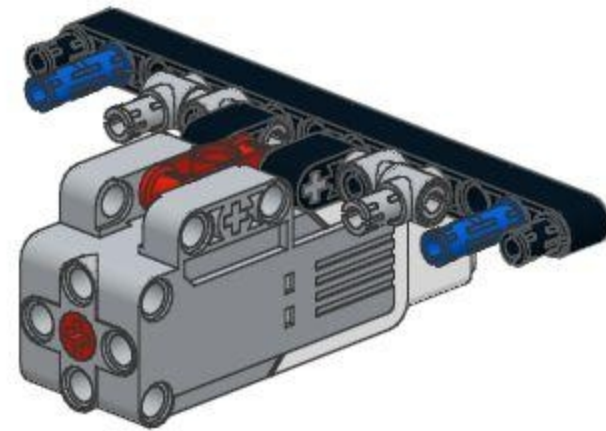
2x



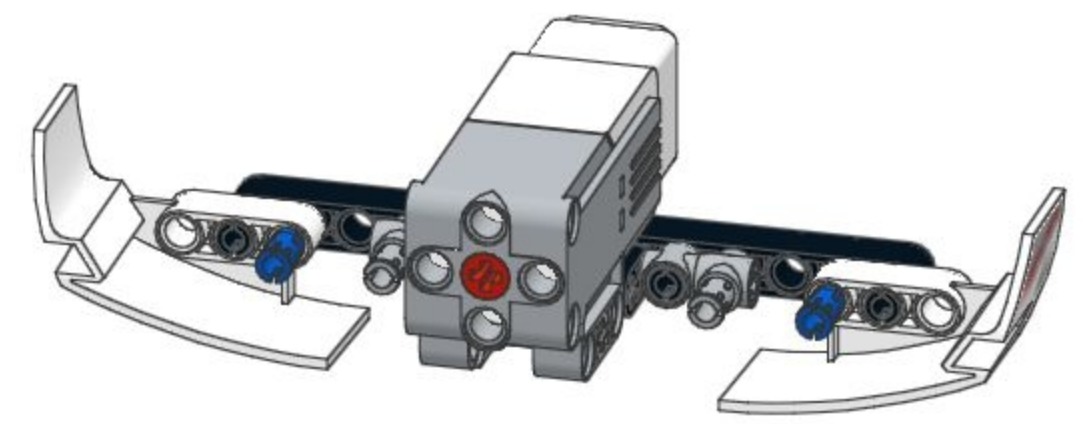
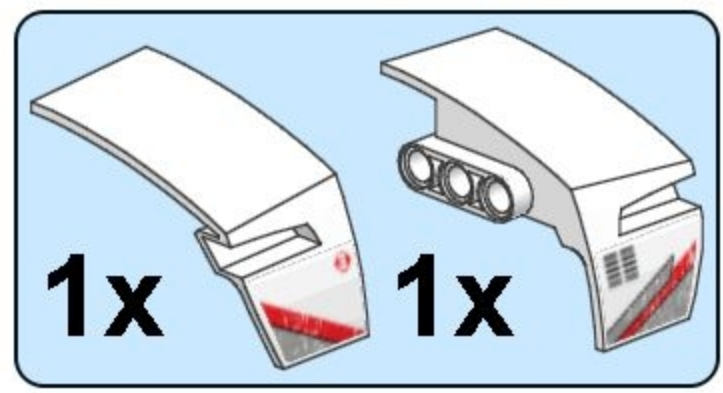
1x



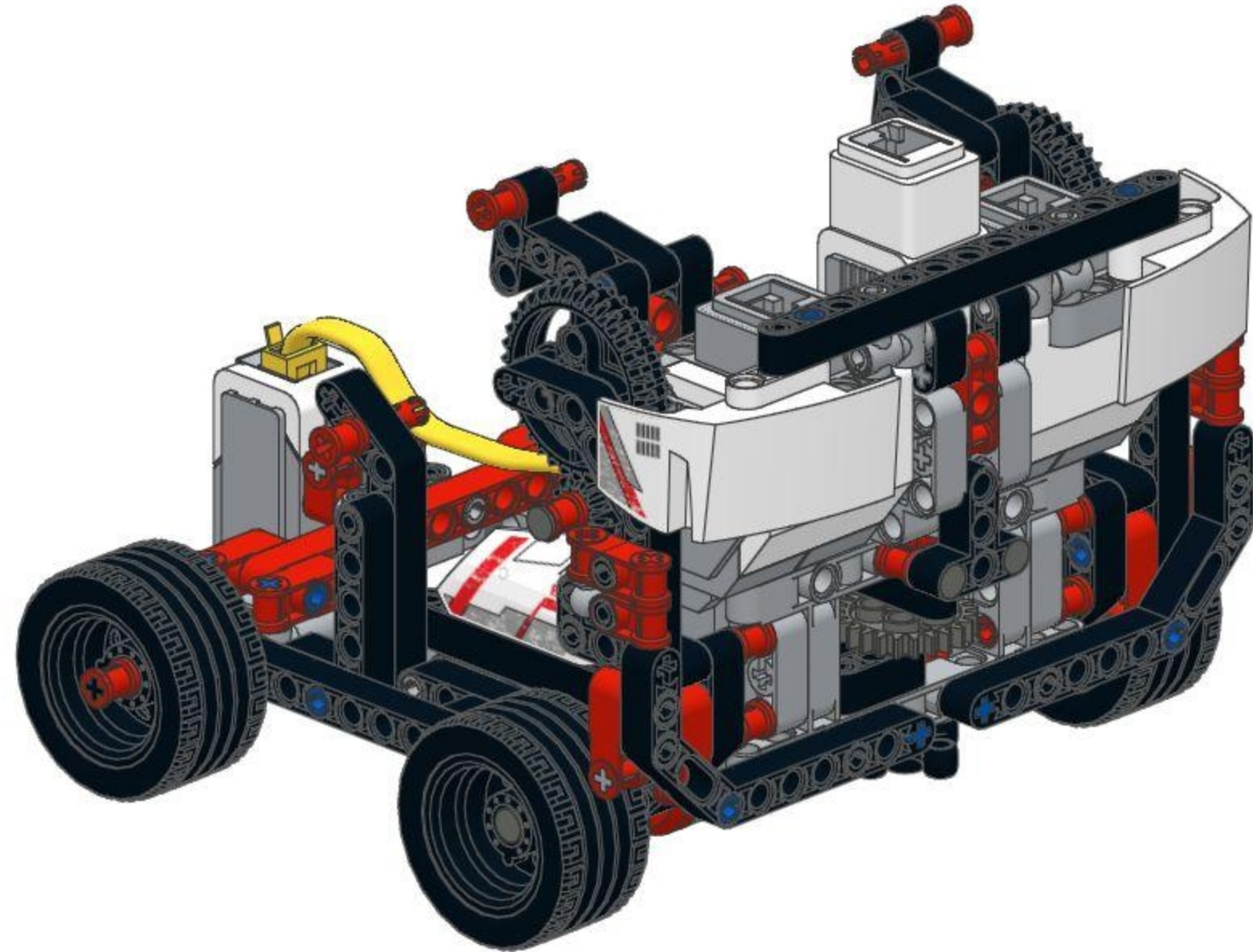
2x



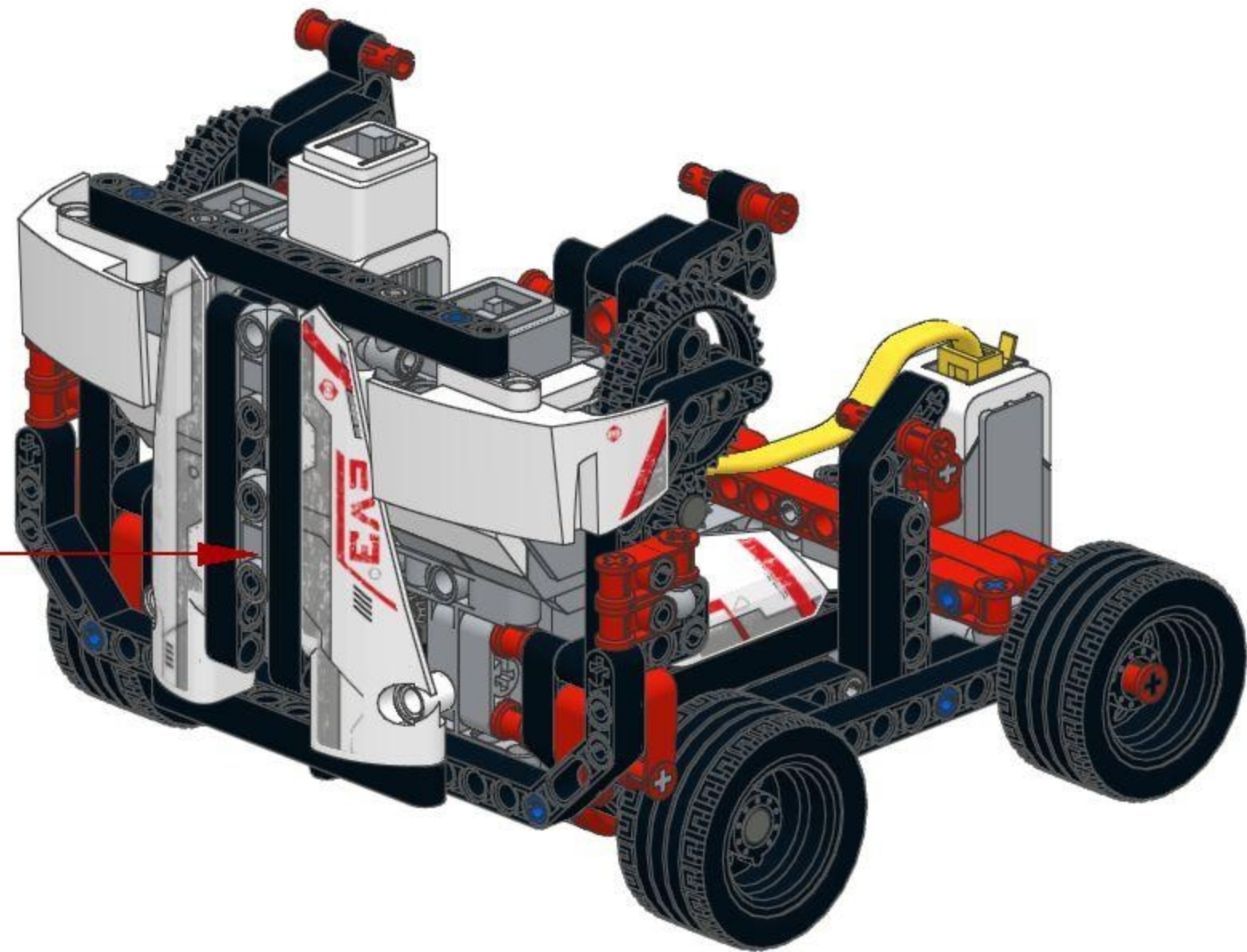
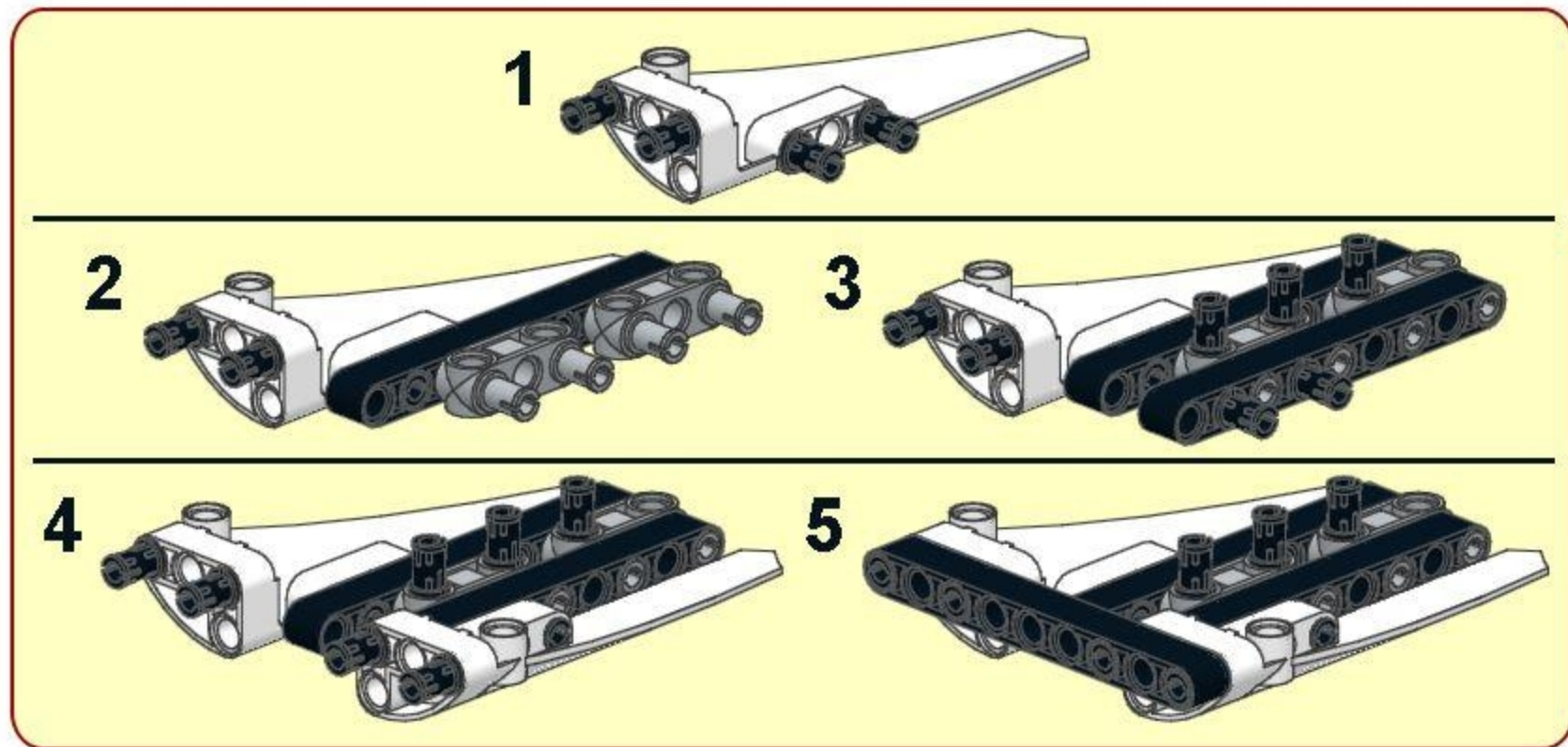
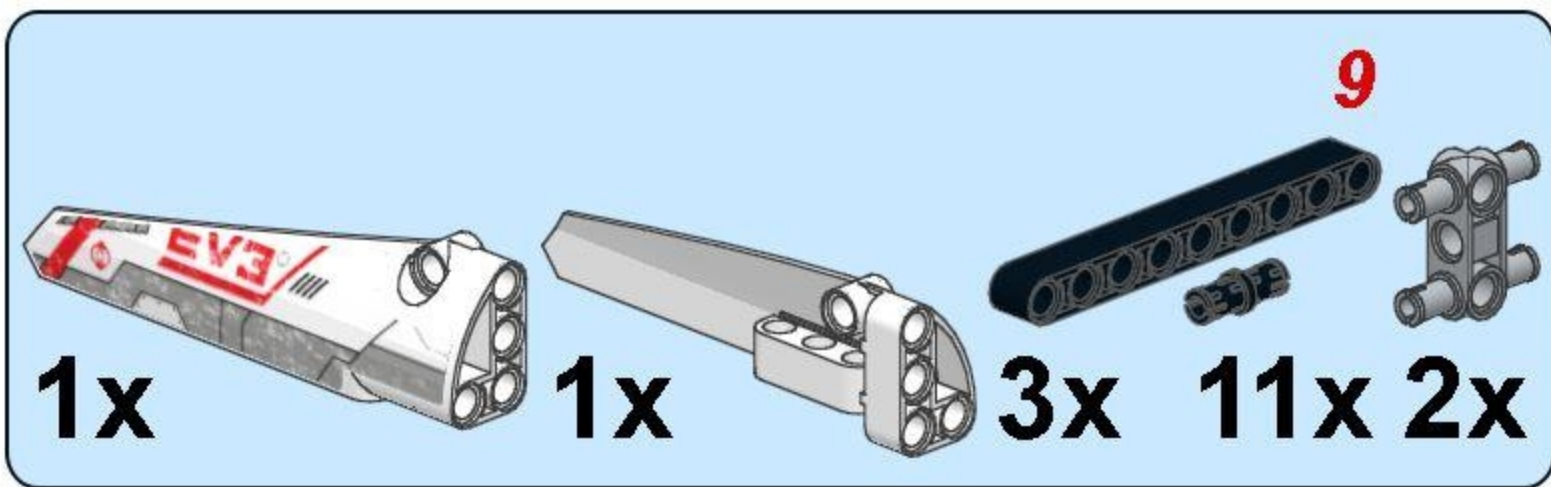
6



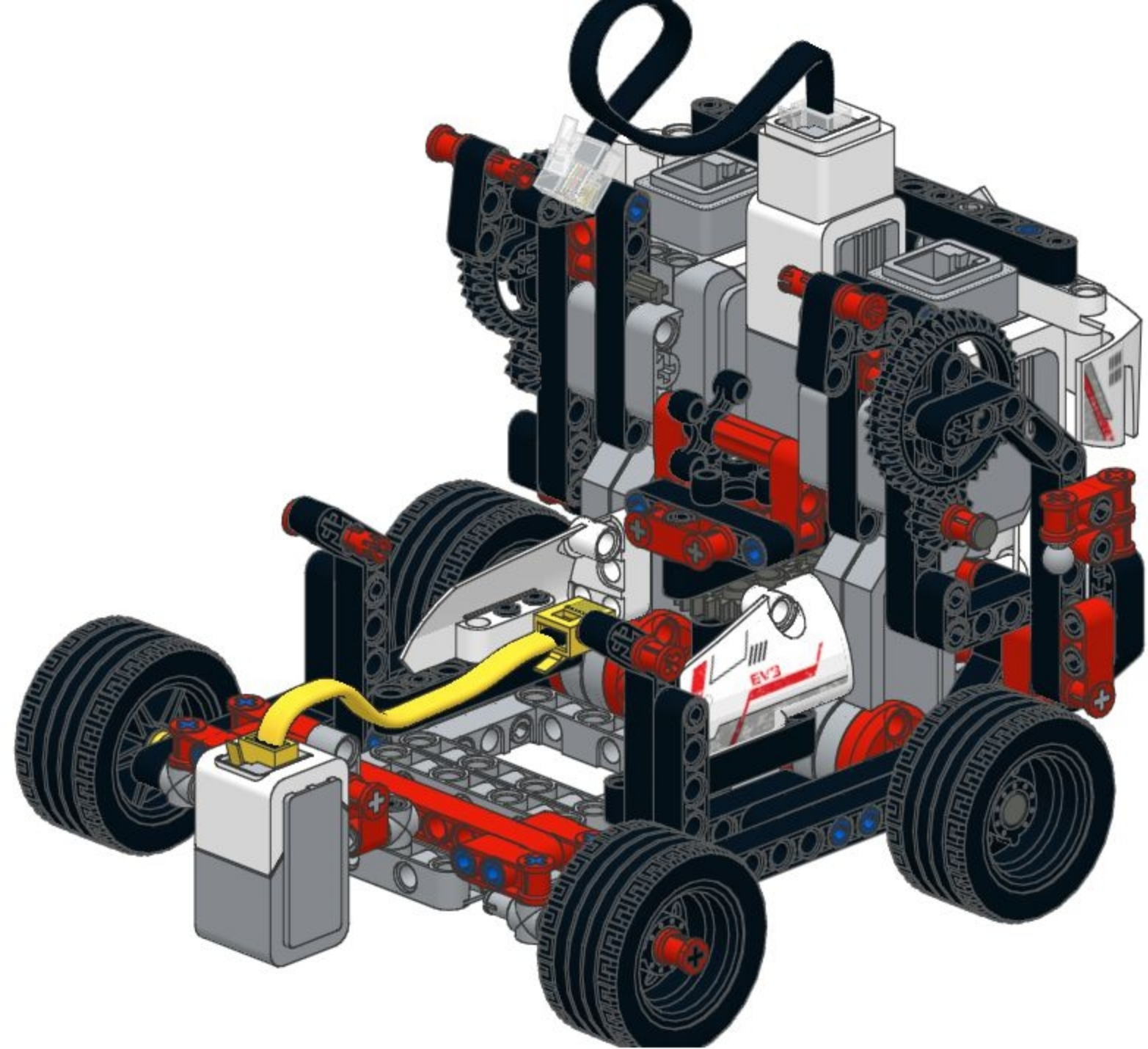
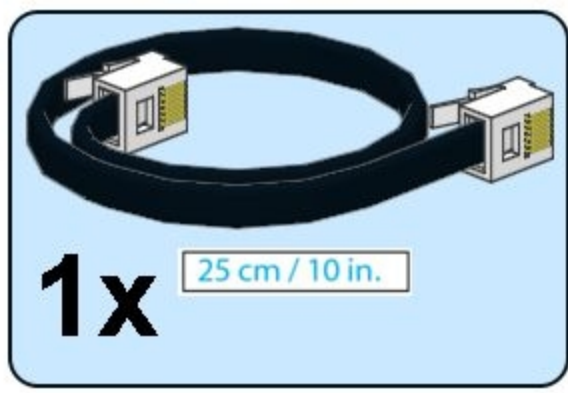
23



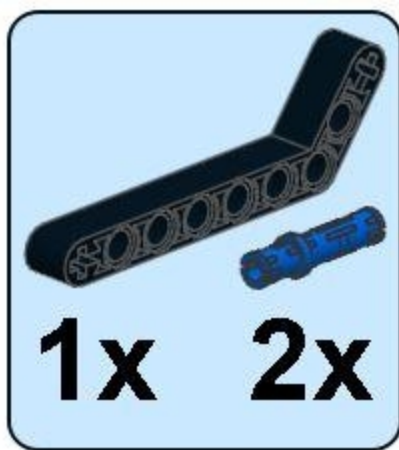
24



25



1



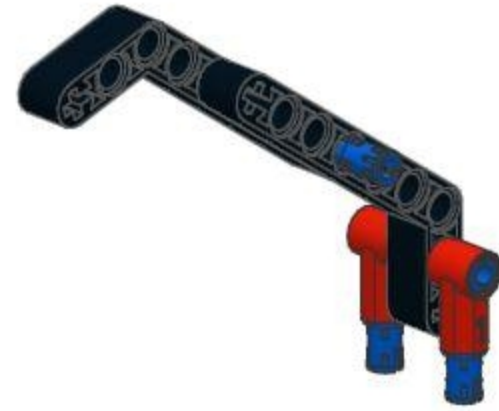
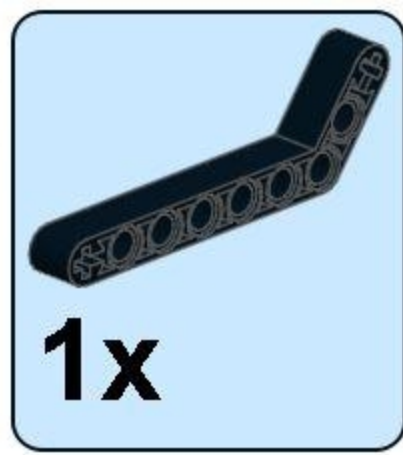
2



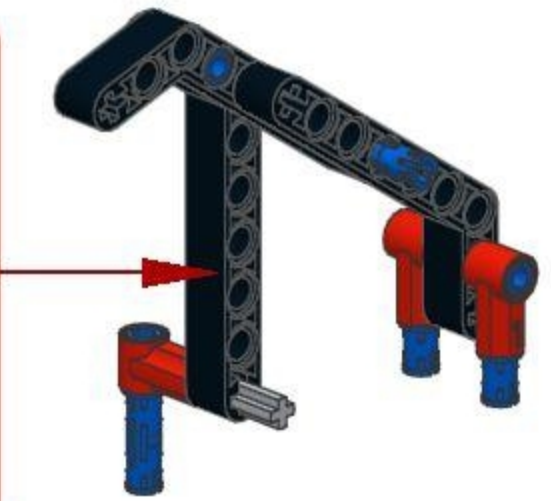
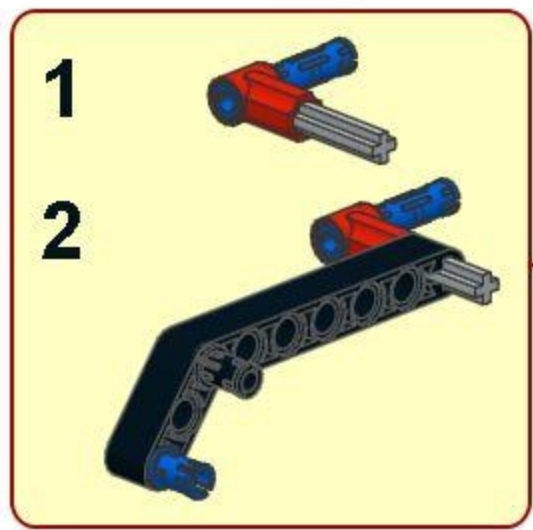
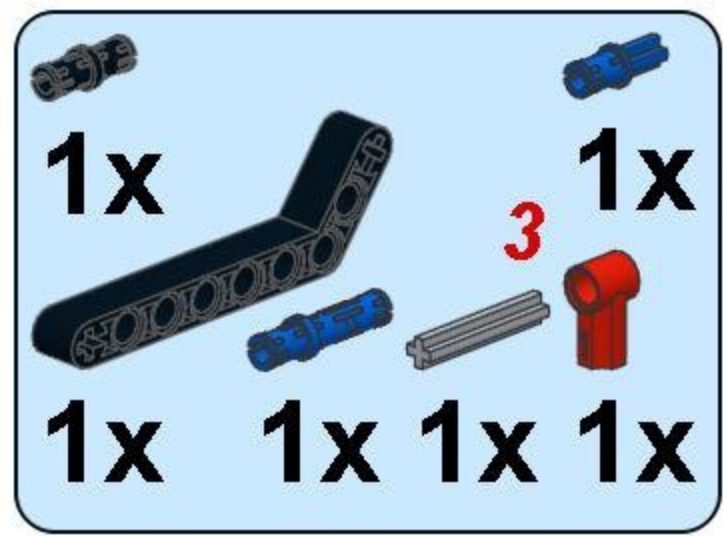
2x 2x



3



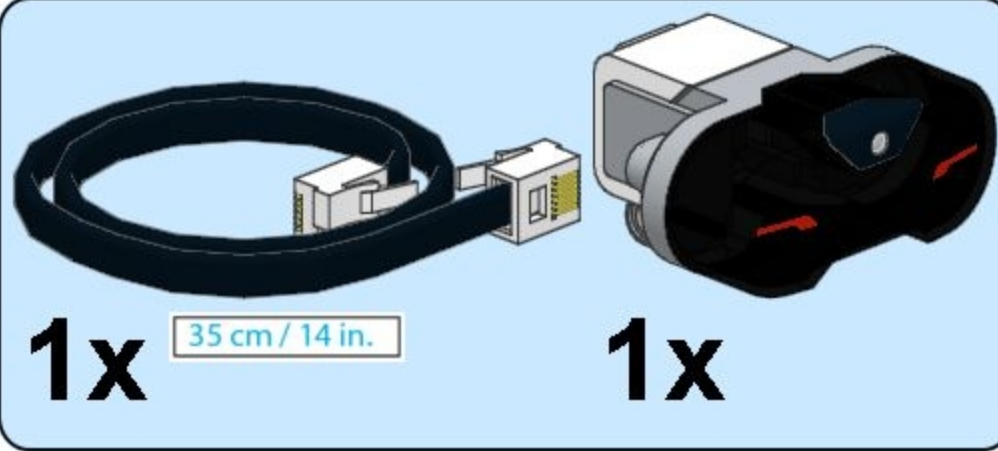
4



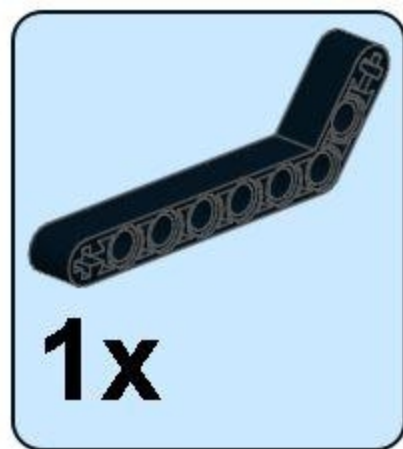
5



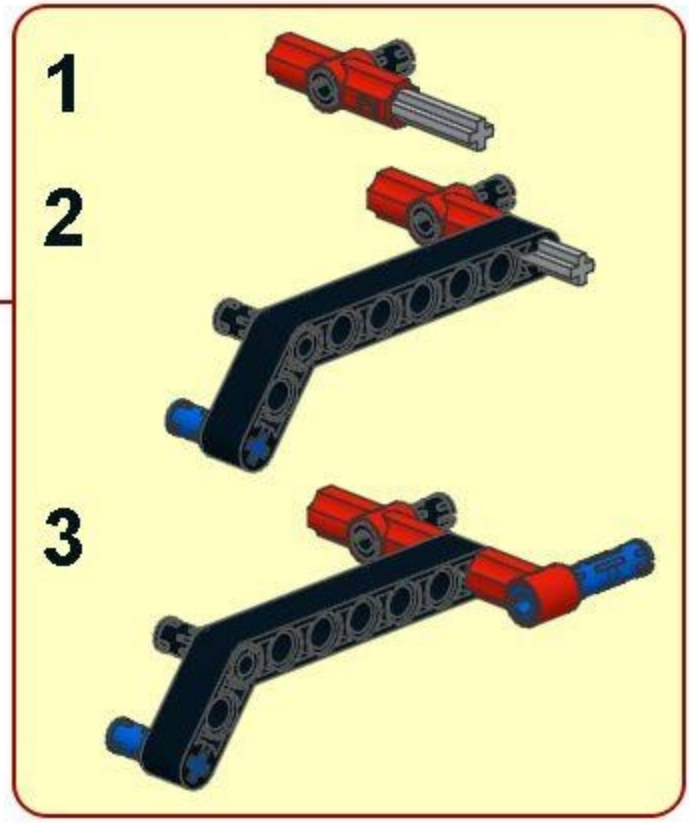
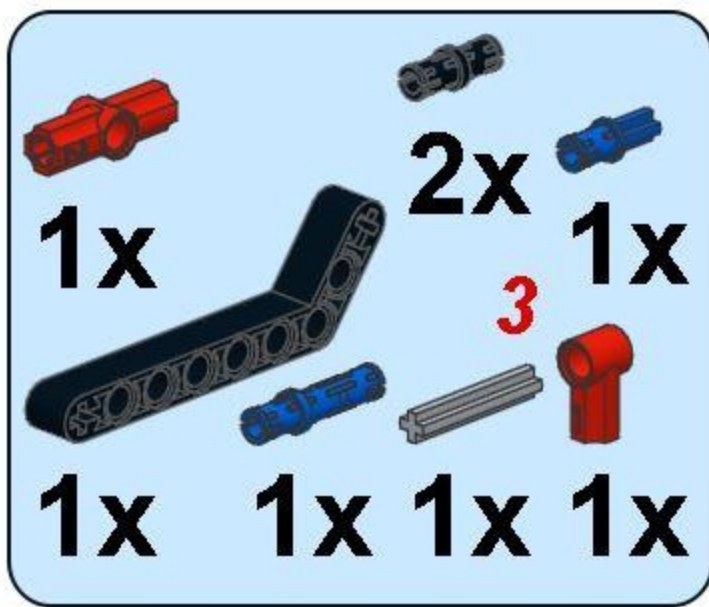
6



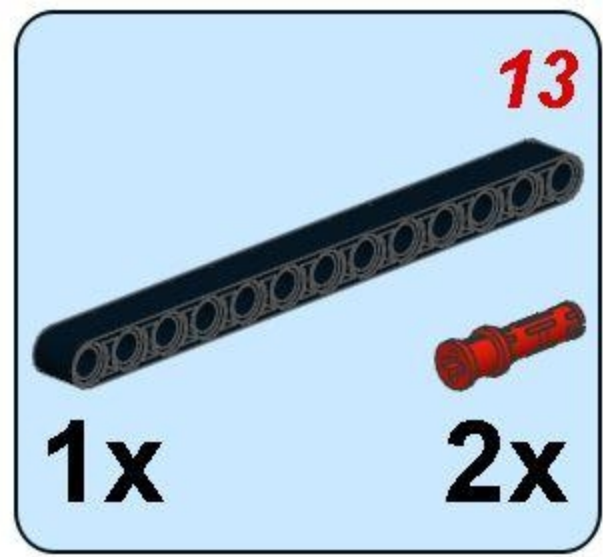
7



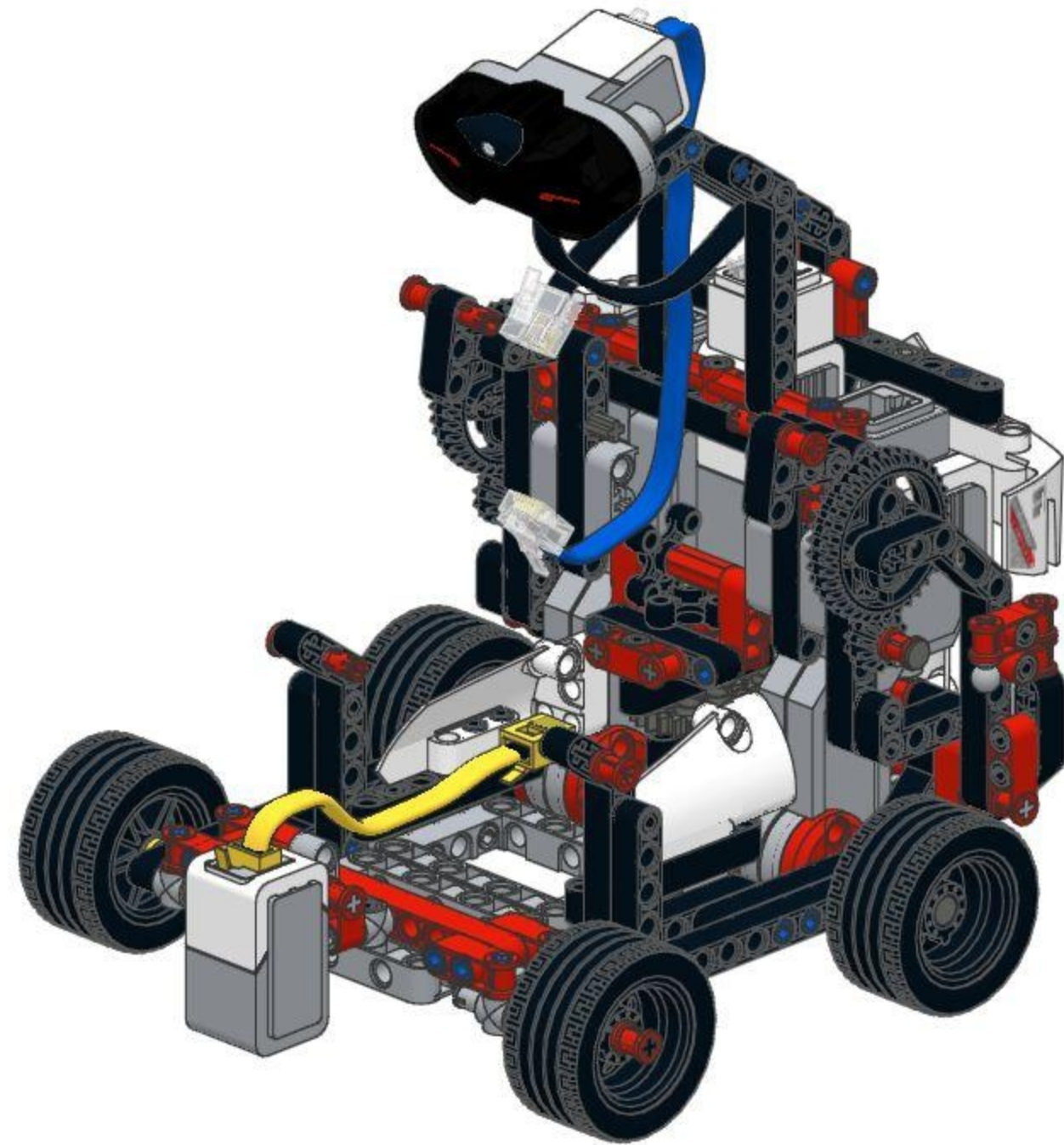
8

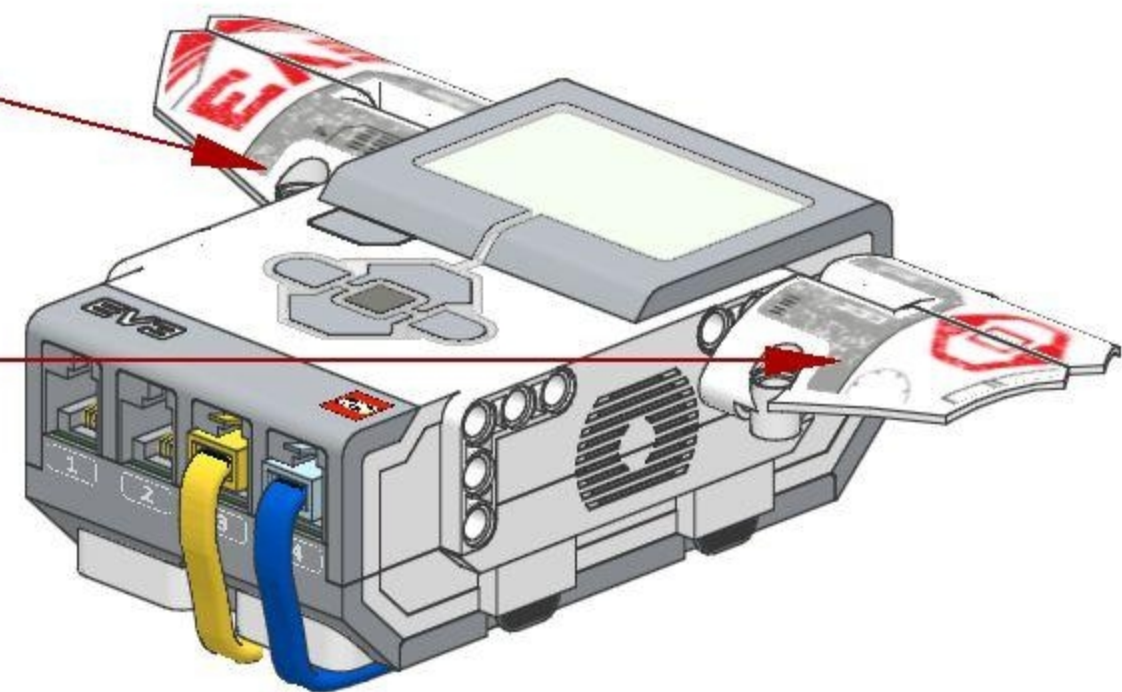
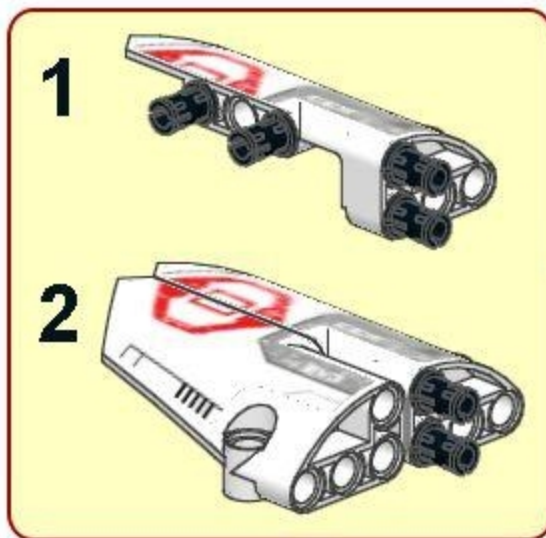
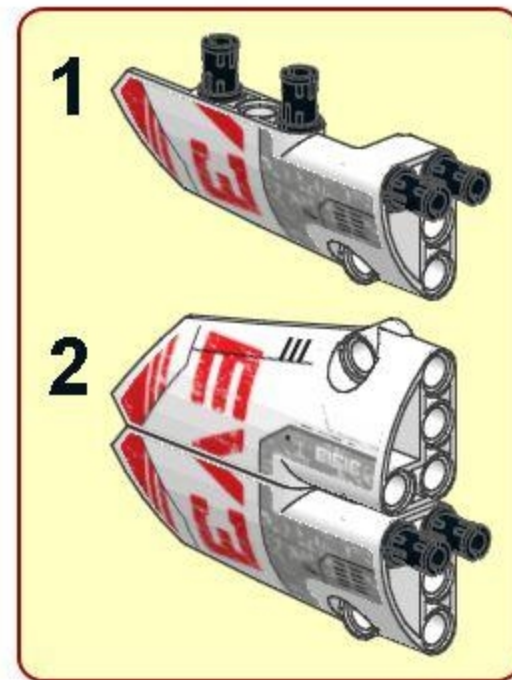
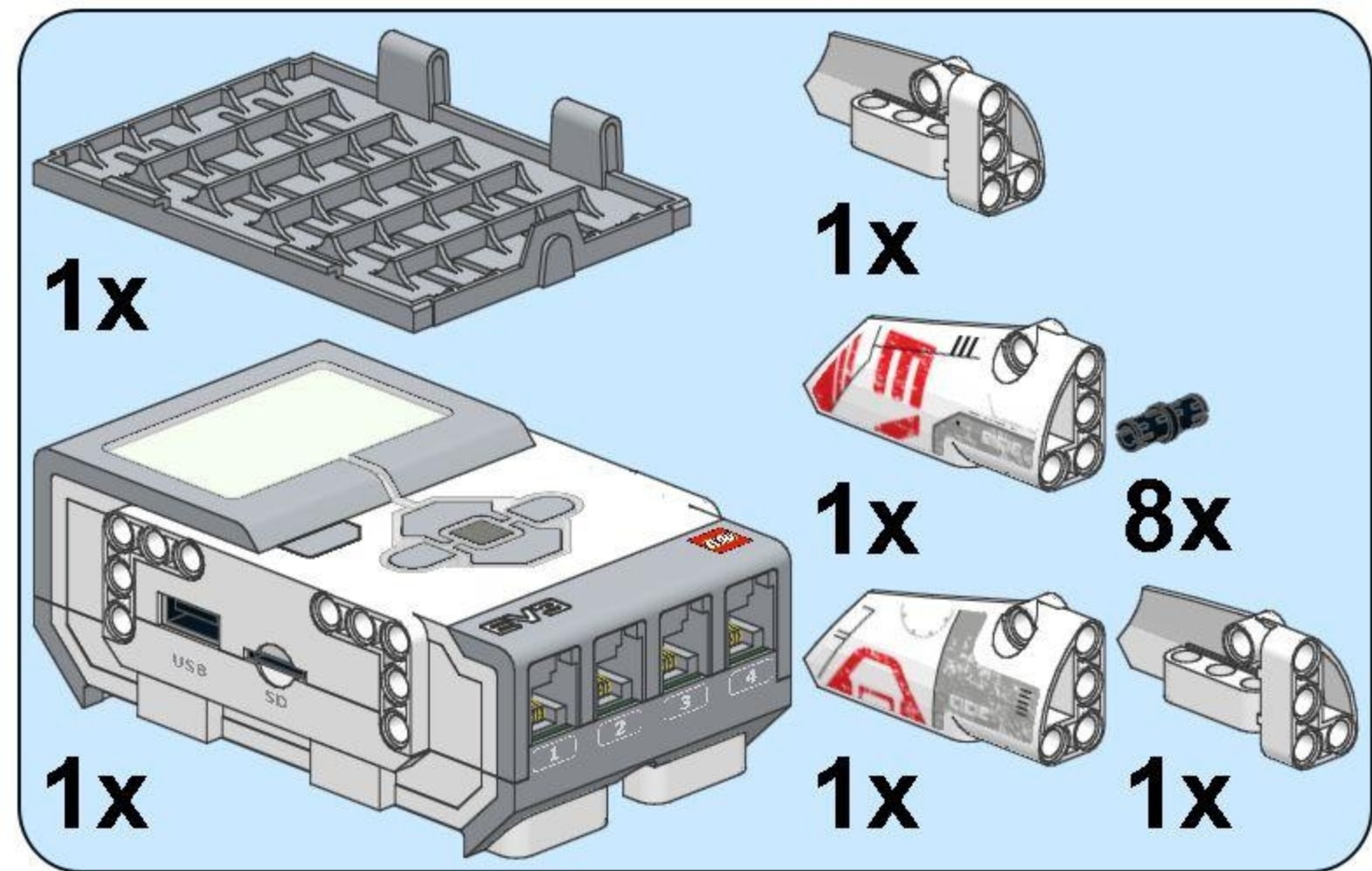


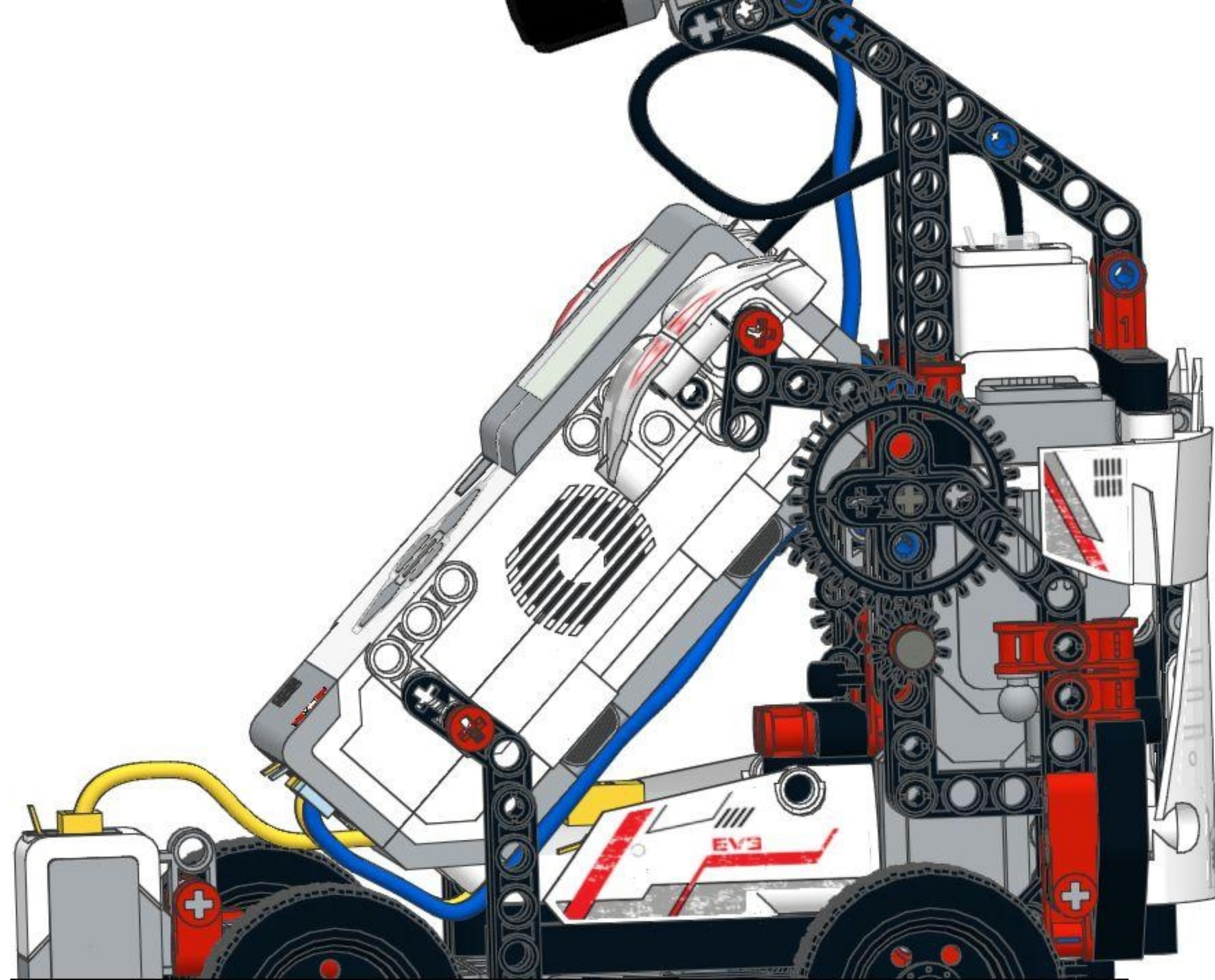
9



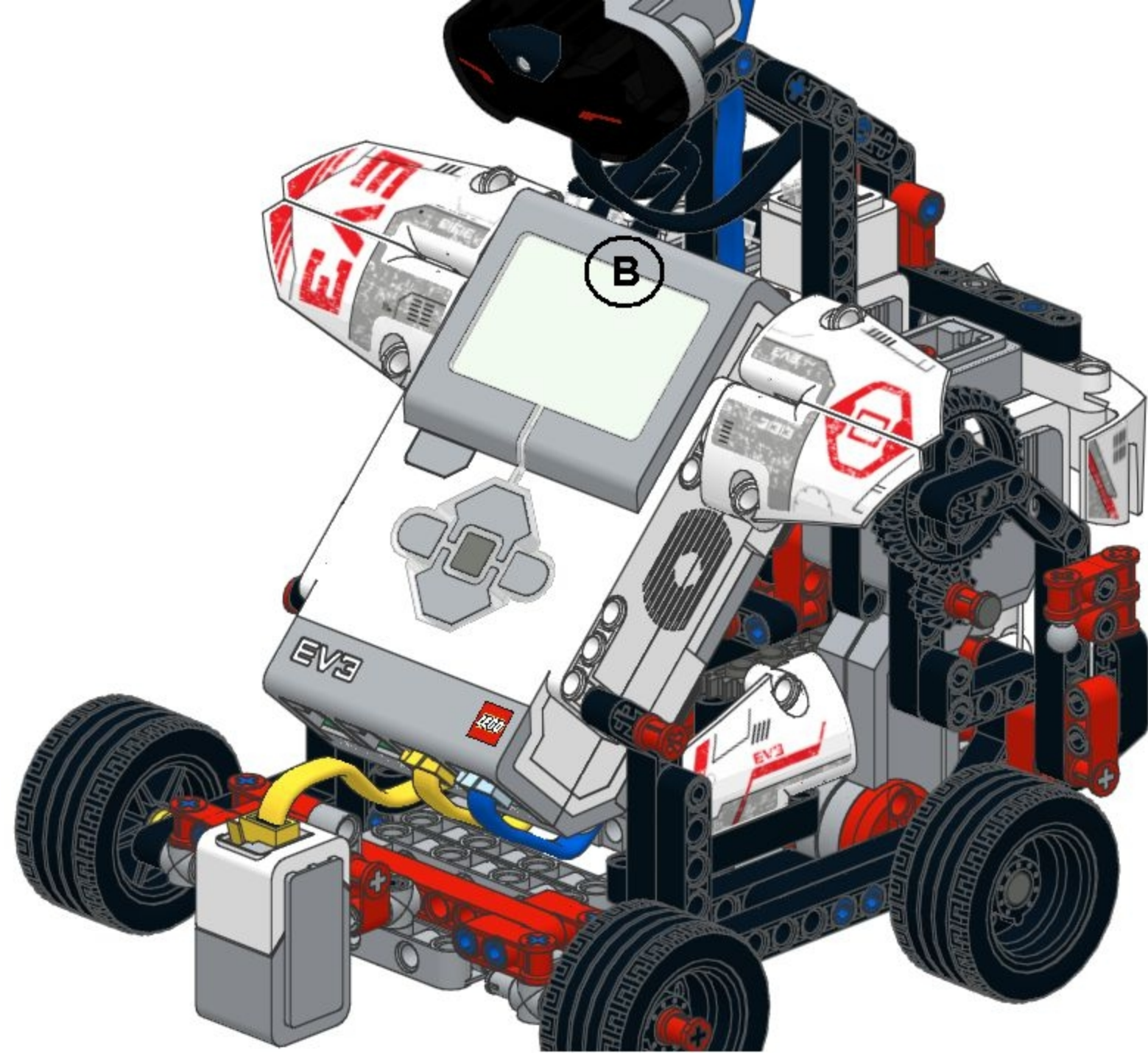
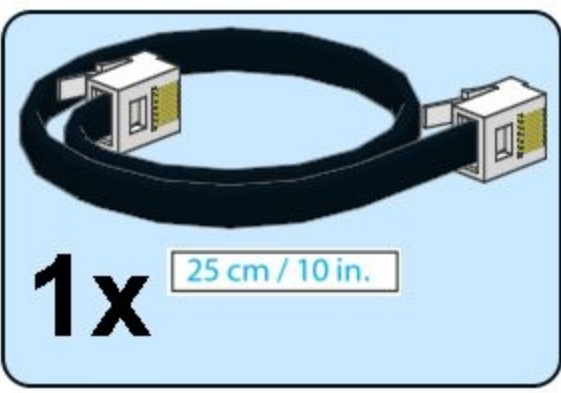
26



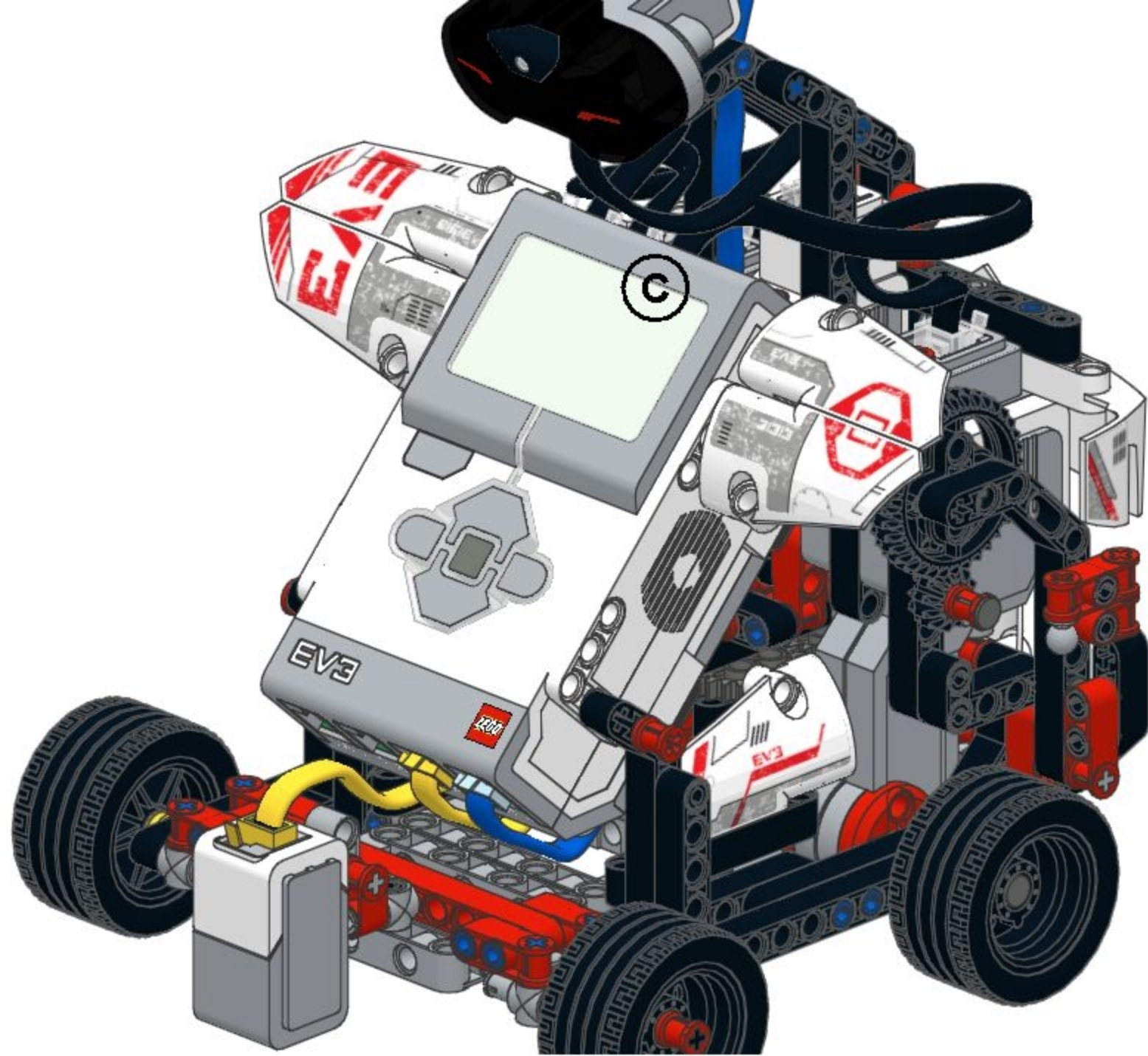
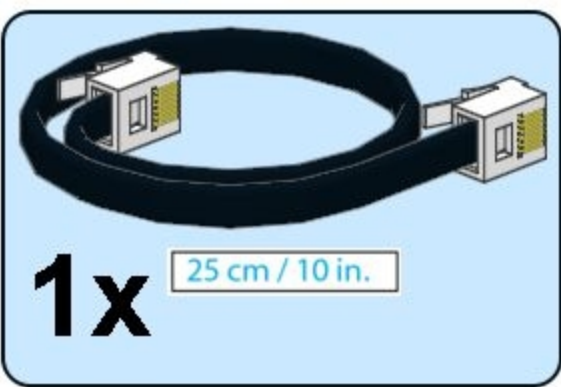




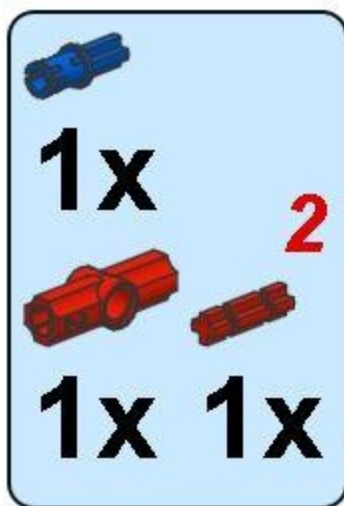
28



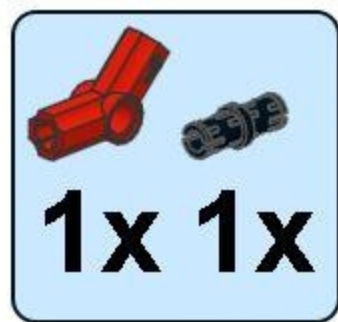
29



1



2



3

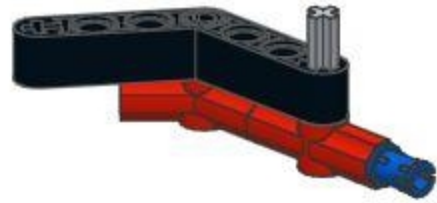
3



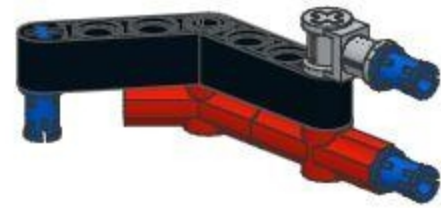
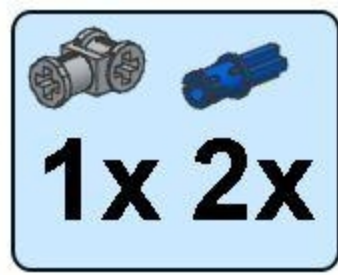
1x



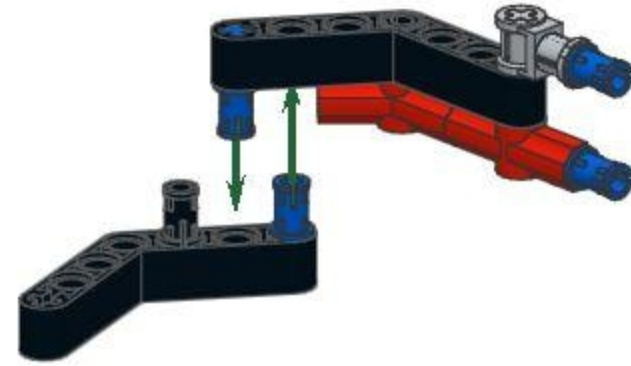
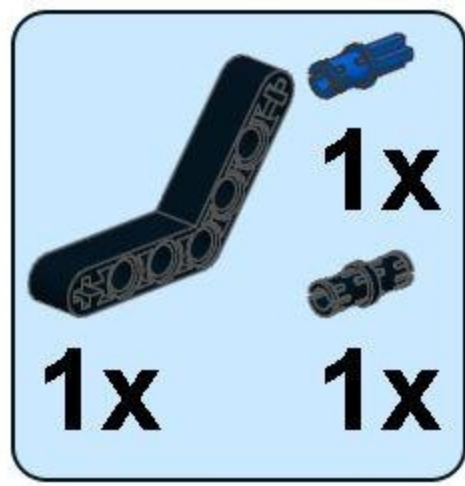
1x



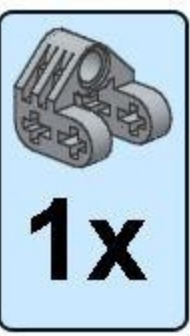
4

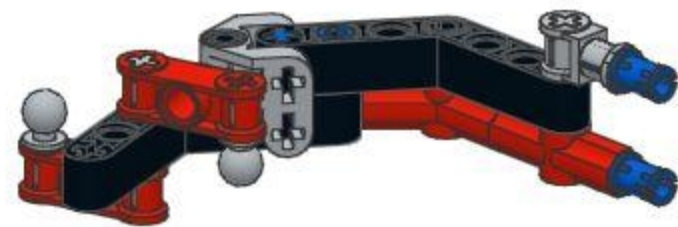
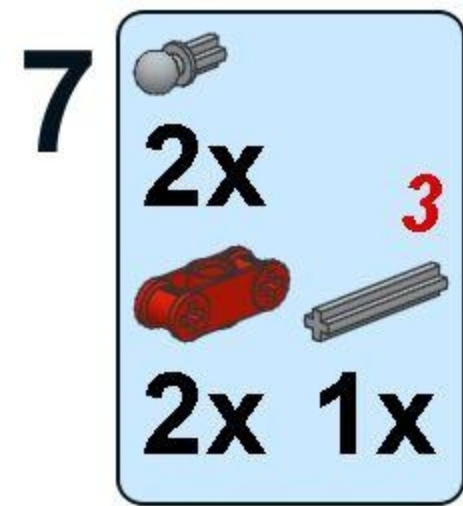


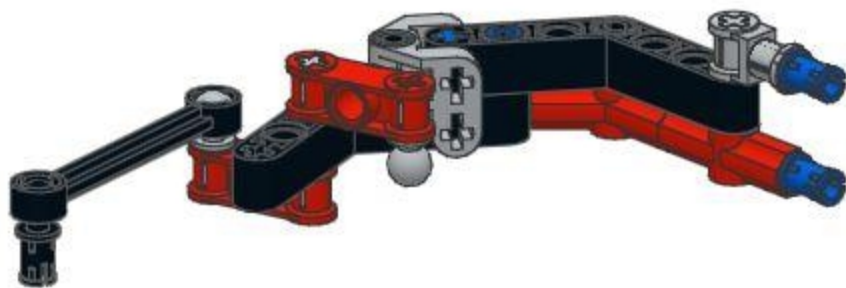
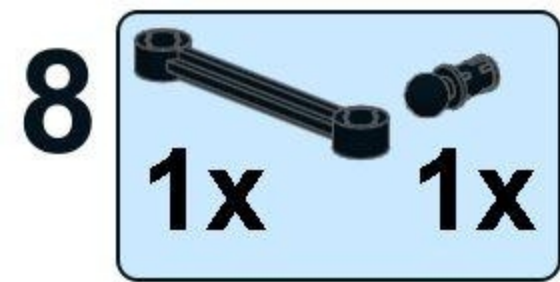
5



6



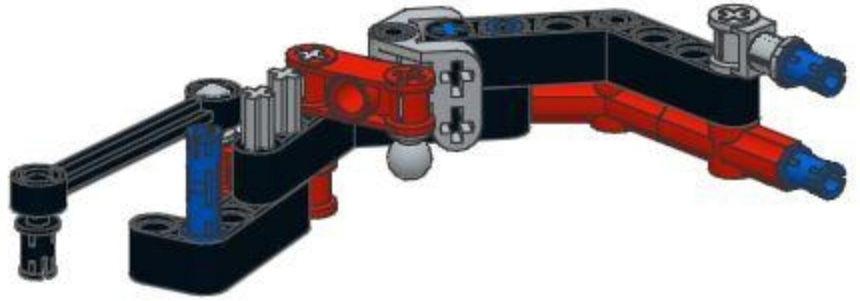




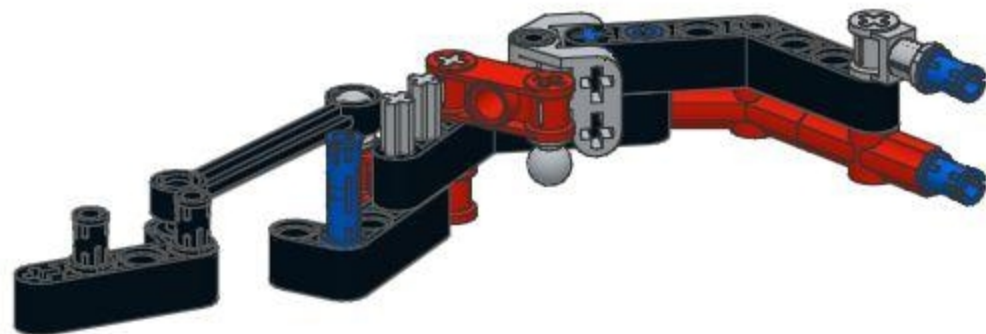
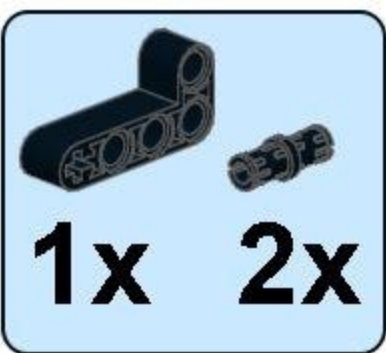
9



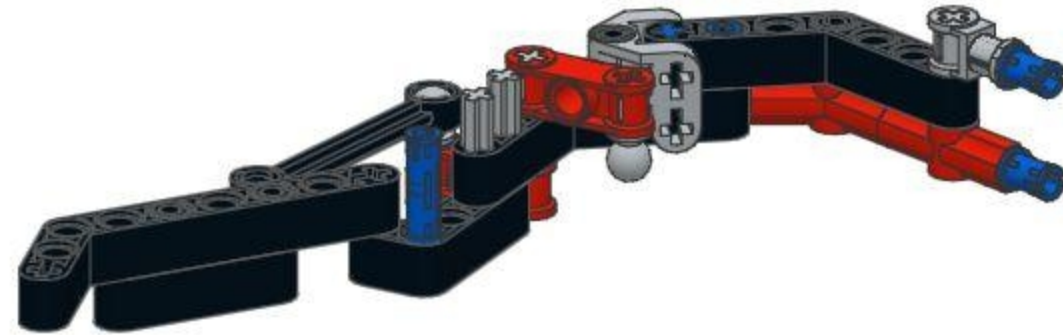
1x 2x 1x



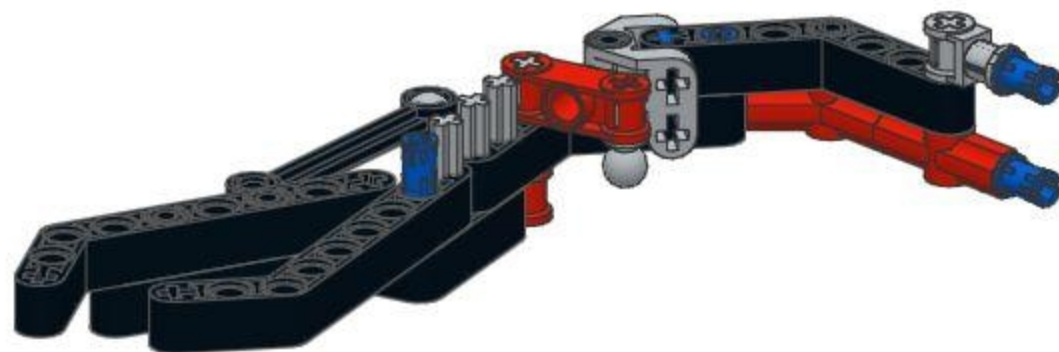
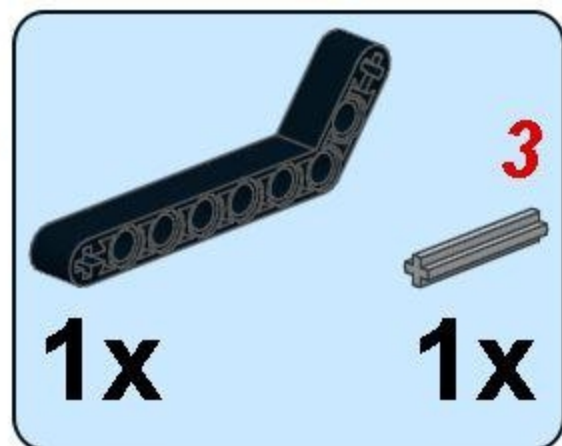
10



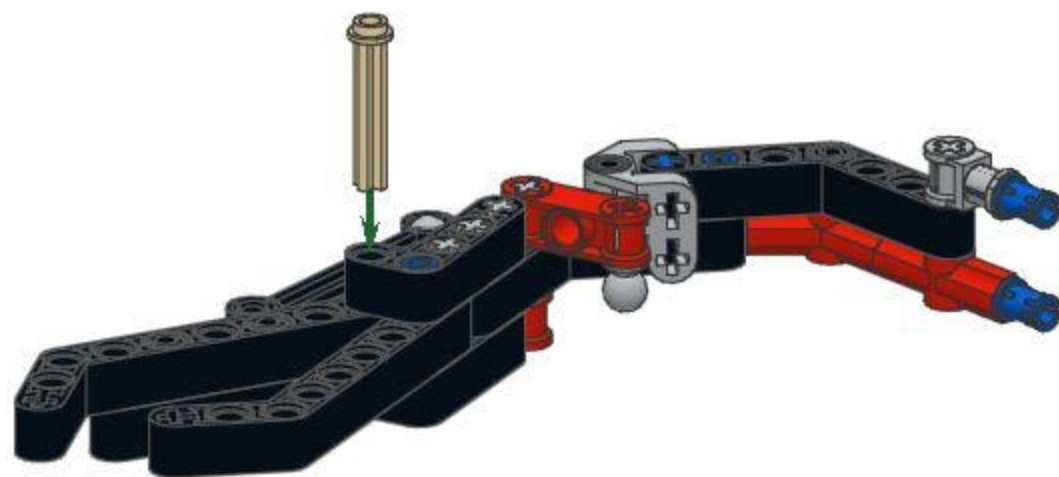
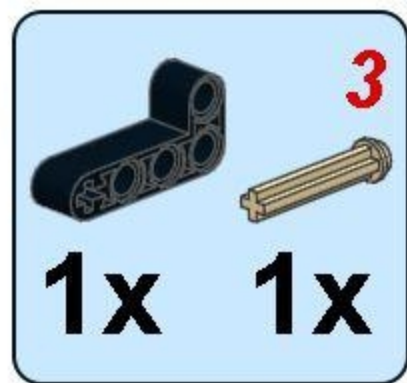
11



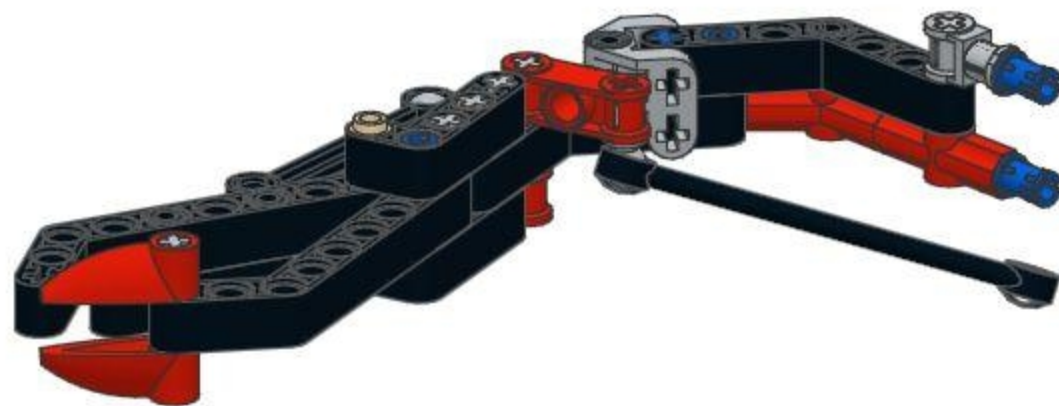
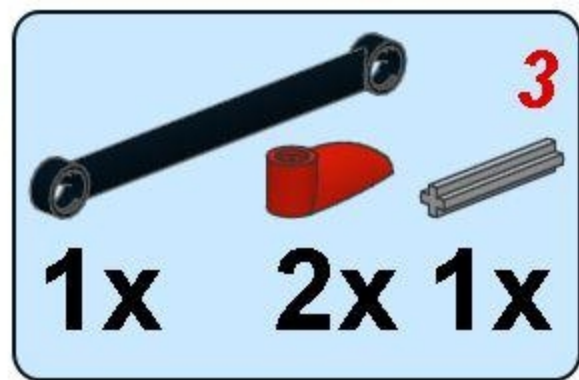
12



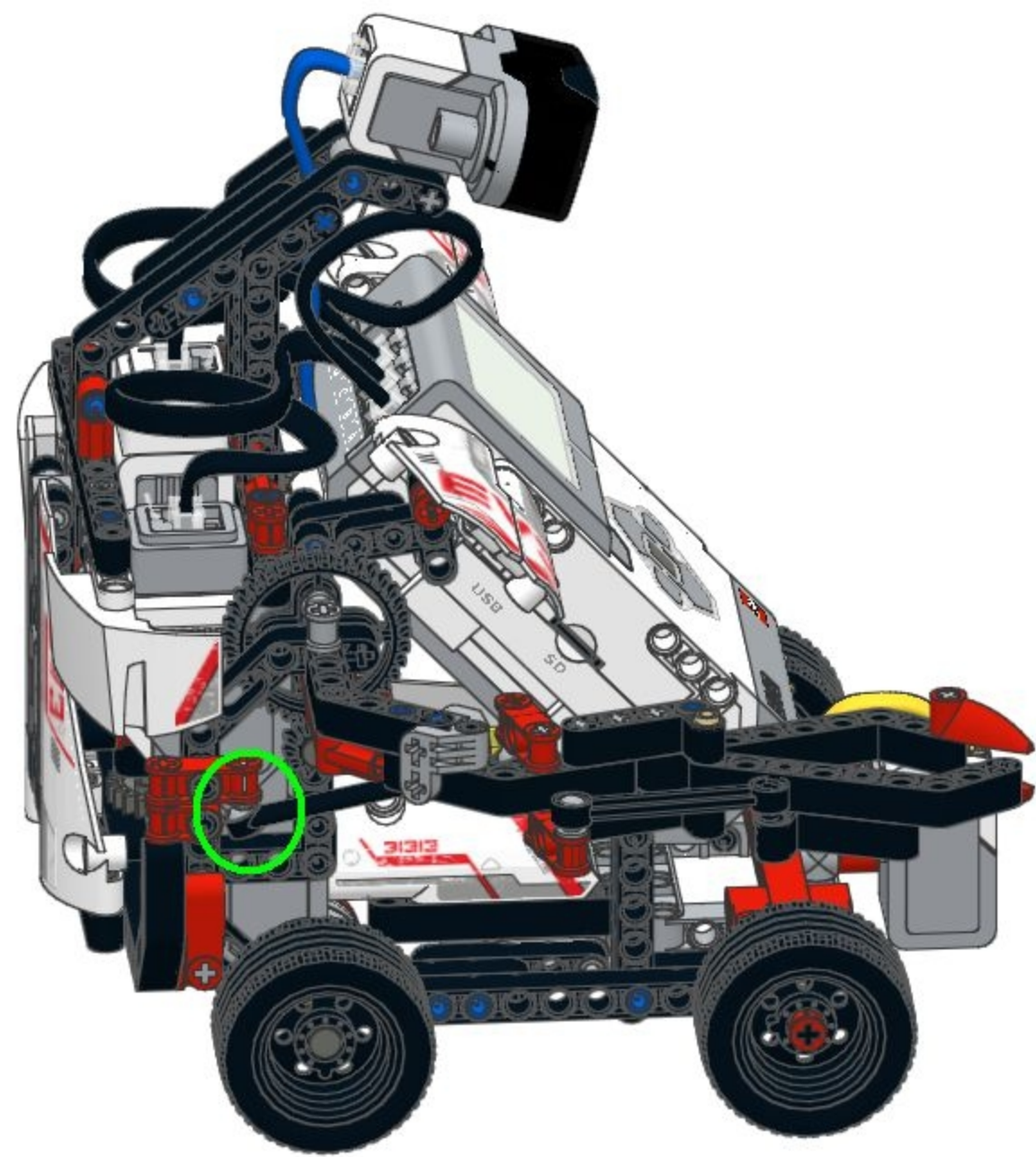
13



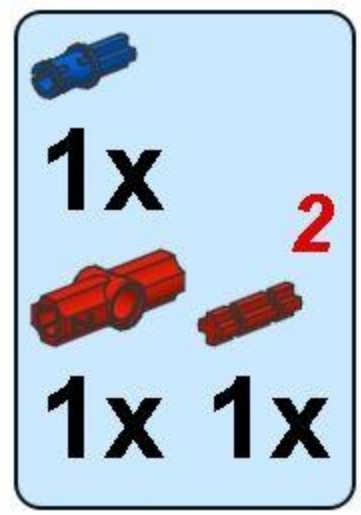
14



30



1



1x
1x 2
1x 1x

A light blue rounded square box containing a parts list. At the top left is a small blue Technic pin. Below it is the text '1x'. To the right of '1x' is a red Technic axle with a red bush and a red axle stop. Below this is the text '1x 2', where the '2' is red. At the bottom left is a red Technic axle with a red bush and a red axle stop. Below it is the text '1x 1x'.



2



3

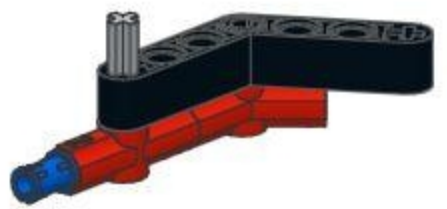
3



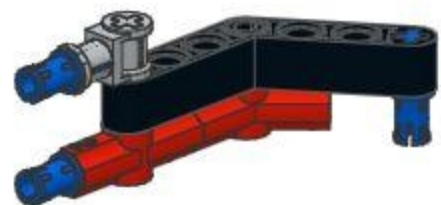
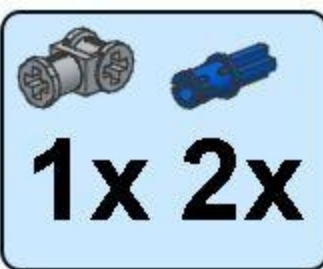
1x



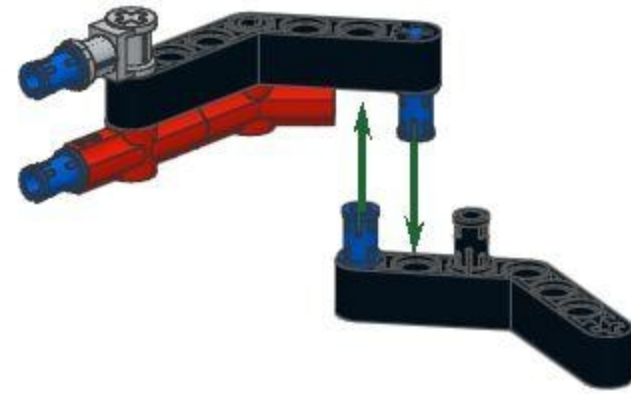
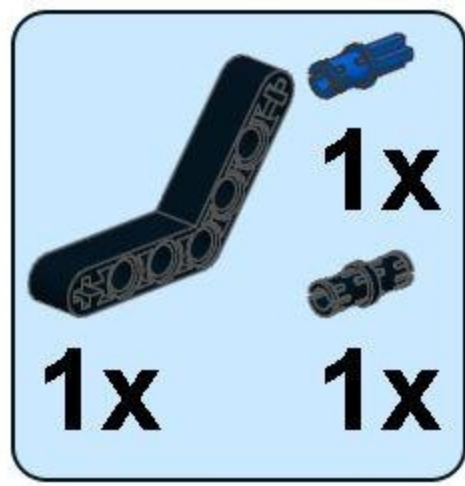
1x









4

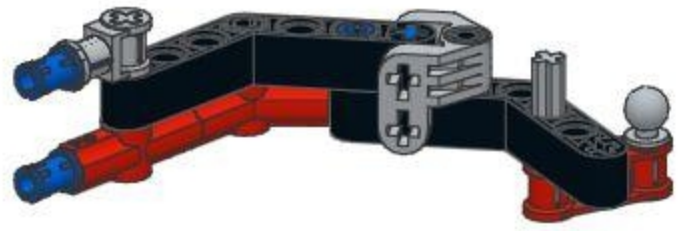


5




6

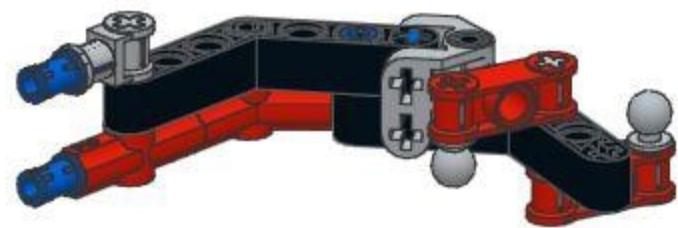
	
1x	1x
	
1x	3
	
1x	1x

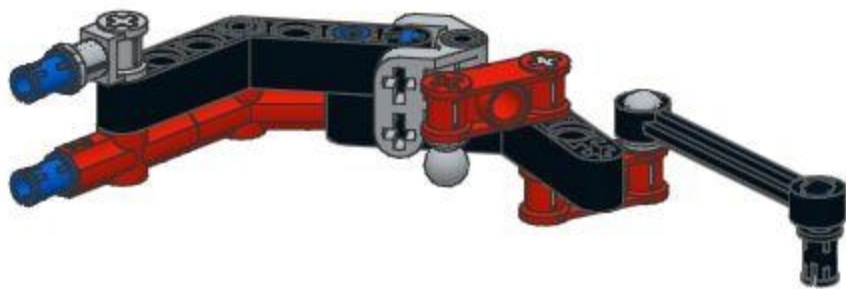
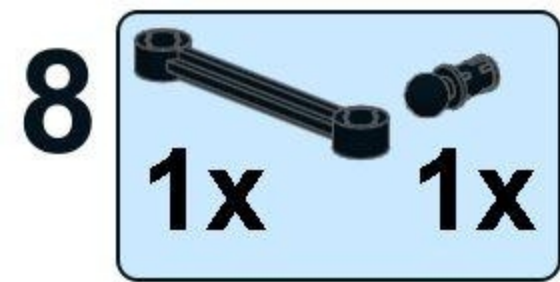


7

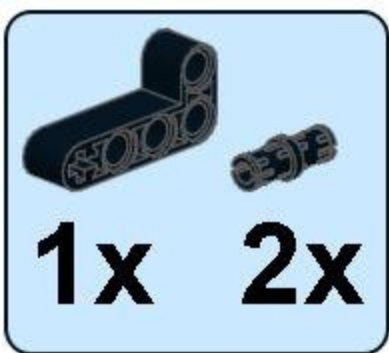


1x 1x

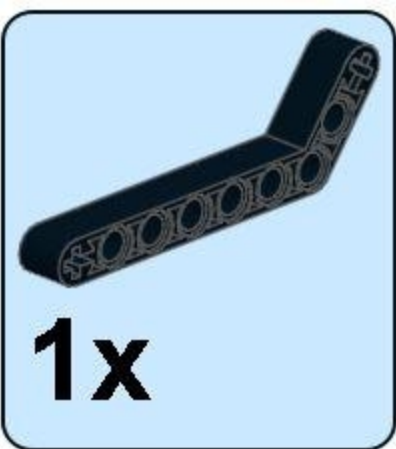




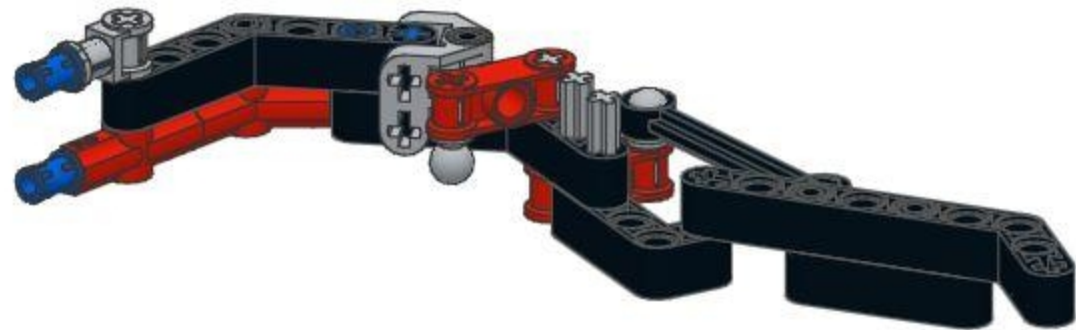
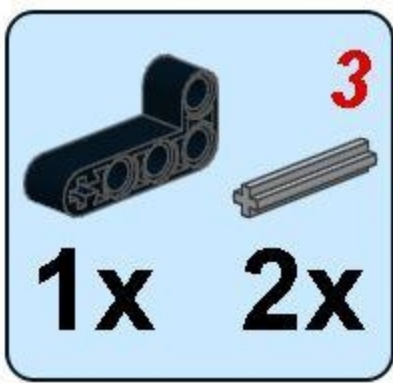
9



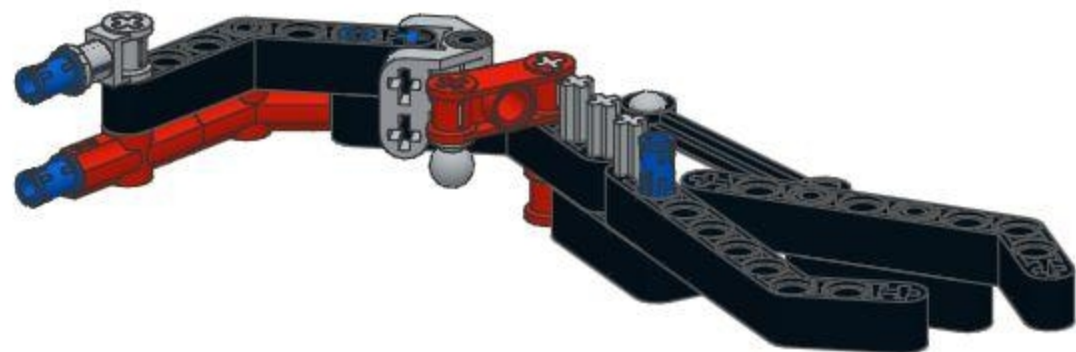
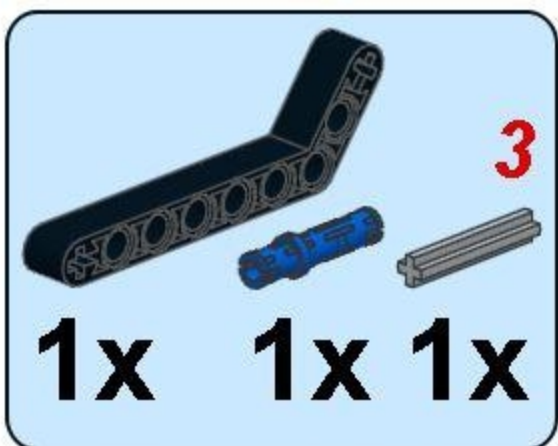
10



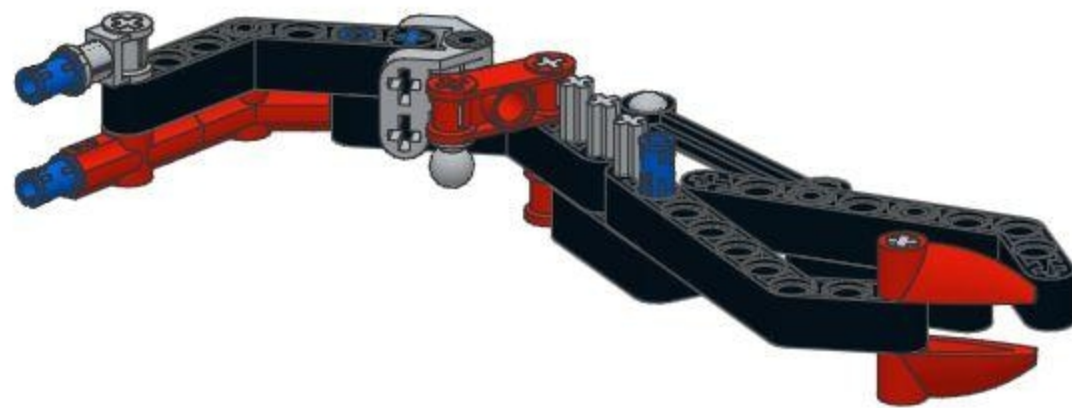
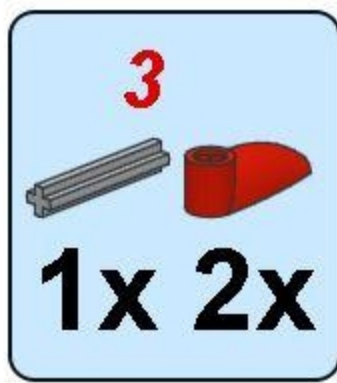
11



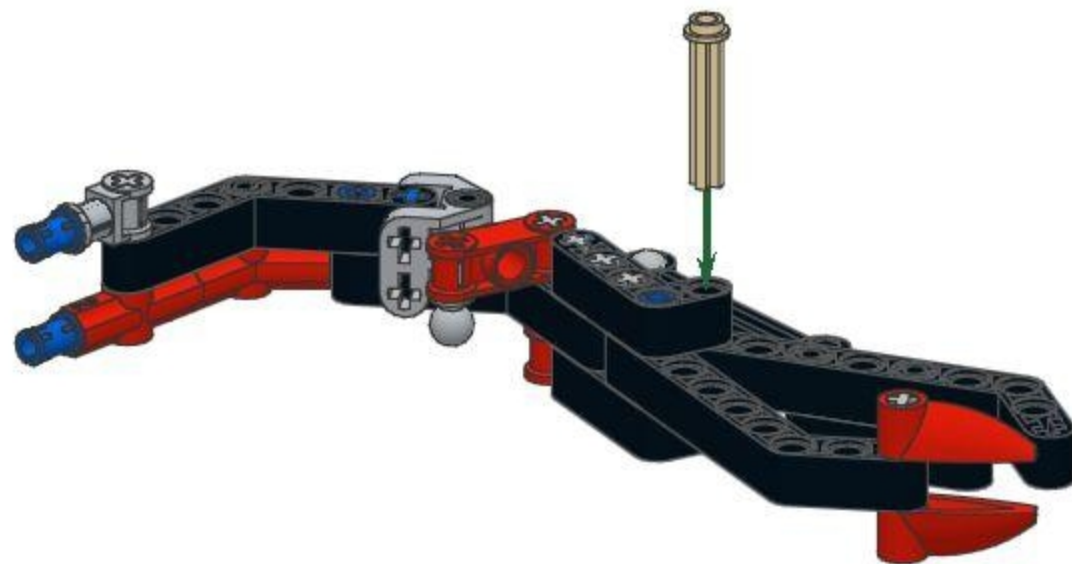
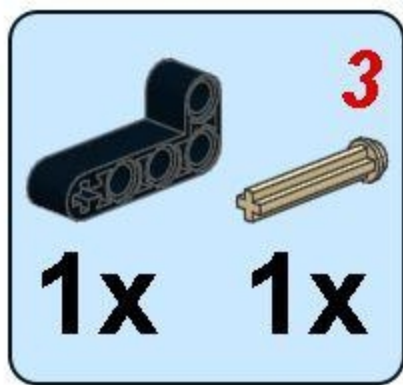
12



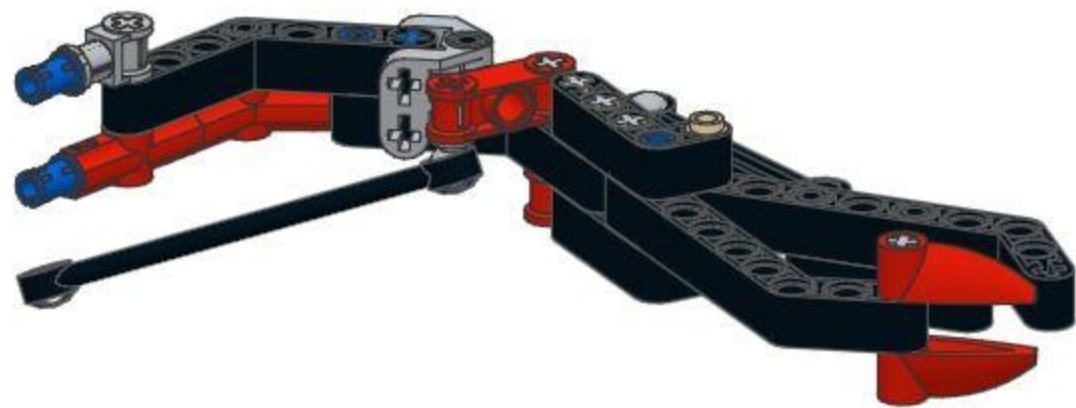
13



14



15



31

