



THE WAR OF GLORY



2315

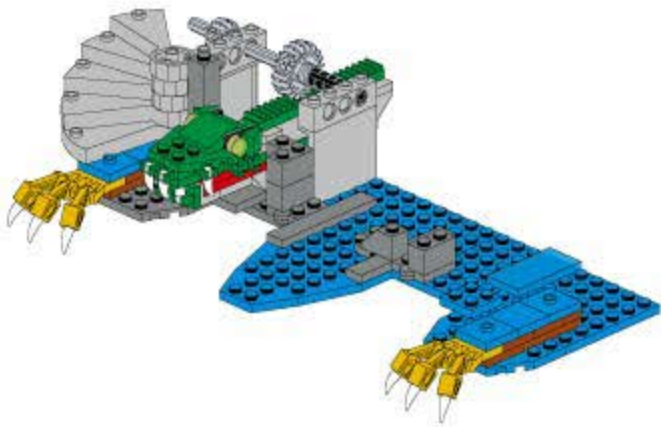
AGES: 6+

Minifigs: x 6

PCS: 656

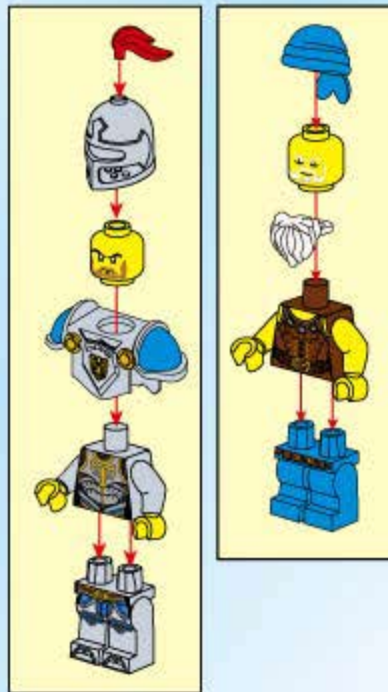
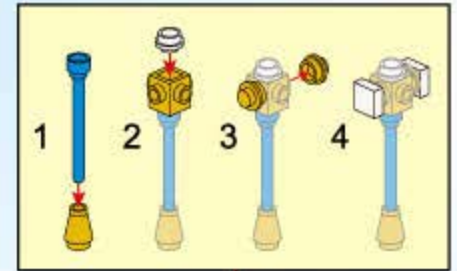
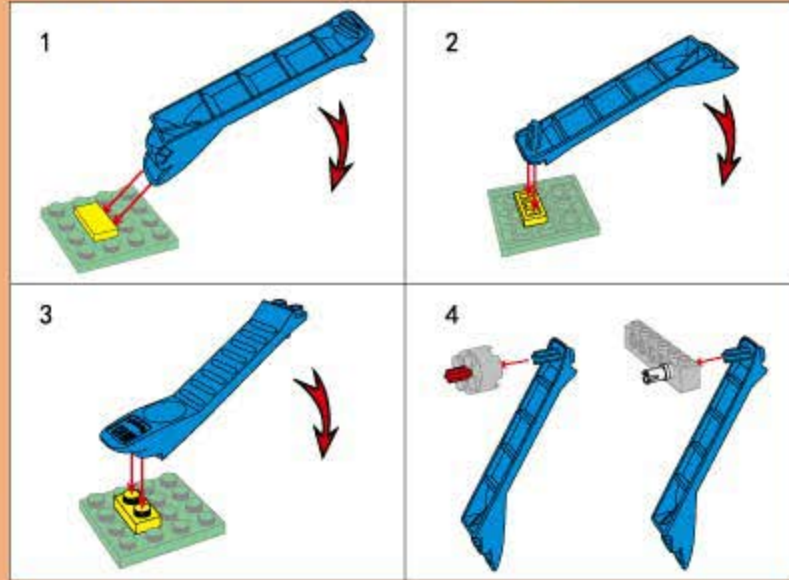


CASLE - SILVER HAWK

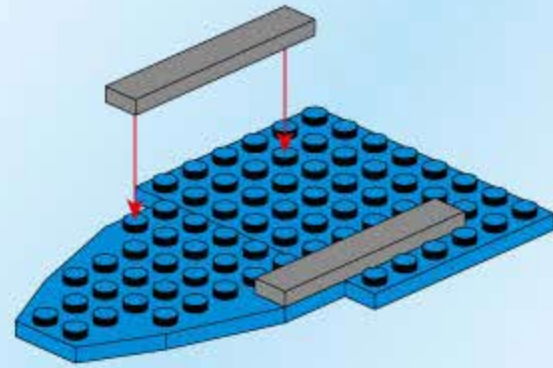
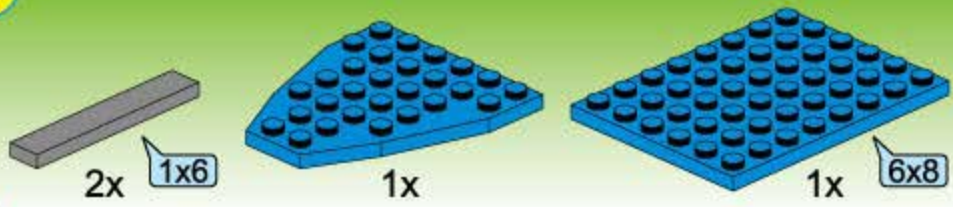


拆件器使用方法, 仅为示例

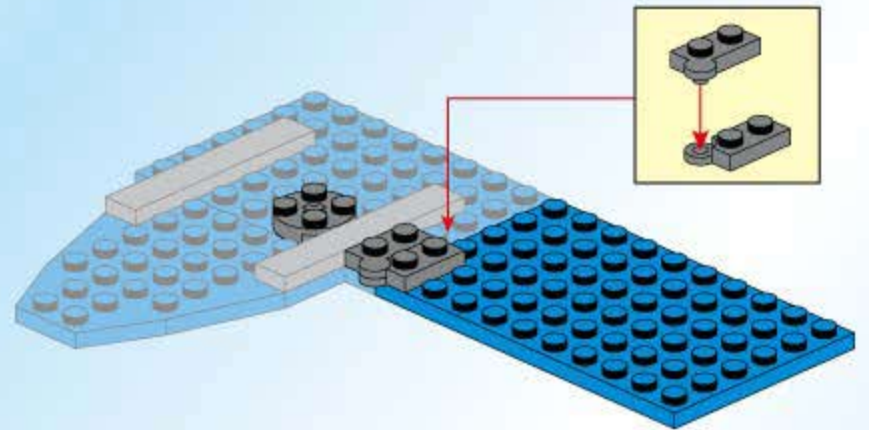
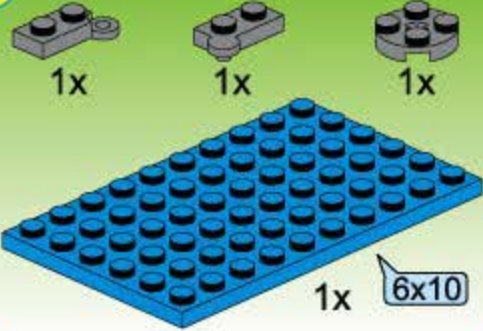
Usage of Brick Separator, Just for the sample



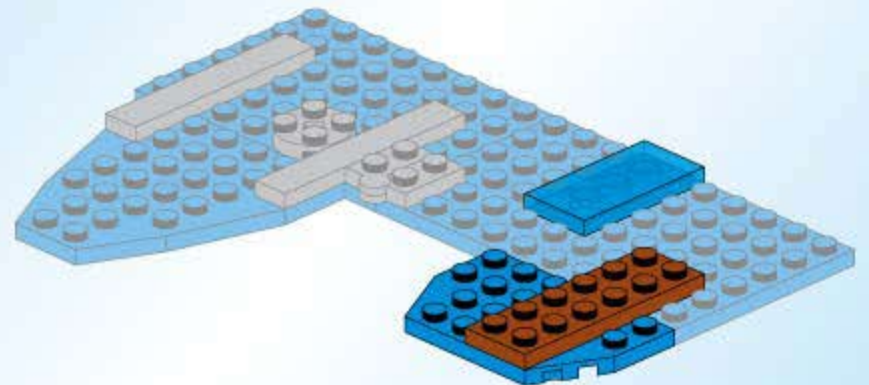
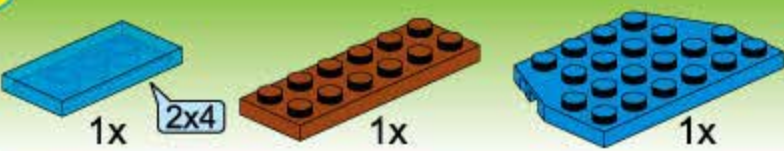
1



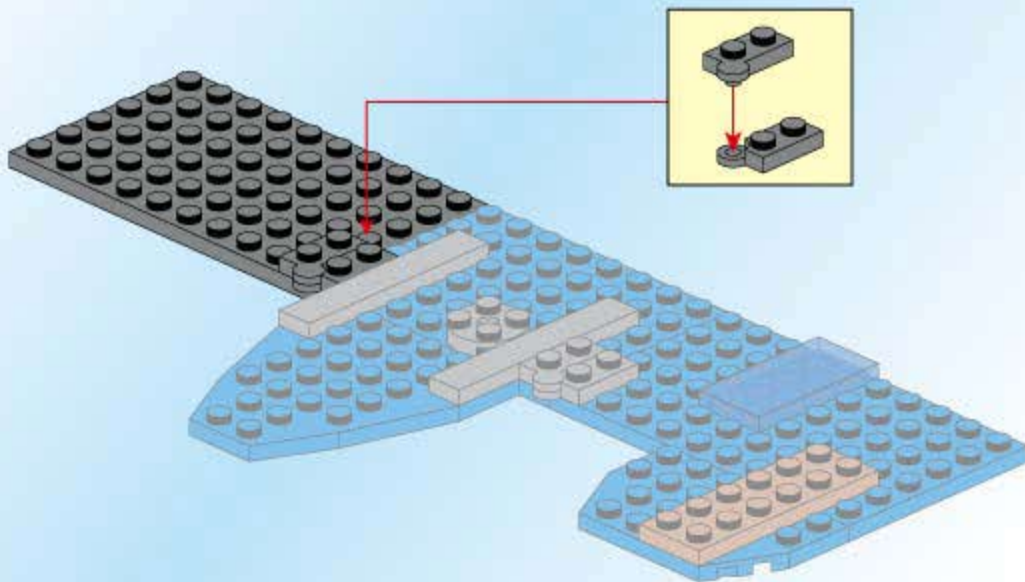
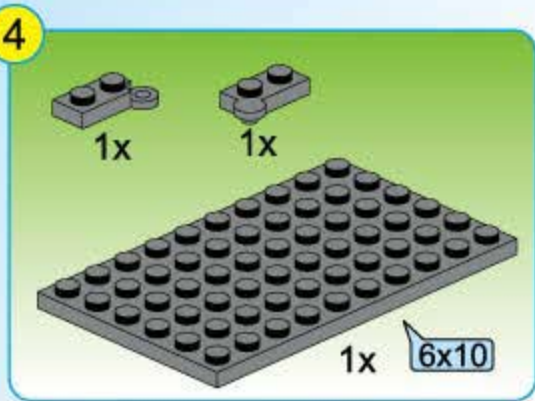
2



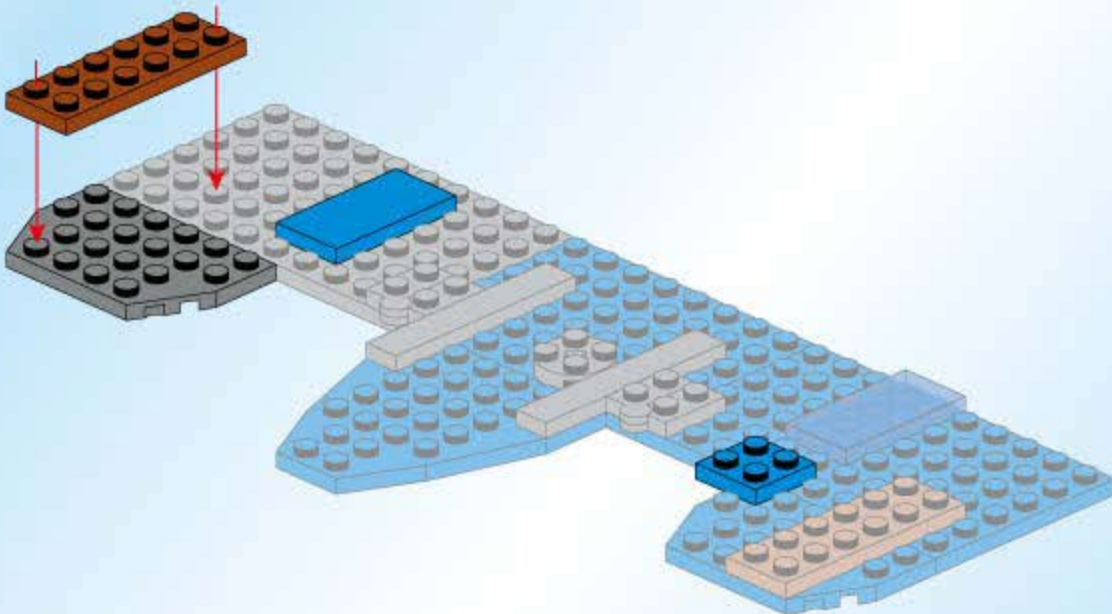
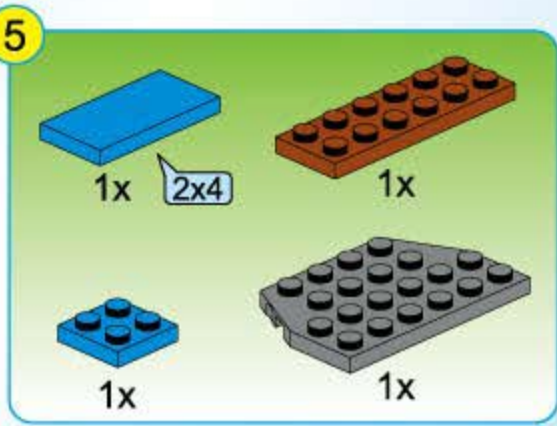
3



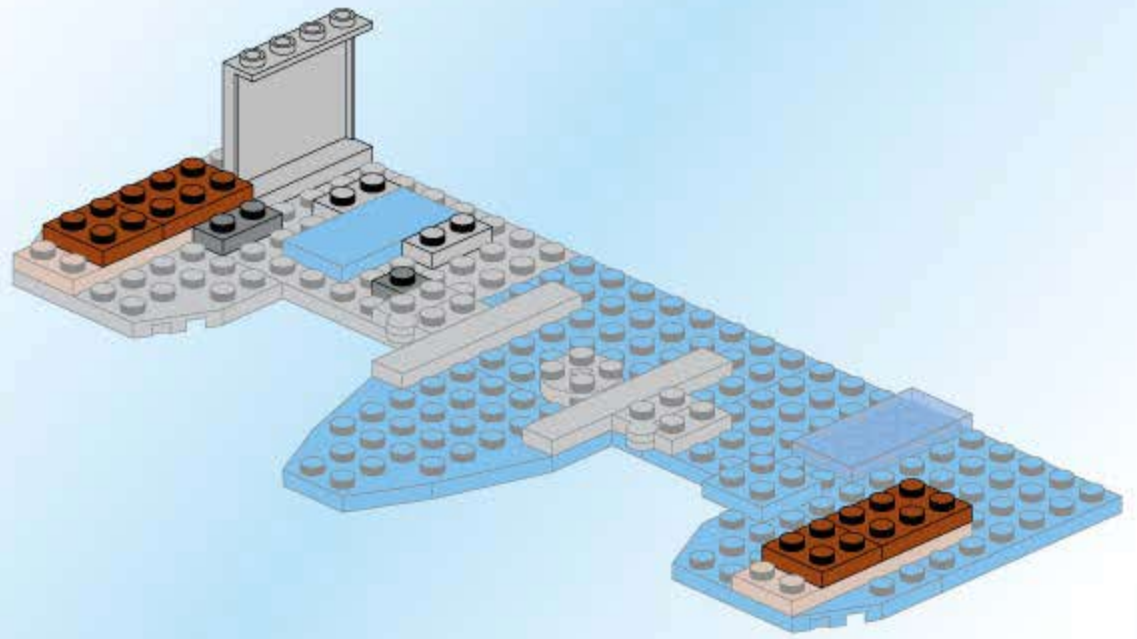
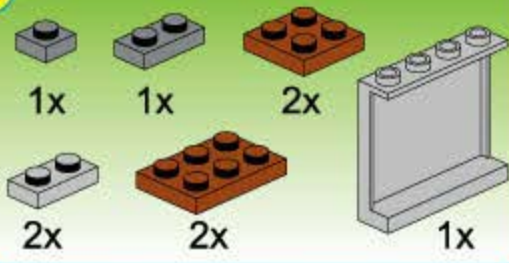
4



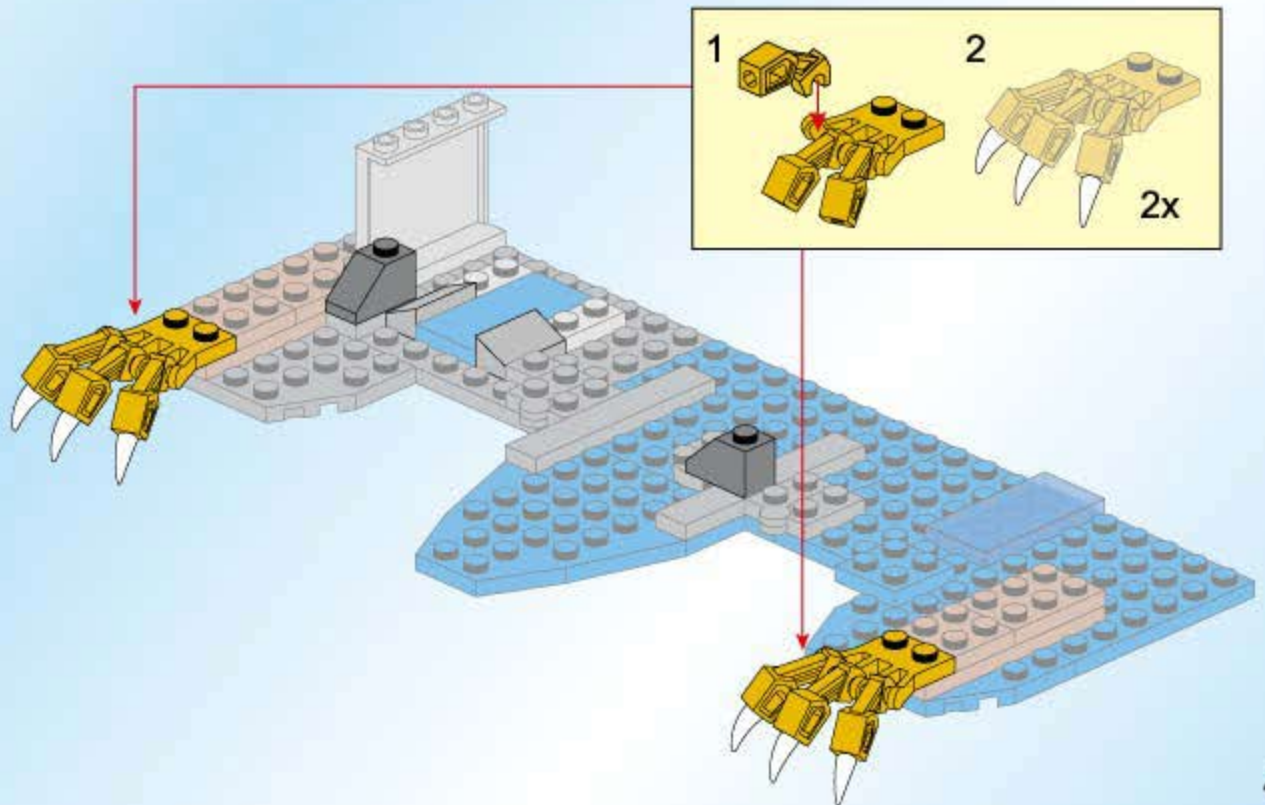
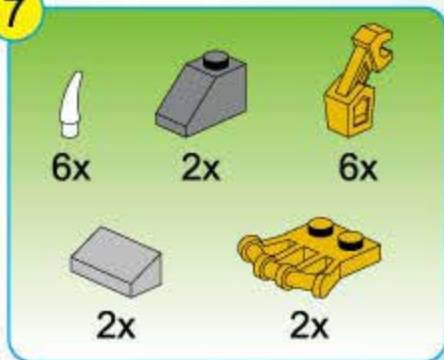
5



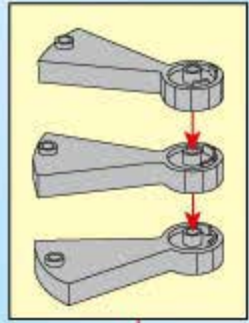
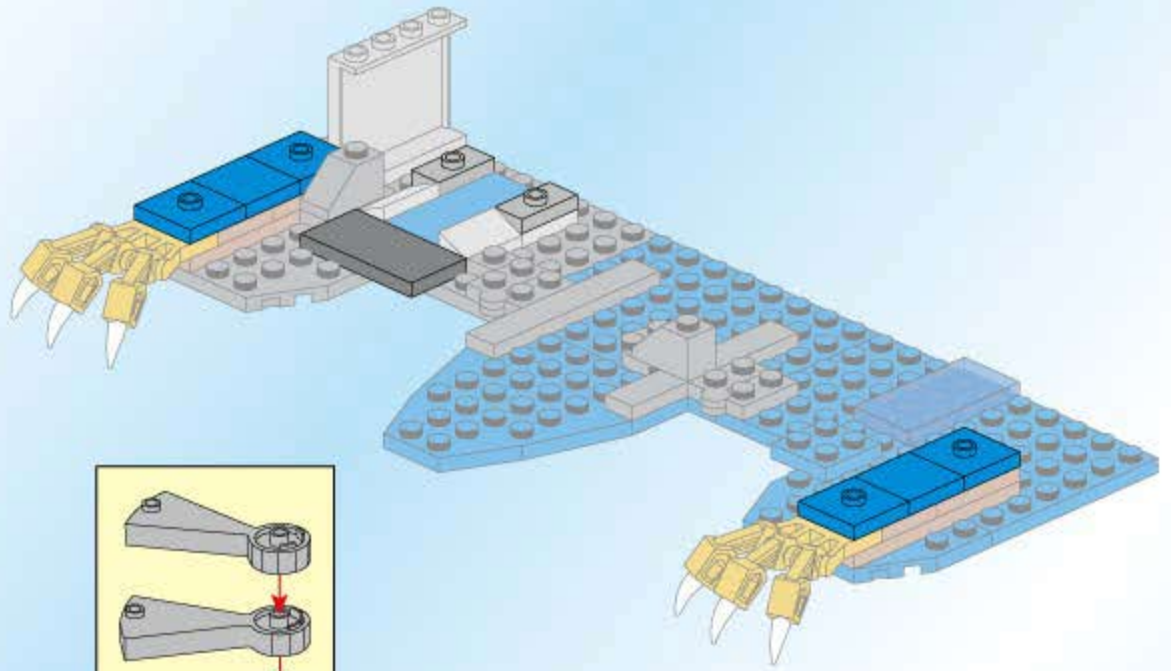
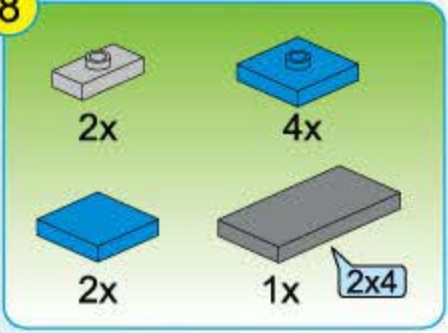
6



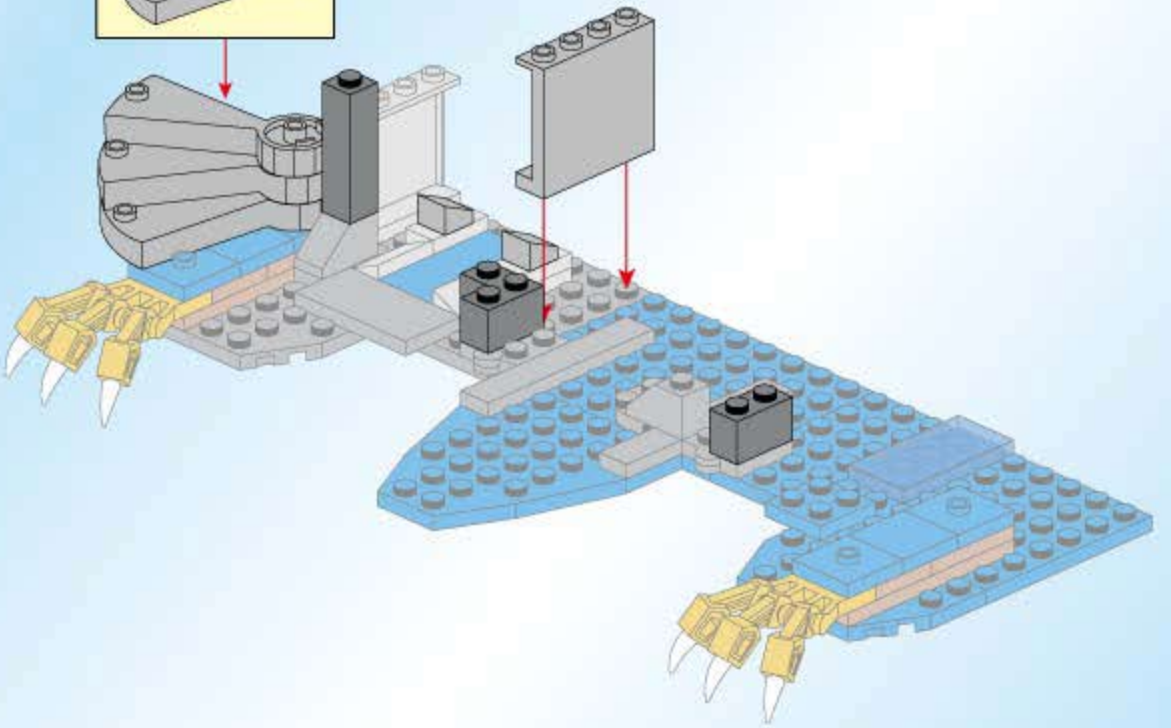
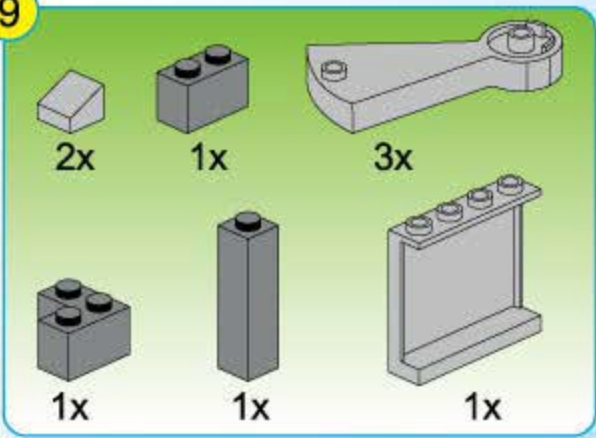
7




8

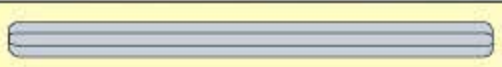


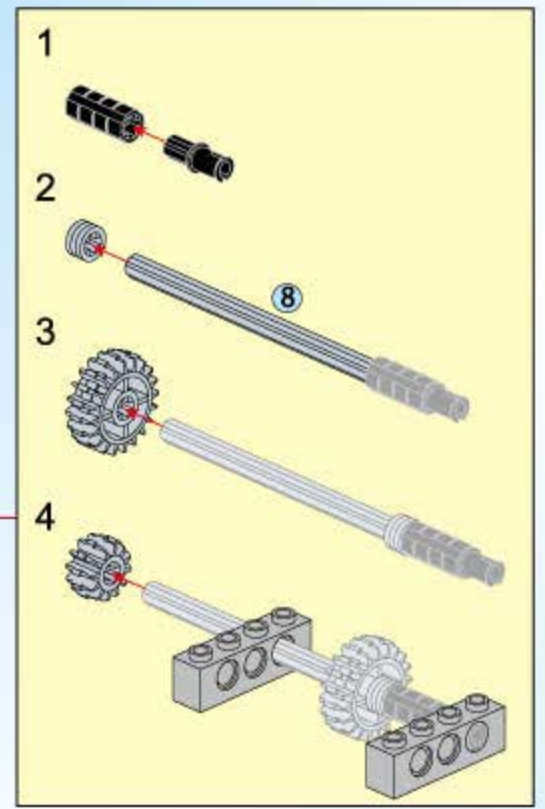
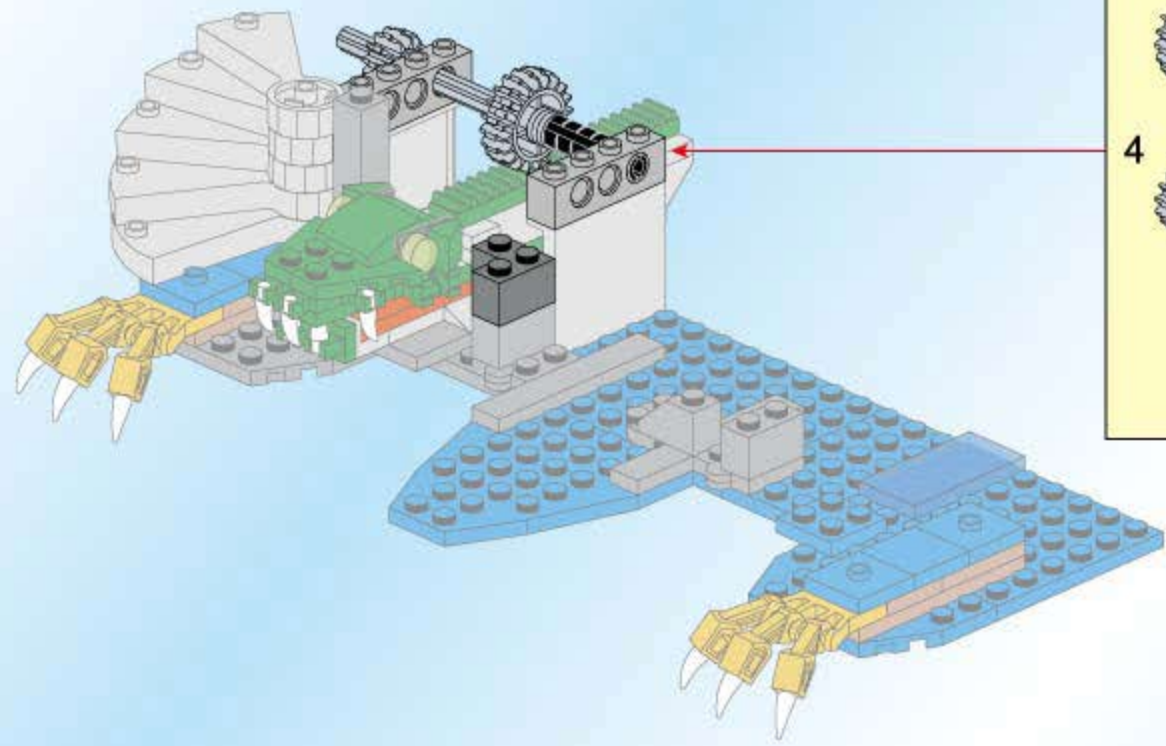
9



11

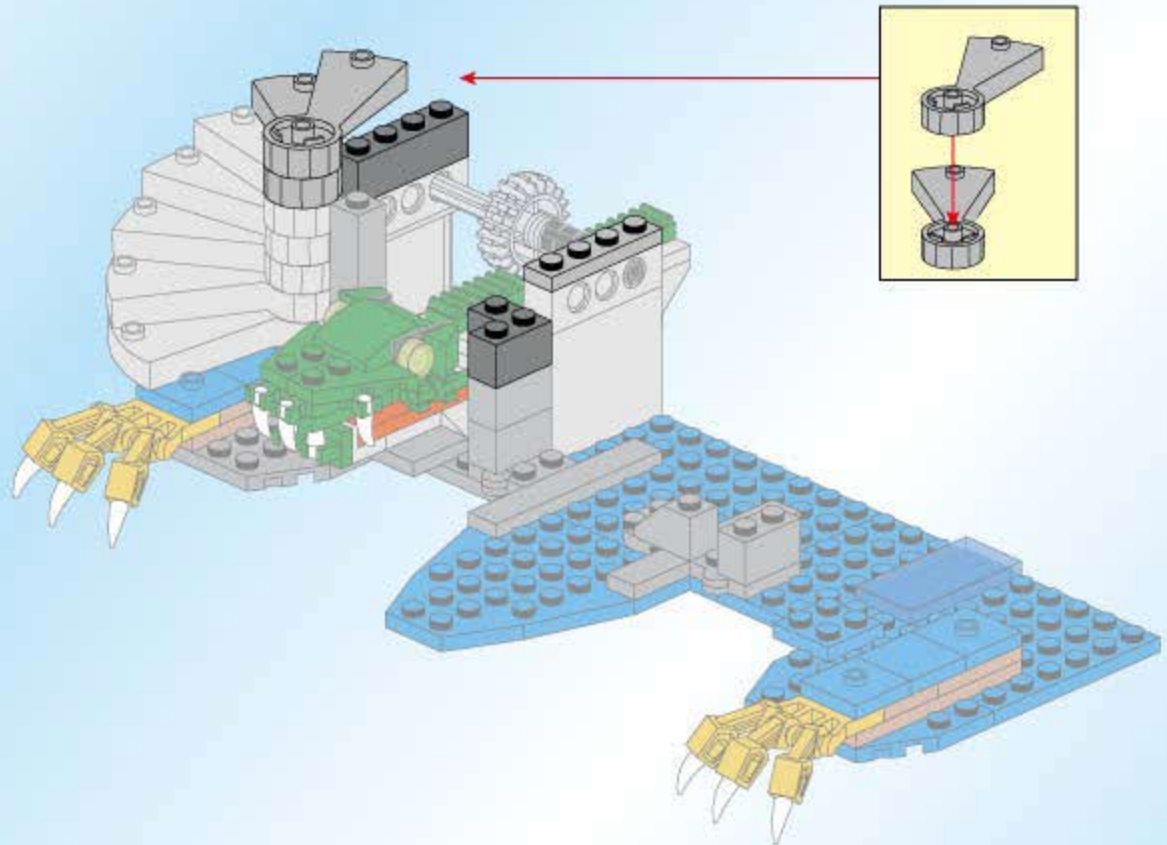
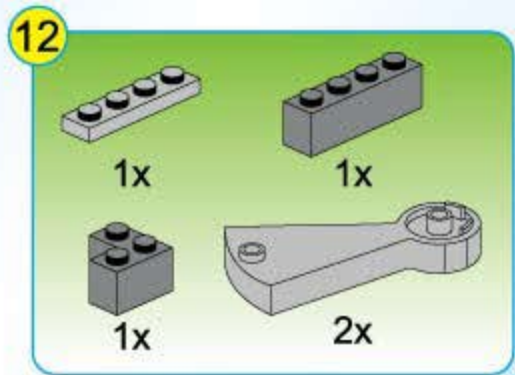
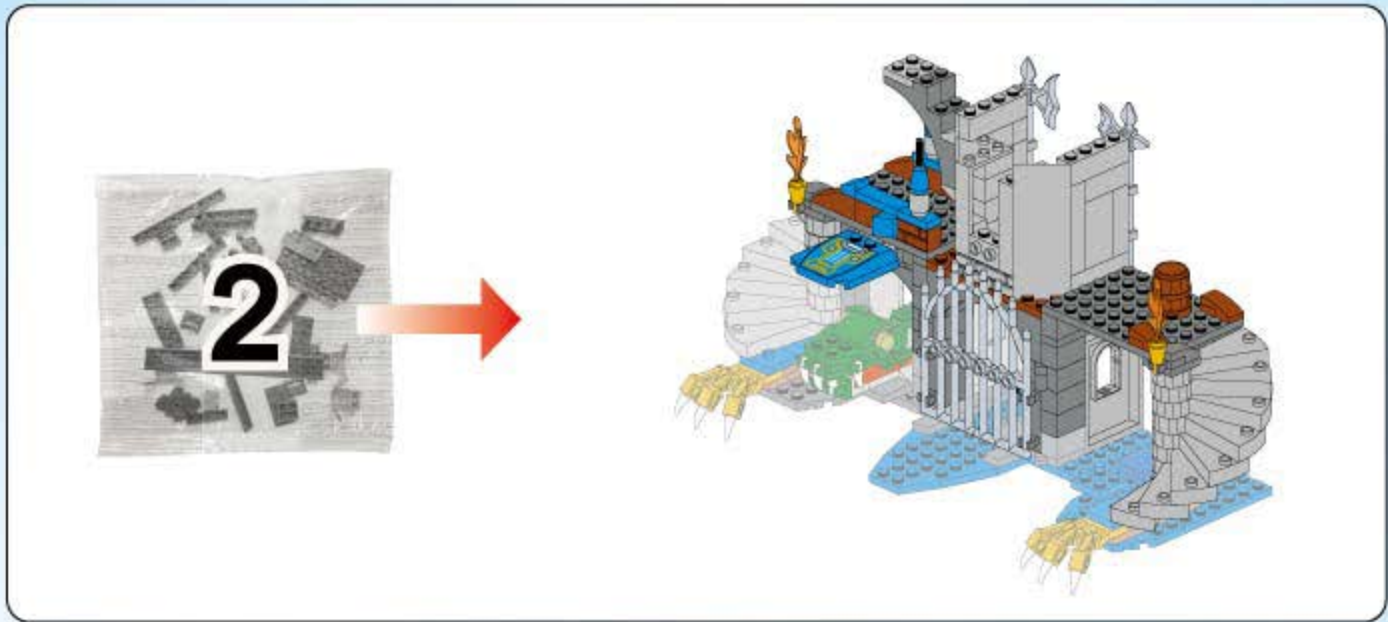
 1x	 1x	 1x
 1x	 1x	 2x
 1x	 1x	

 8 **1:1**

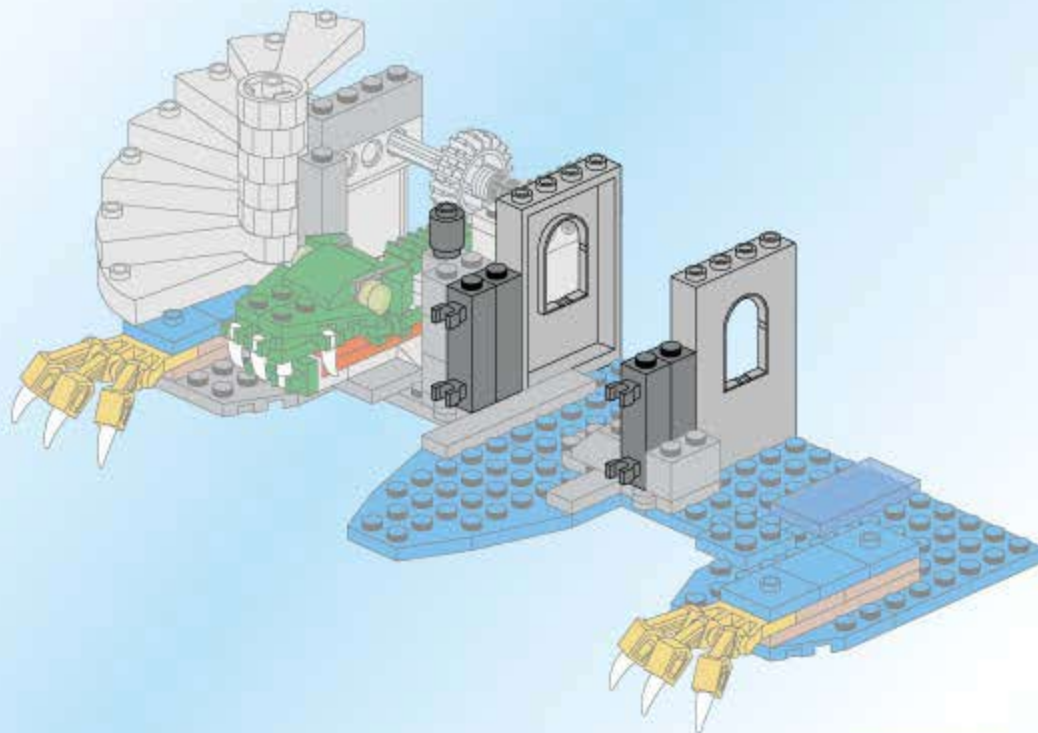
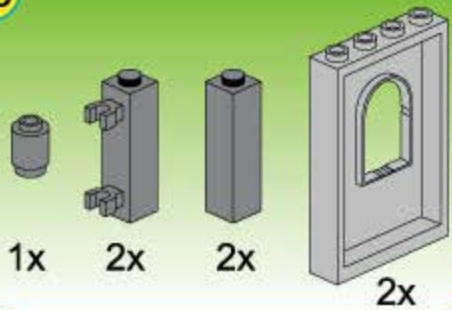


The sub-assembly diagram shows the step-by-step construction of the gear mechanism. It consists of four numbered steps:

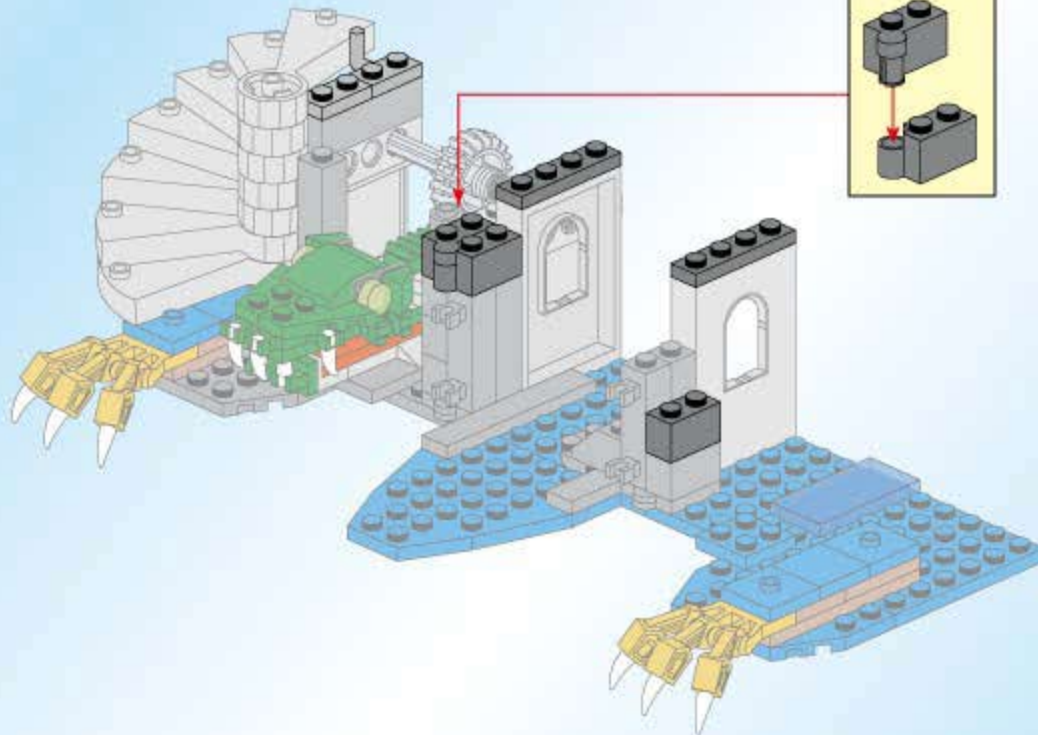
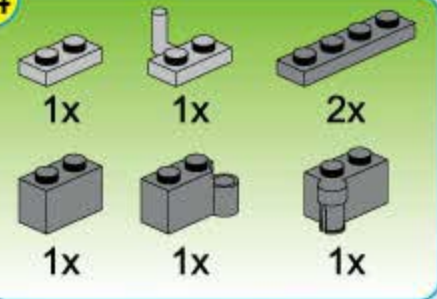
1. A black axle pin is inserted into a grey axle pin.
2. A grey gear is inserted onto the grey axle pin.
3. A grey axle pin with a small circle and the number 8 is inserted into the grey gear.
4. The grey gear is inserted into a grey 1x4 brick with 4 holes, which is already inserted into a grey 1x2 brick with 2 holes.



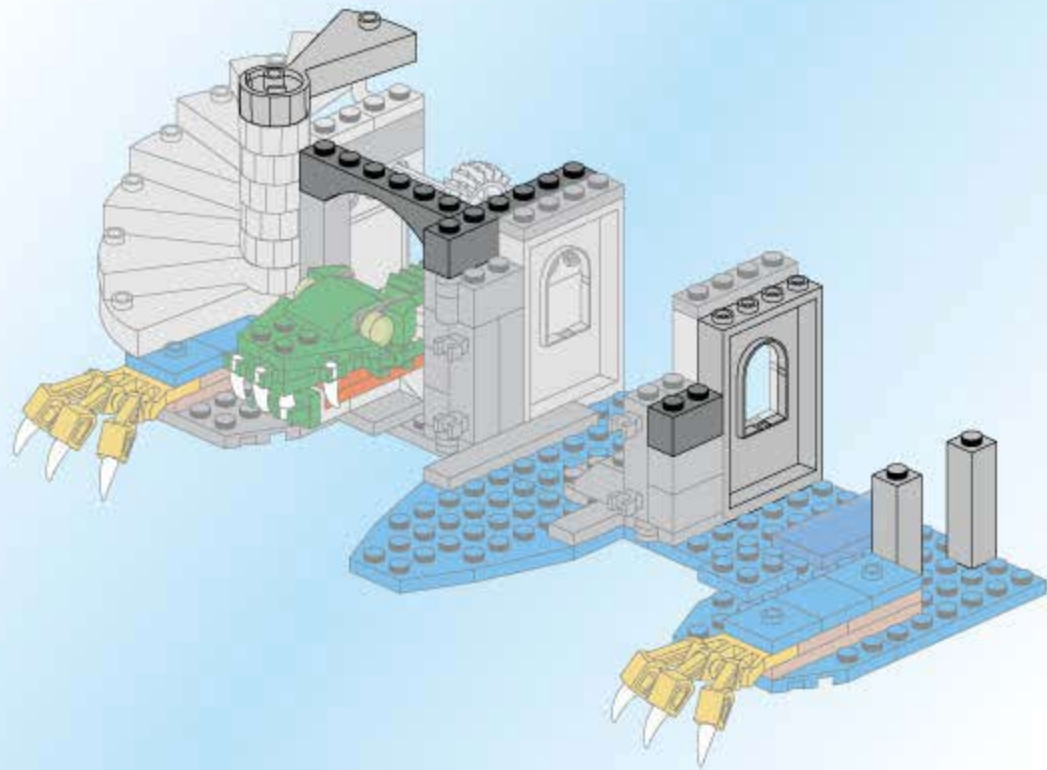
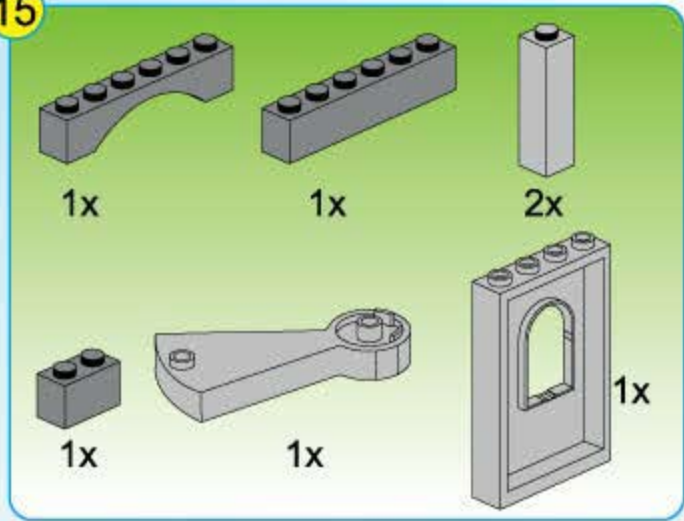
13



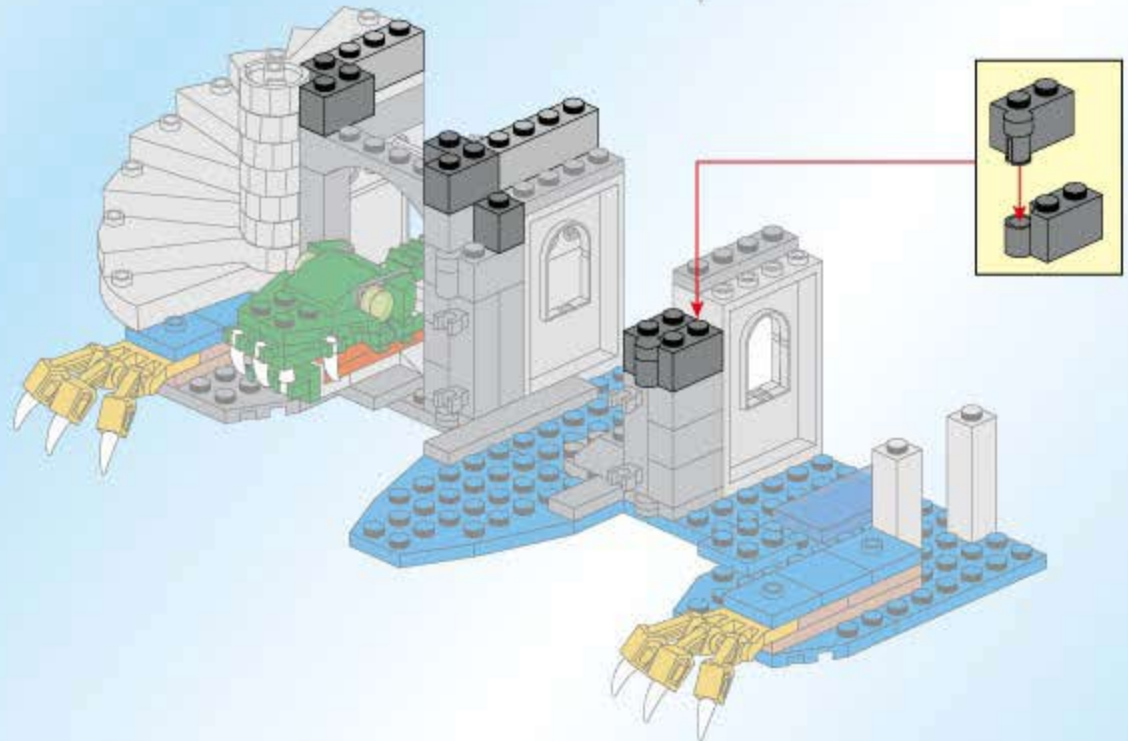
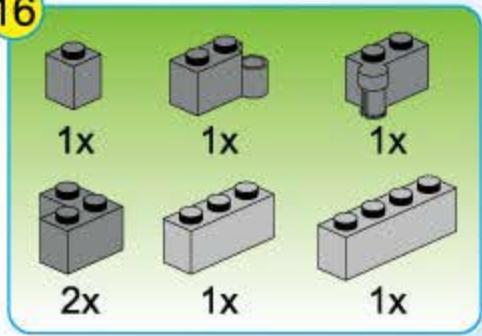
14



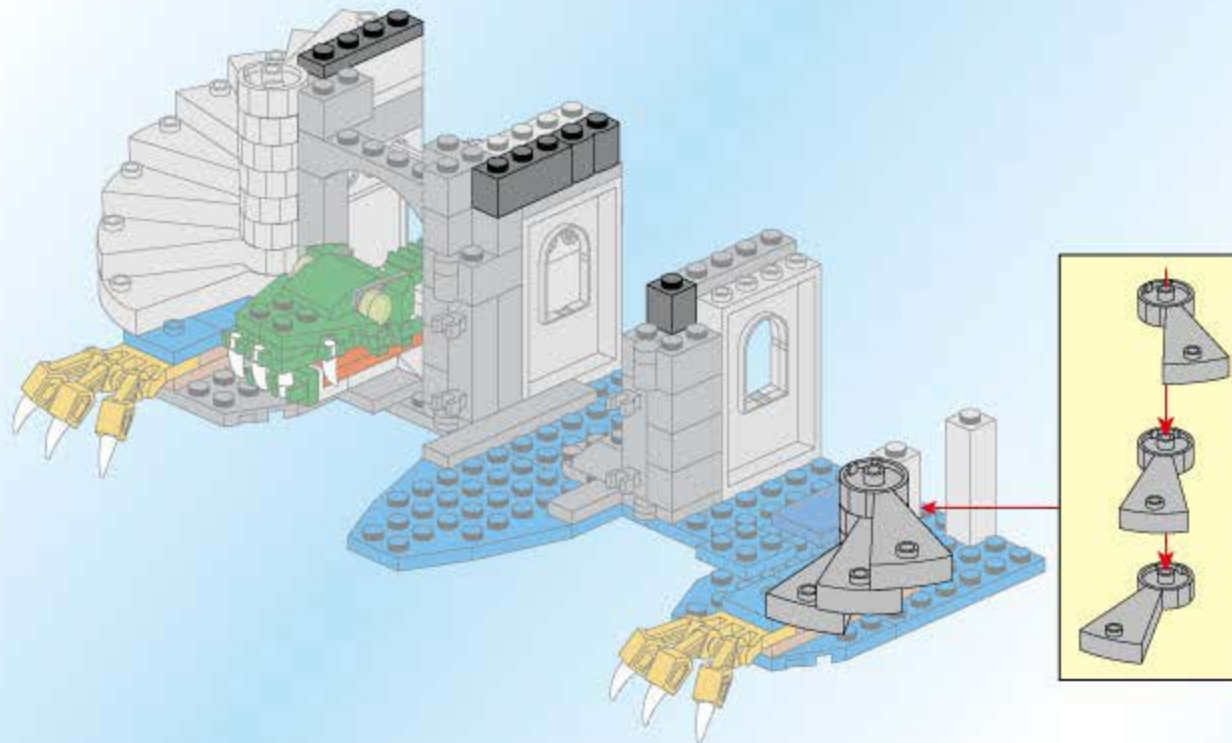
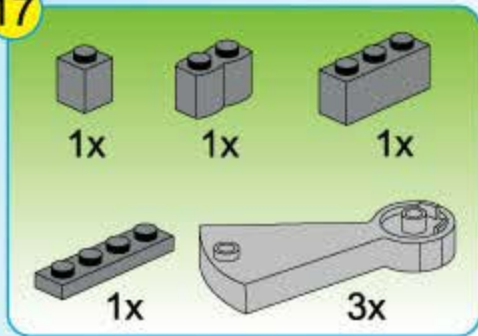
15



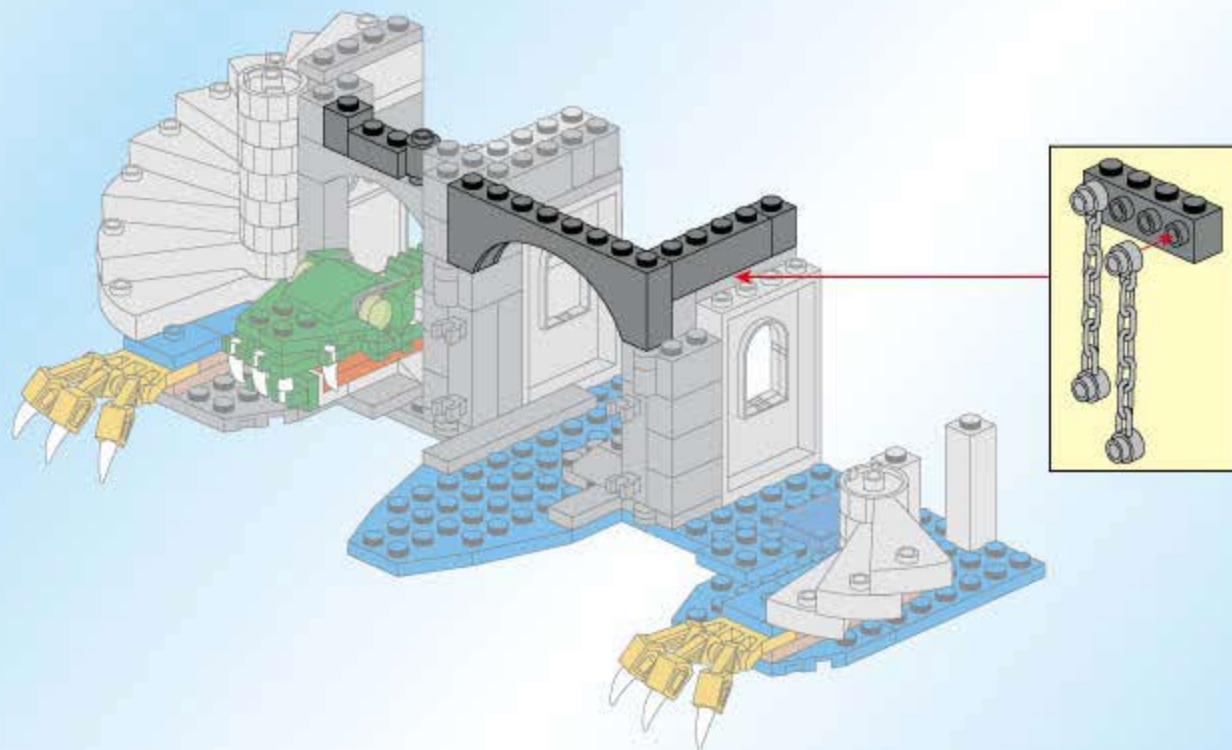
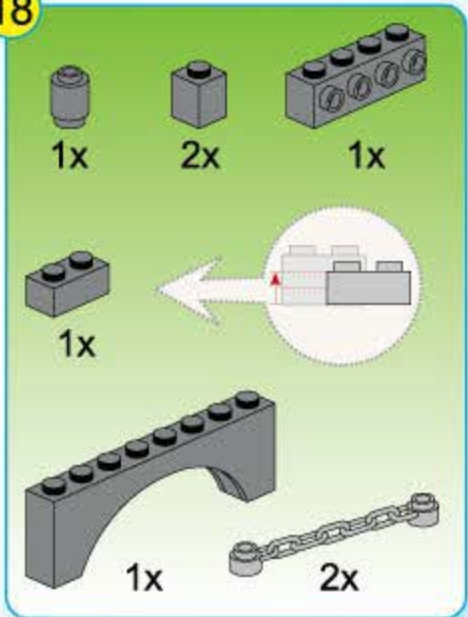
16



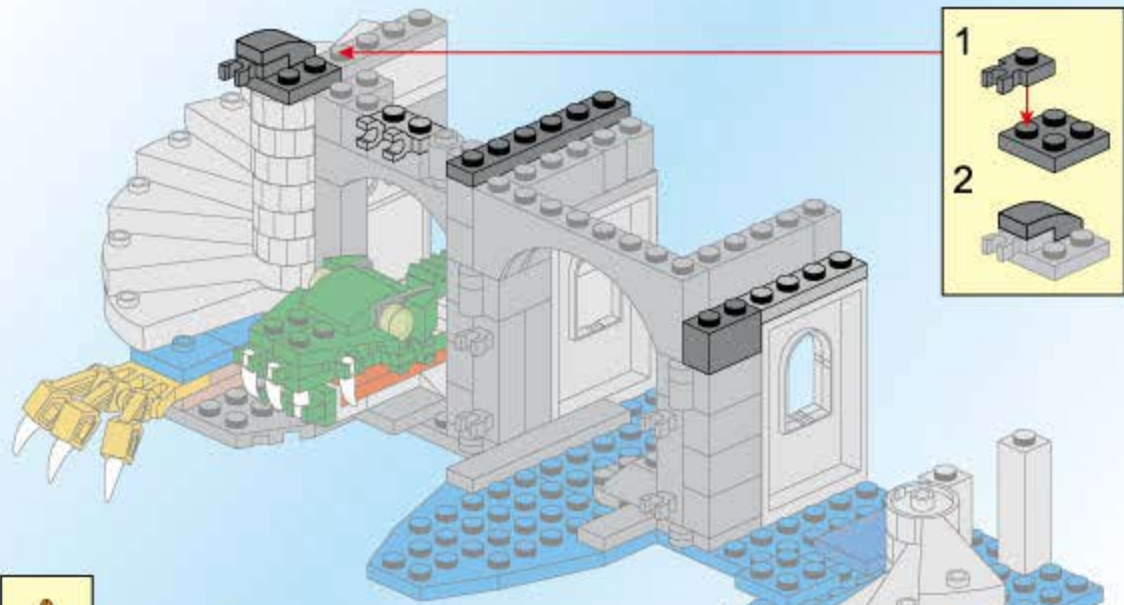
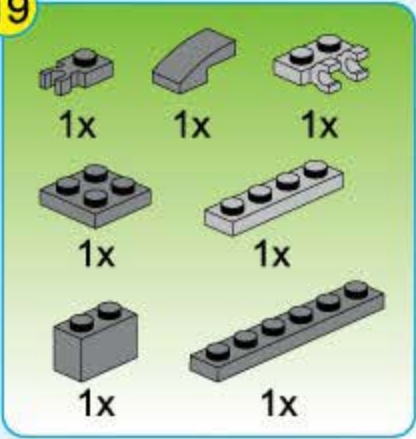
17



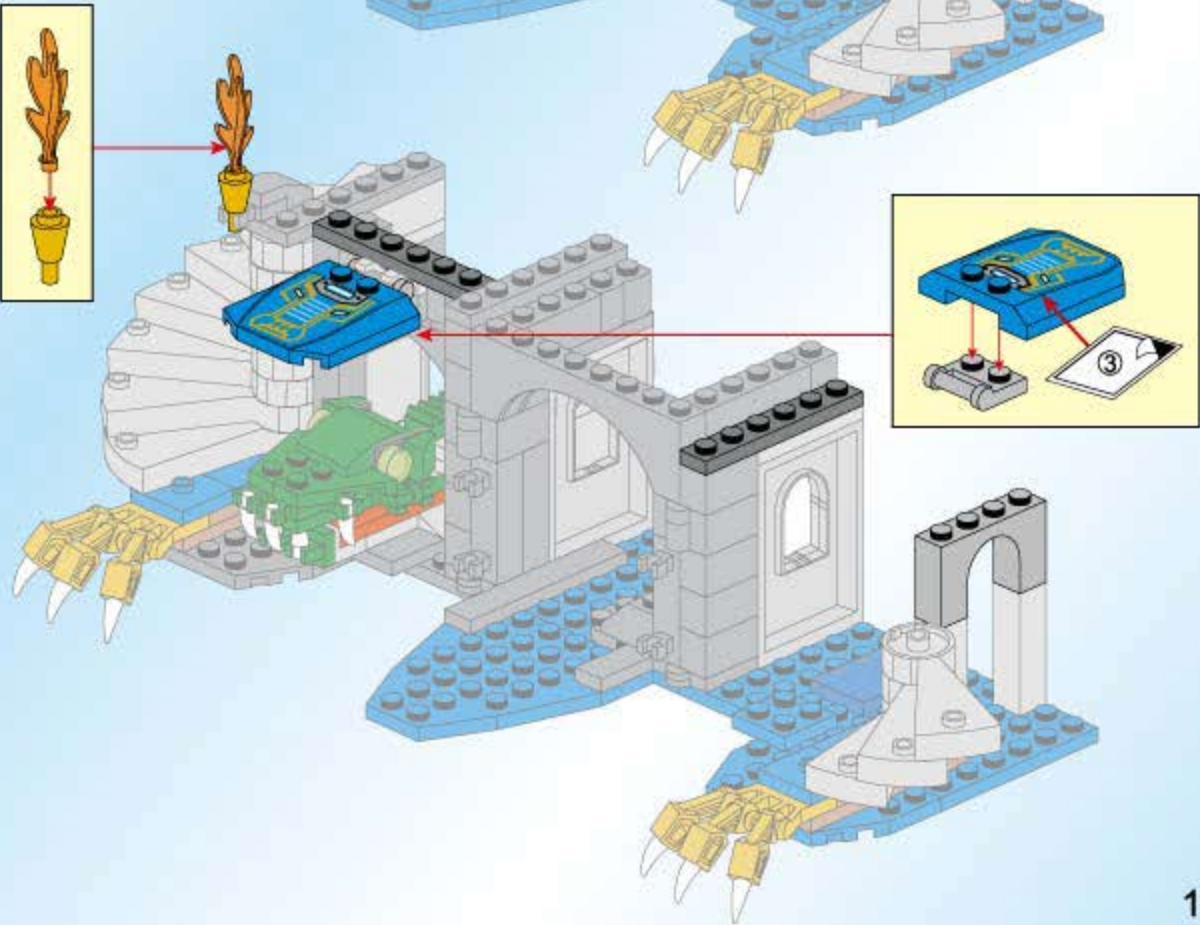
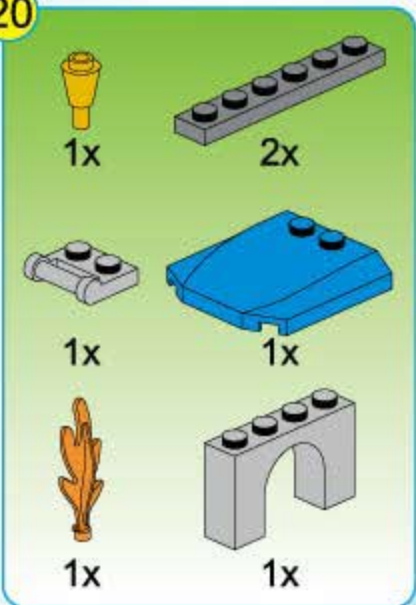
18



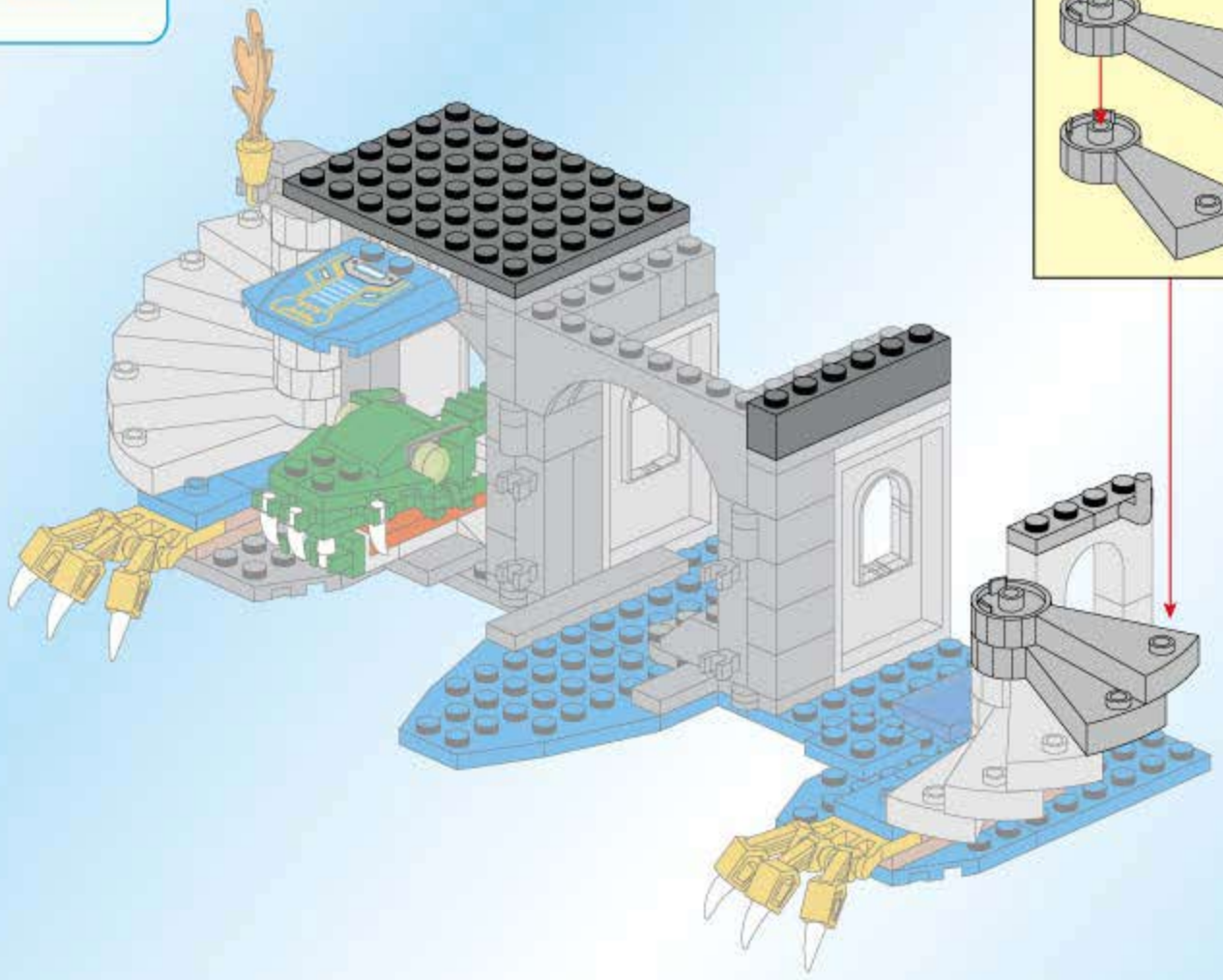
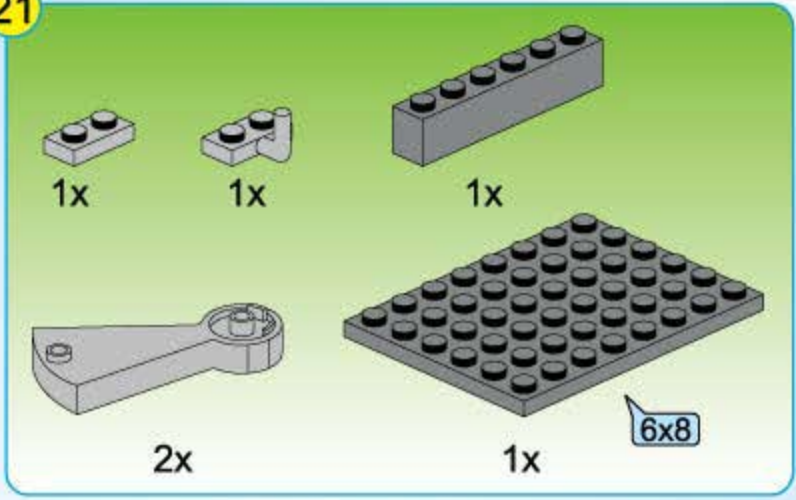
19



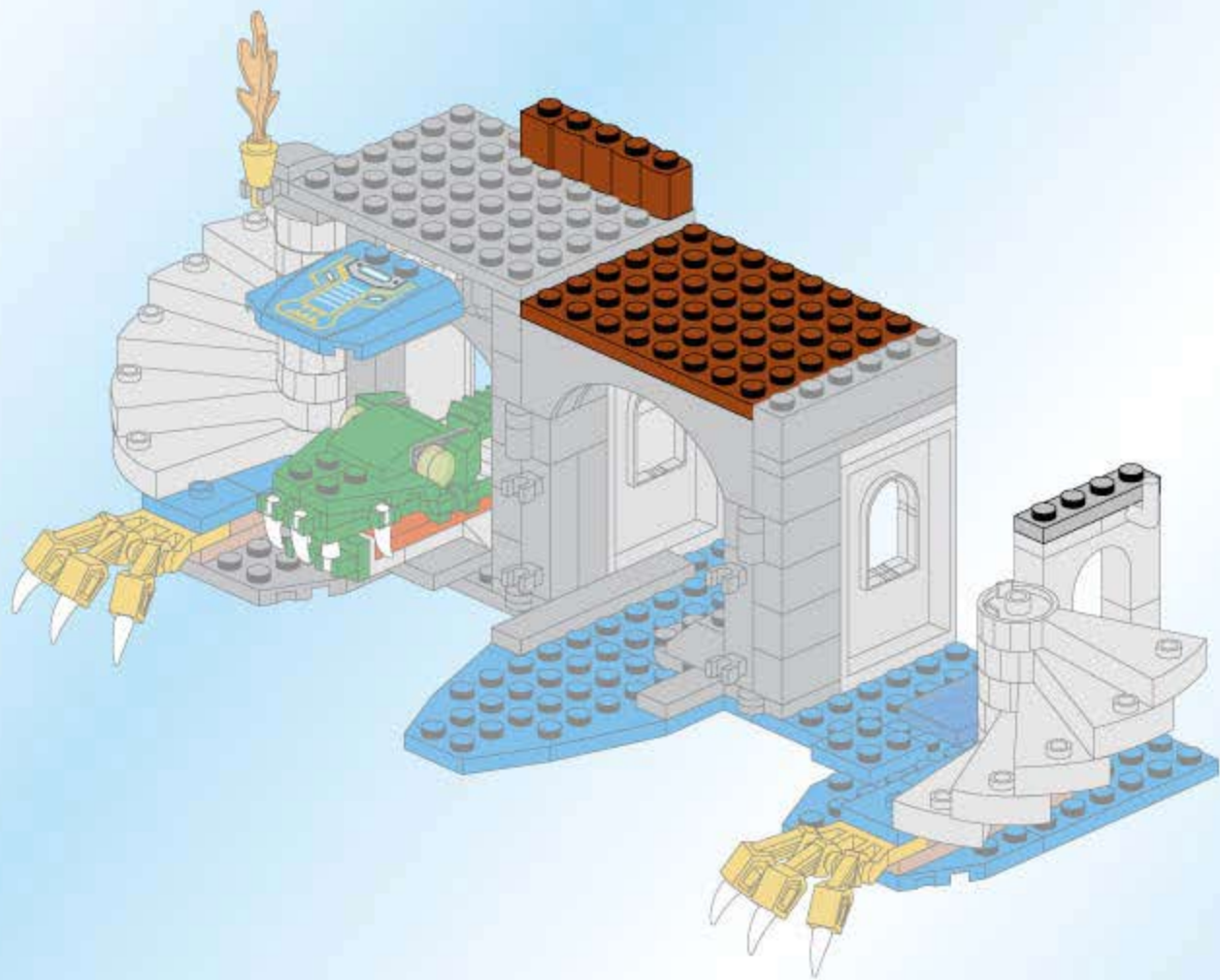
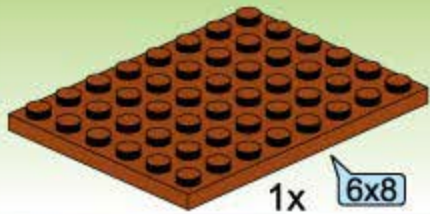
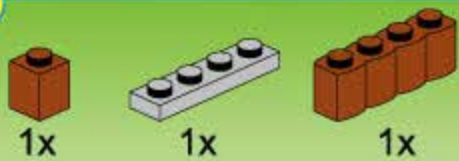
20



21



22



23



1x

1x

1x

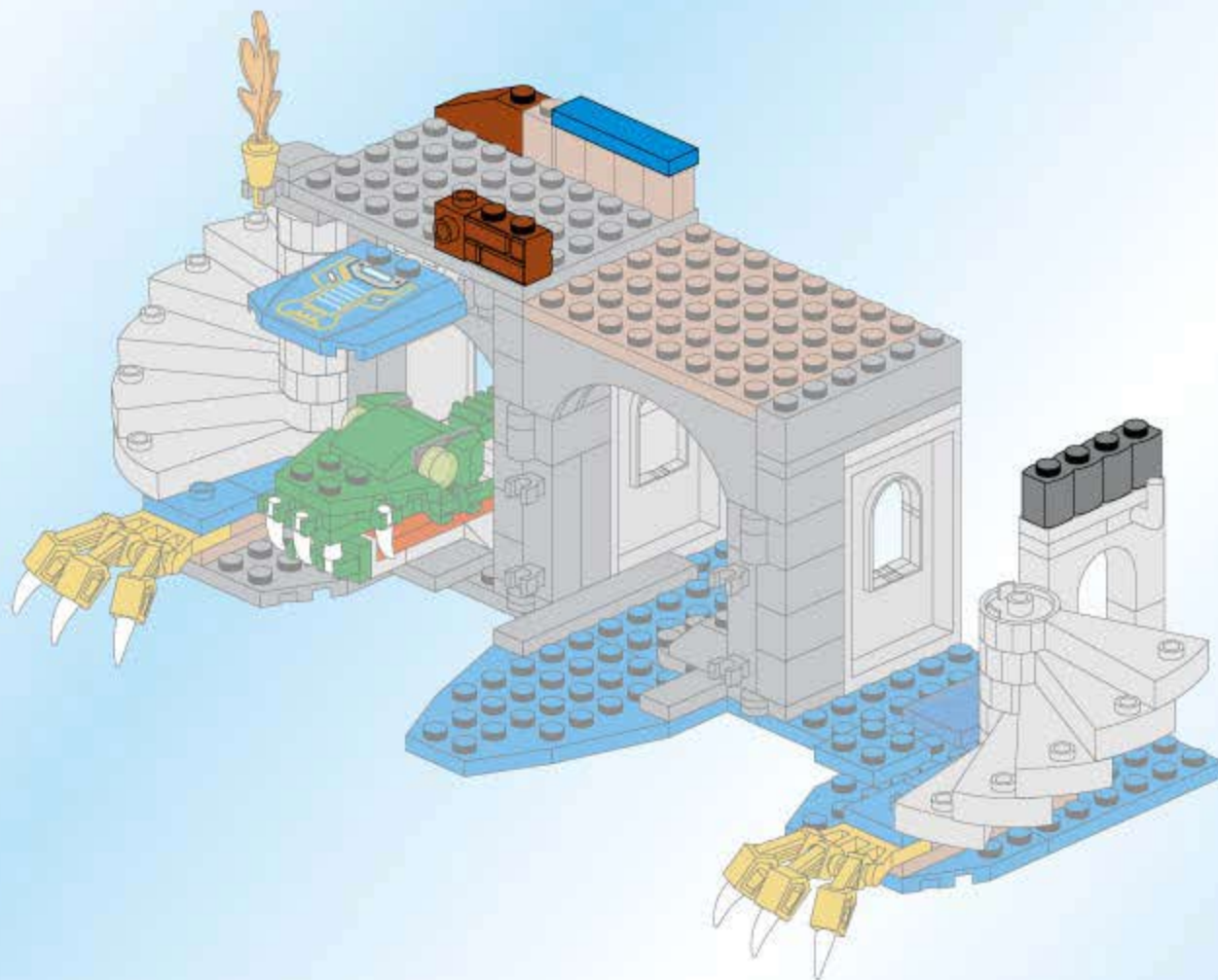


1x

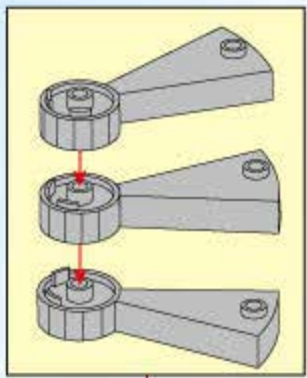
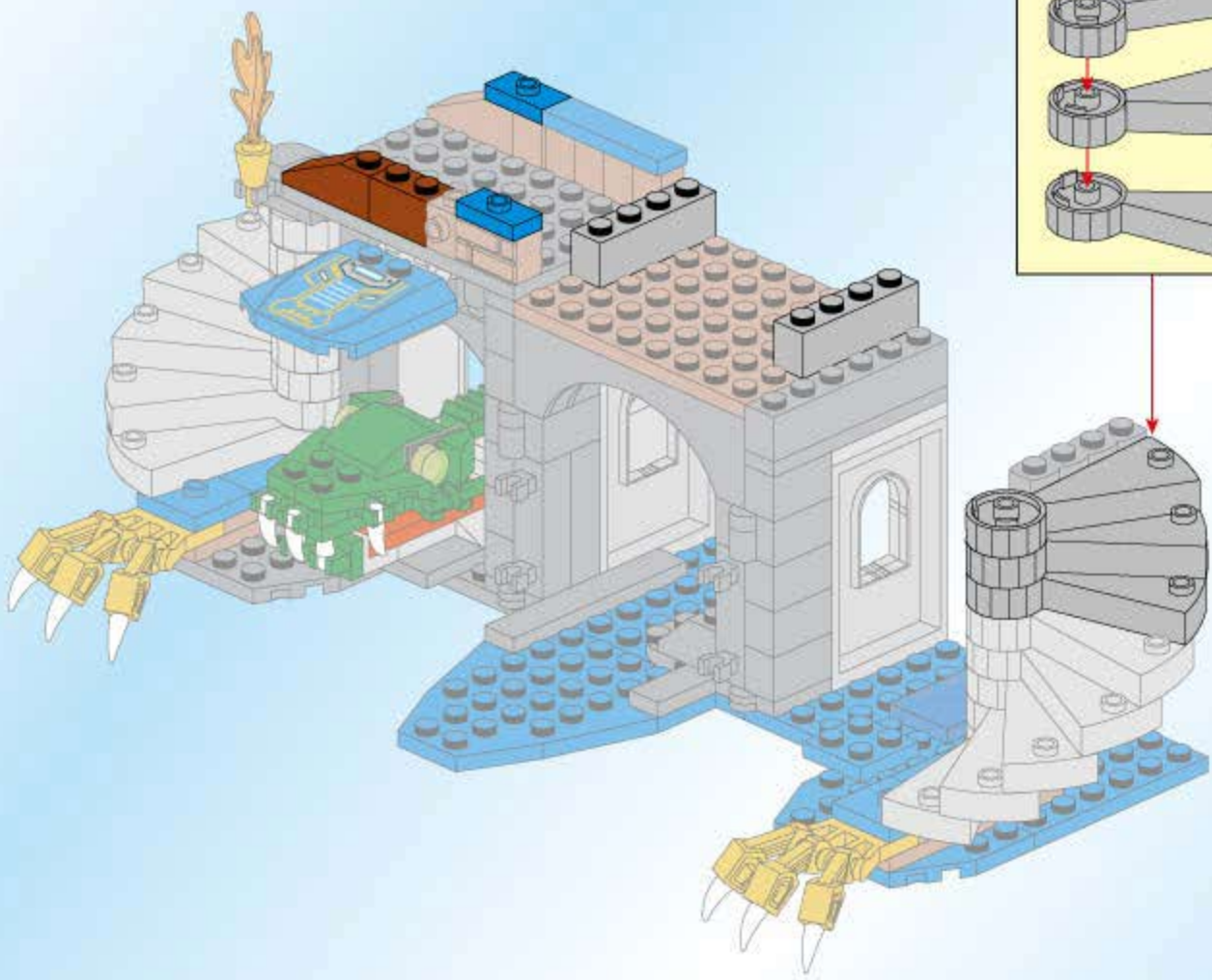
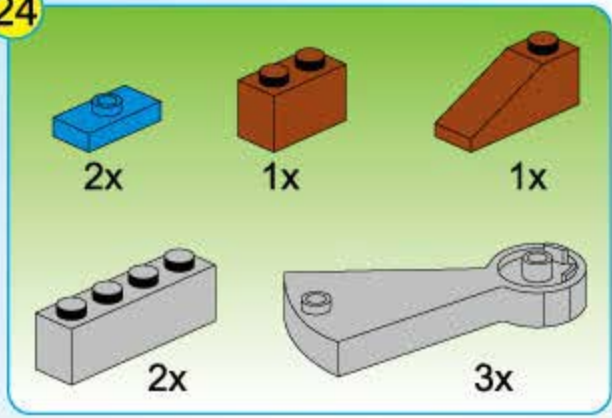
1x4



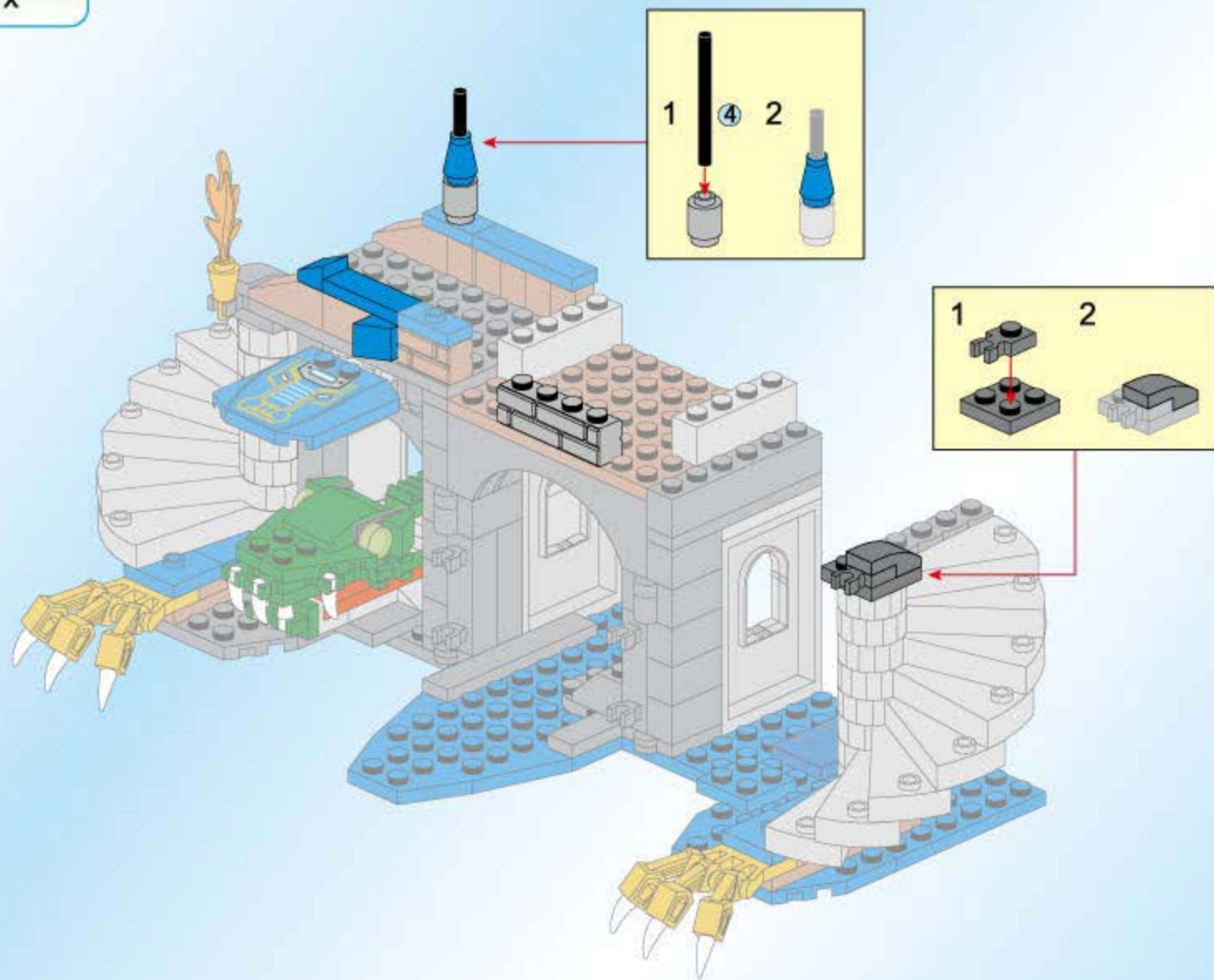
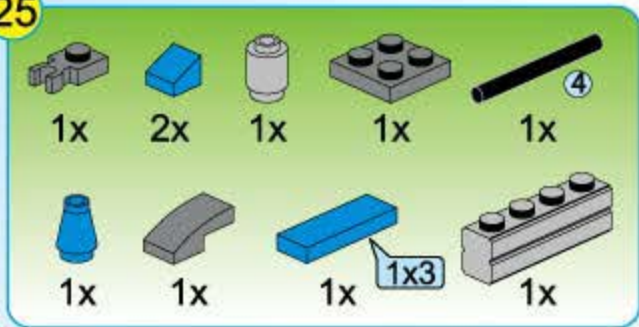
1x



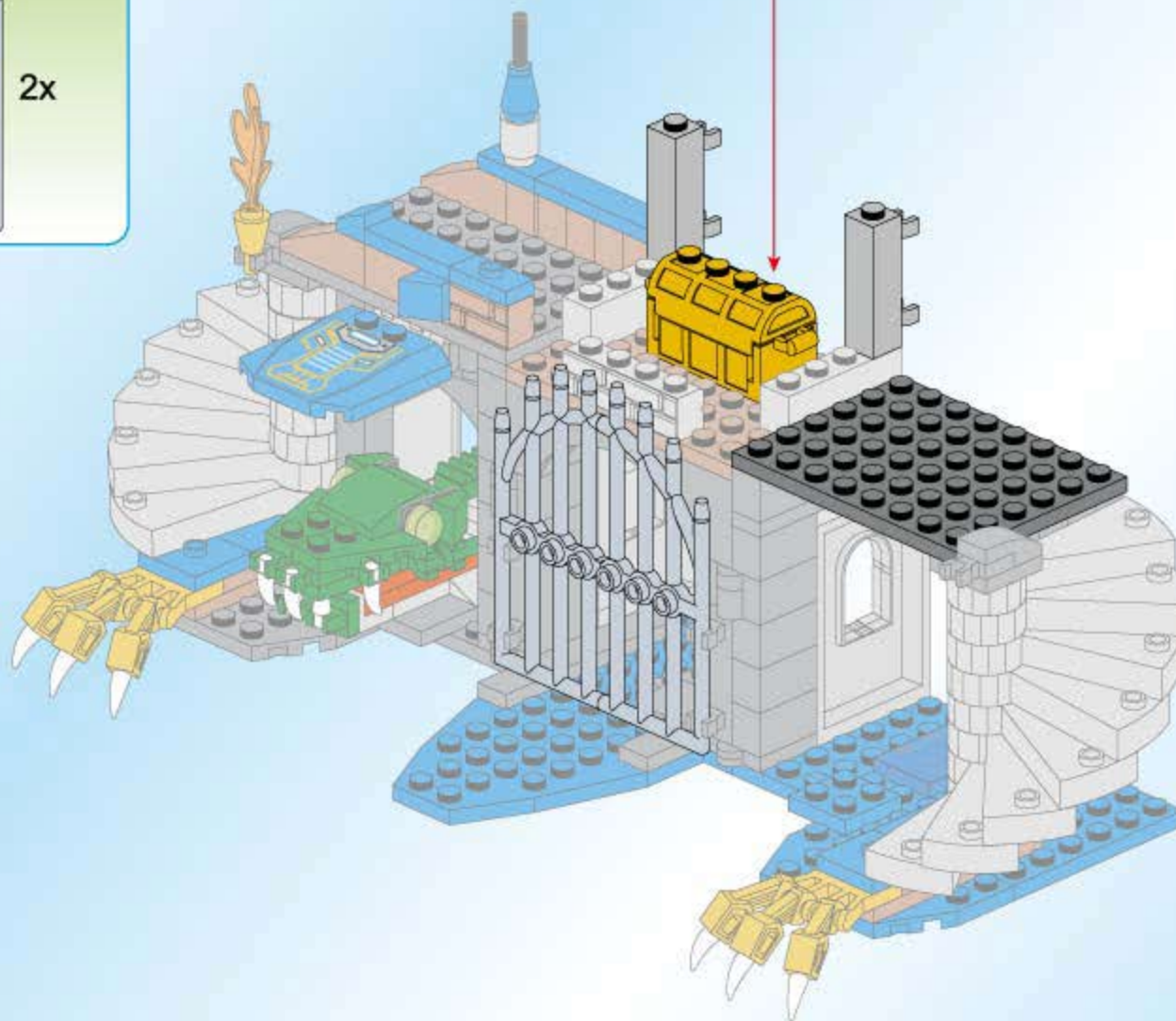
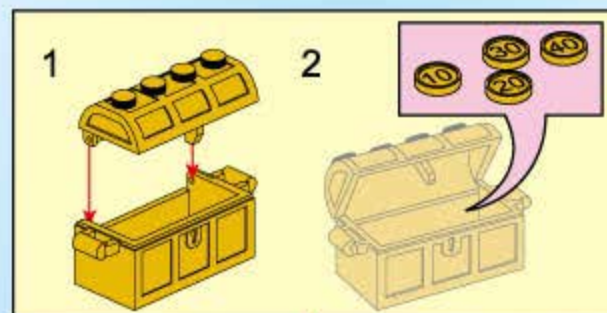
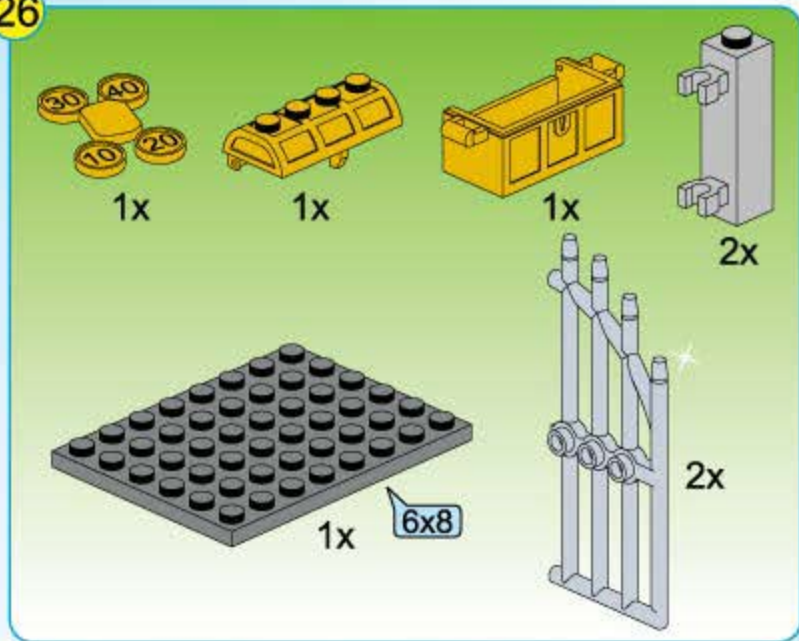
24

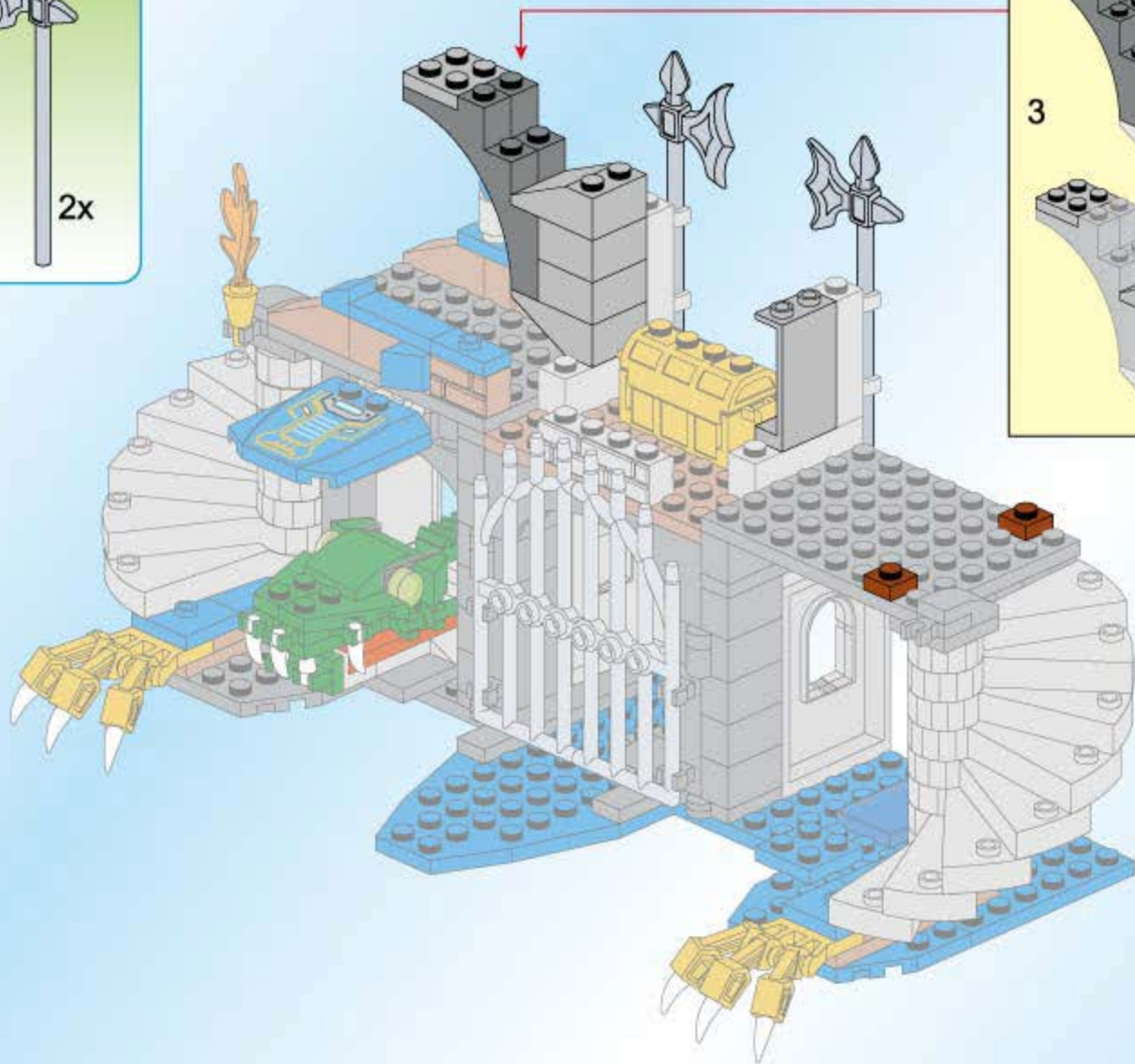
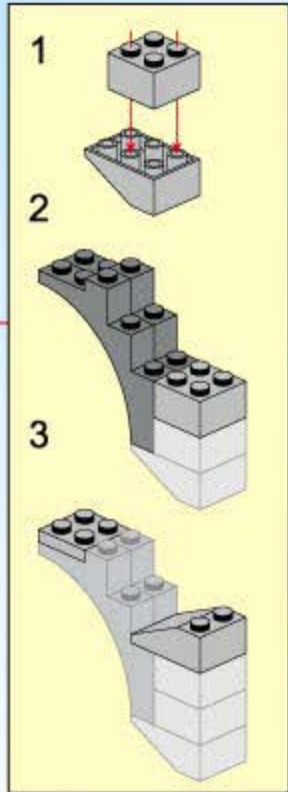
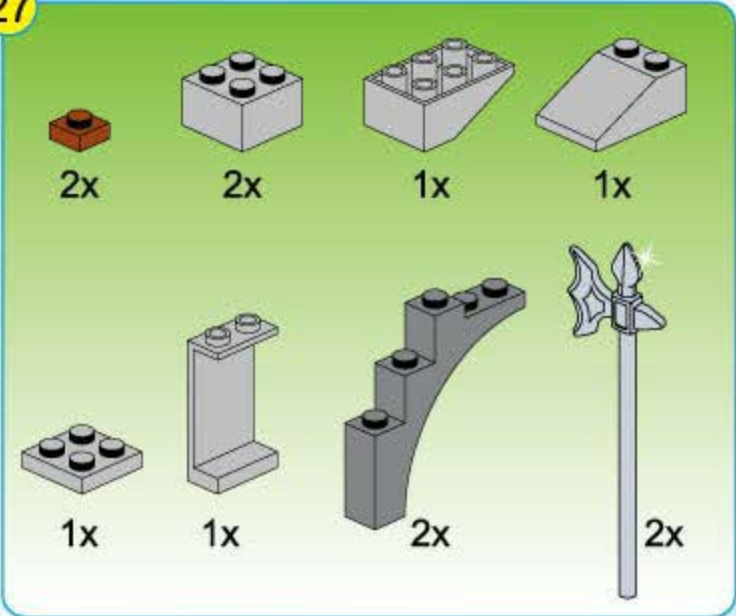


25



26

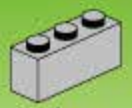




28



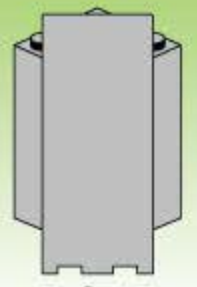
2x



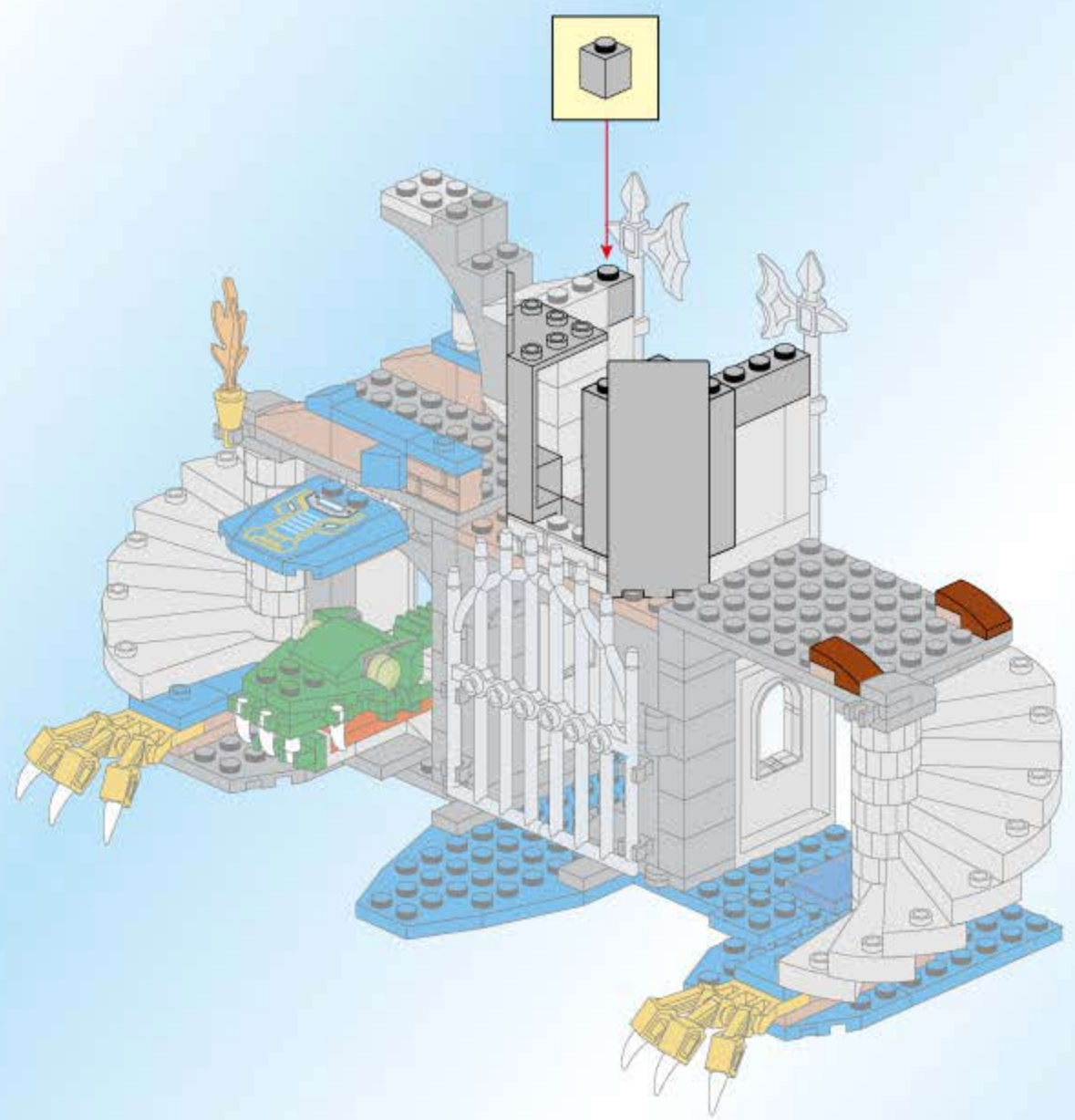
1x



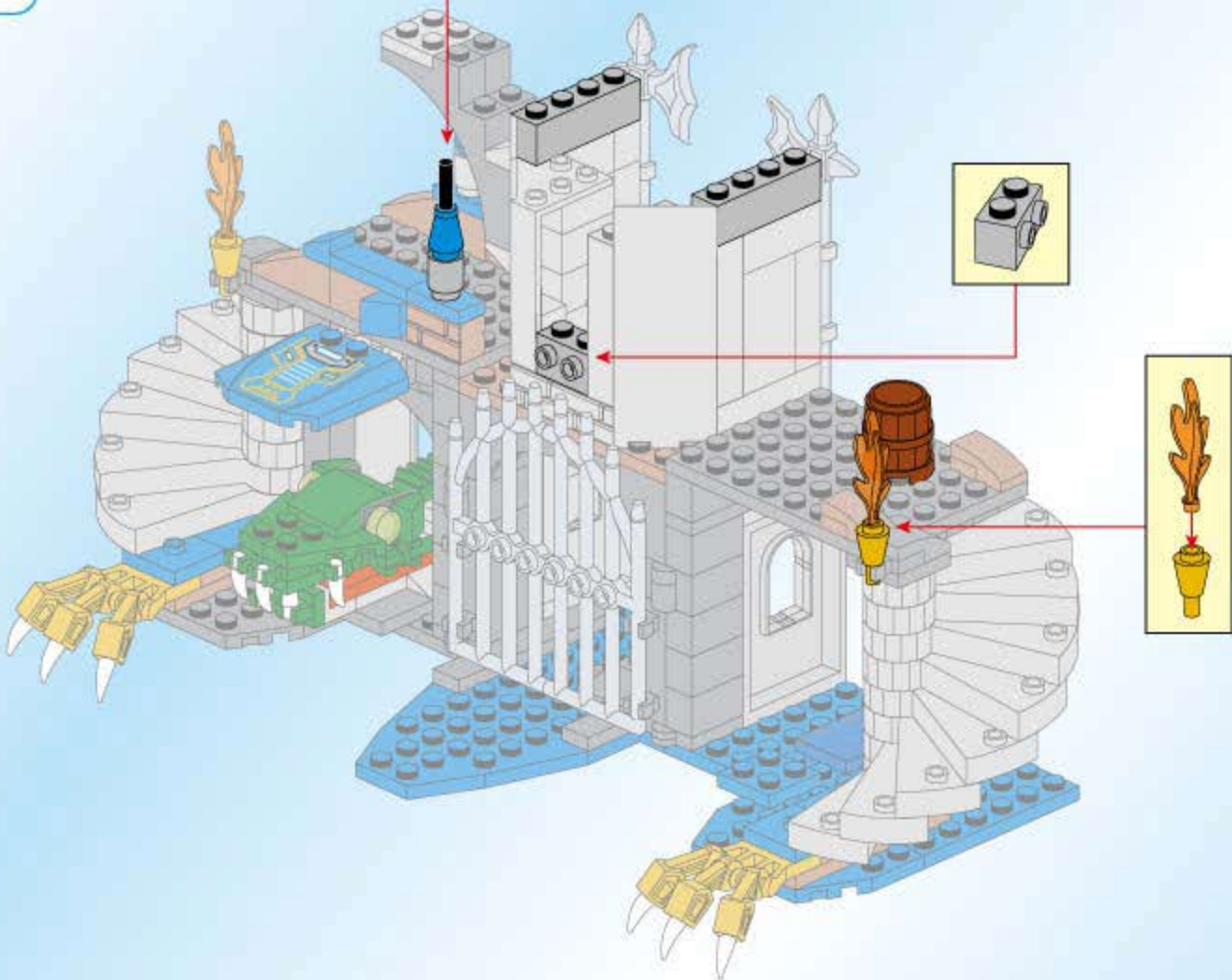
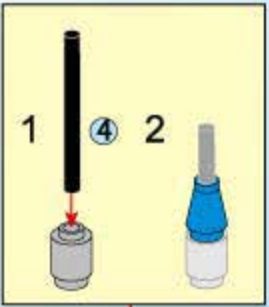
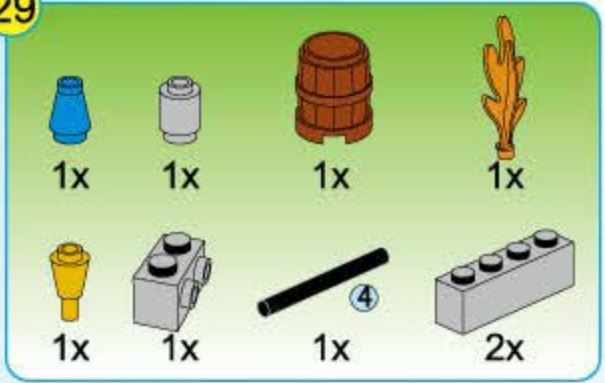
1x

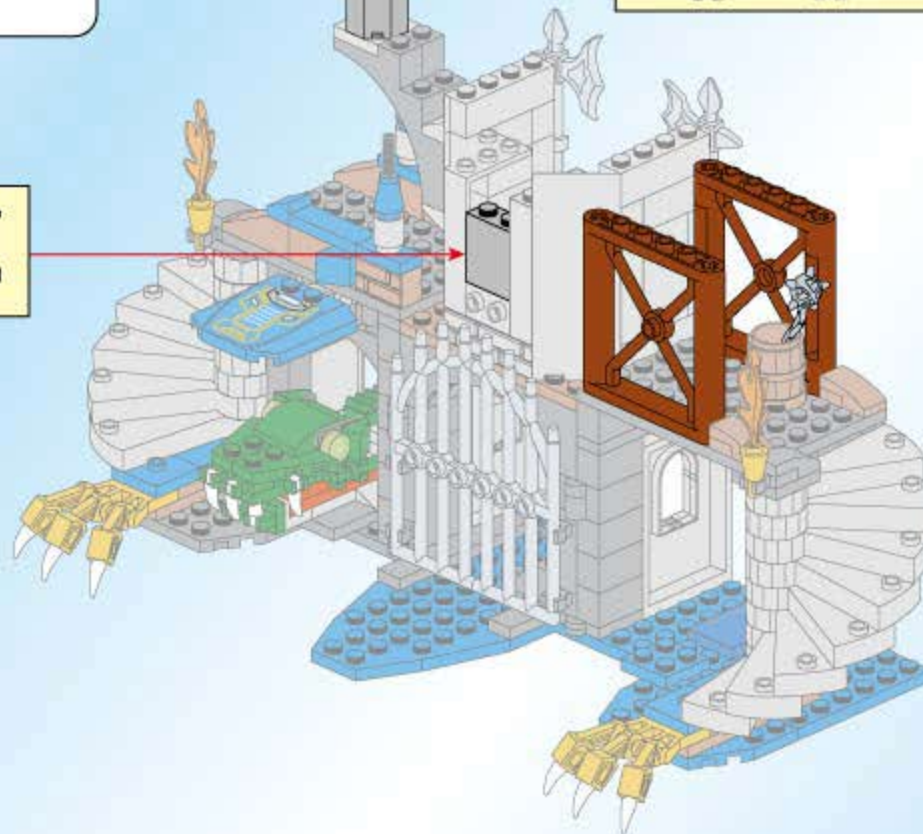
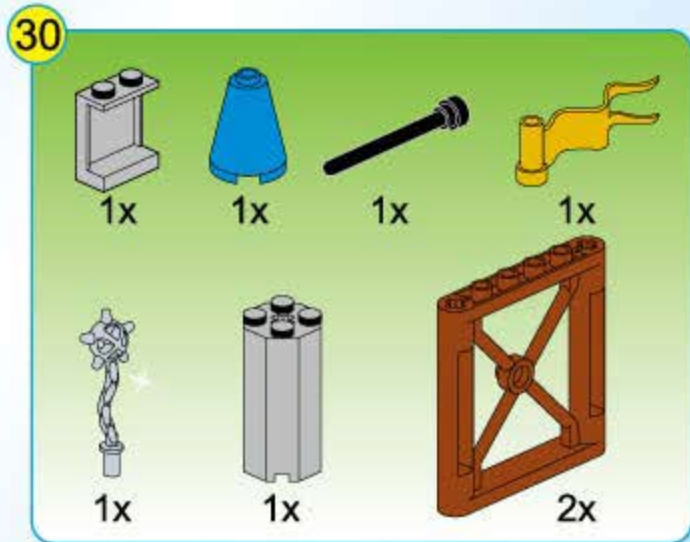
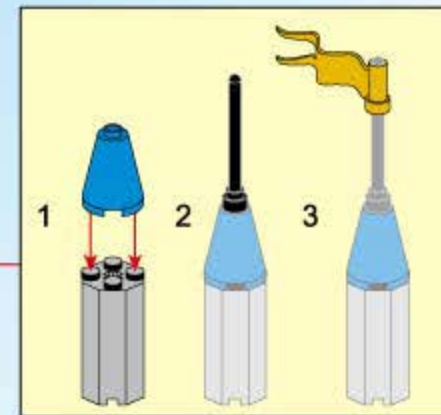


2x

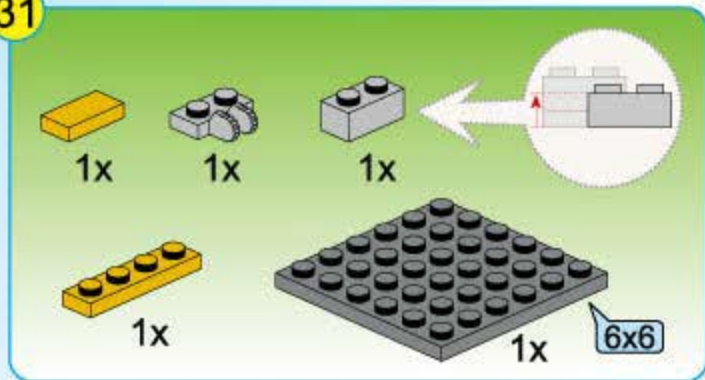


29



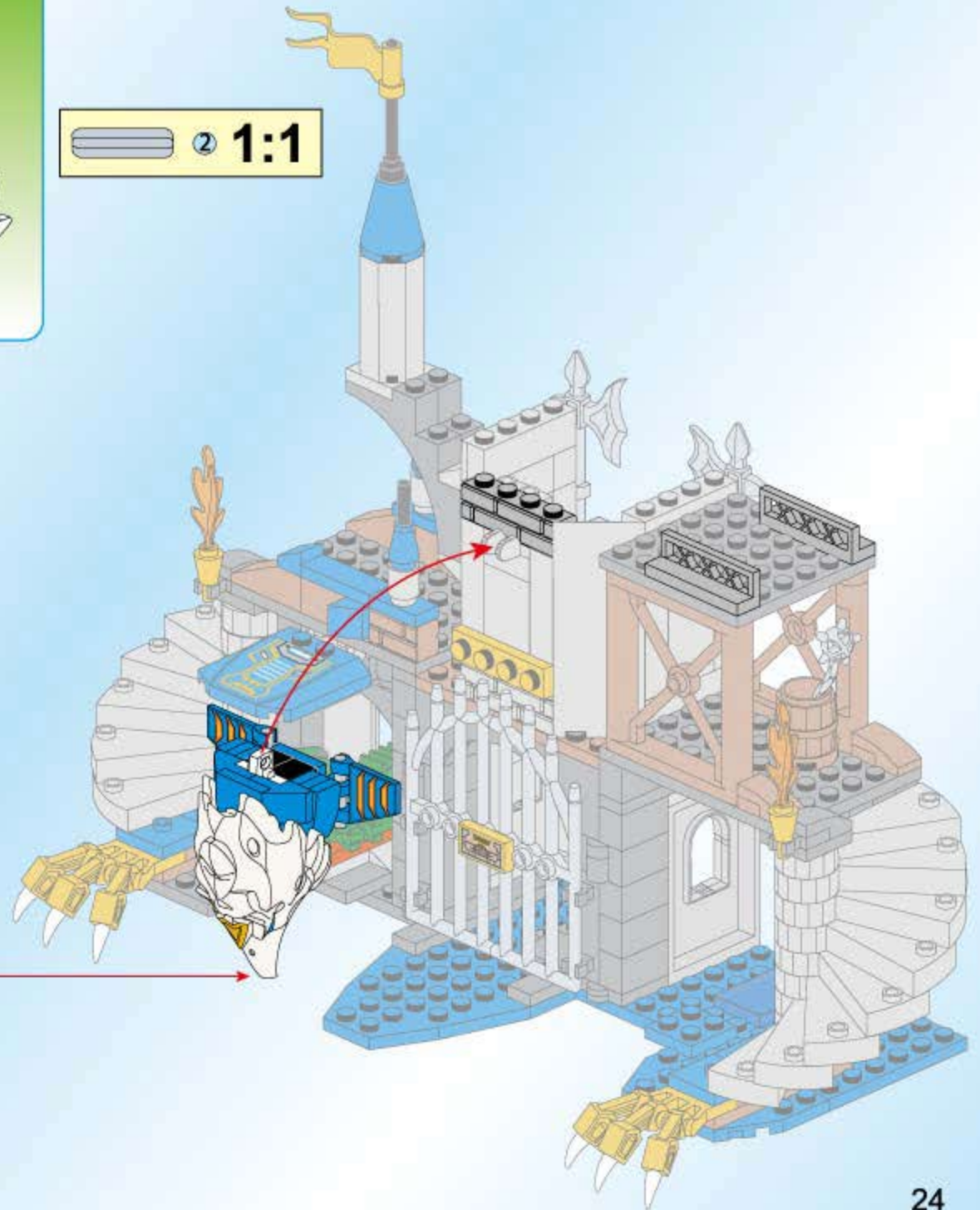
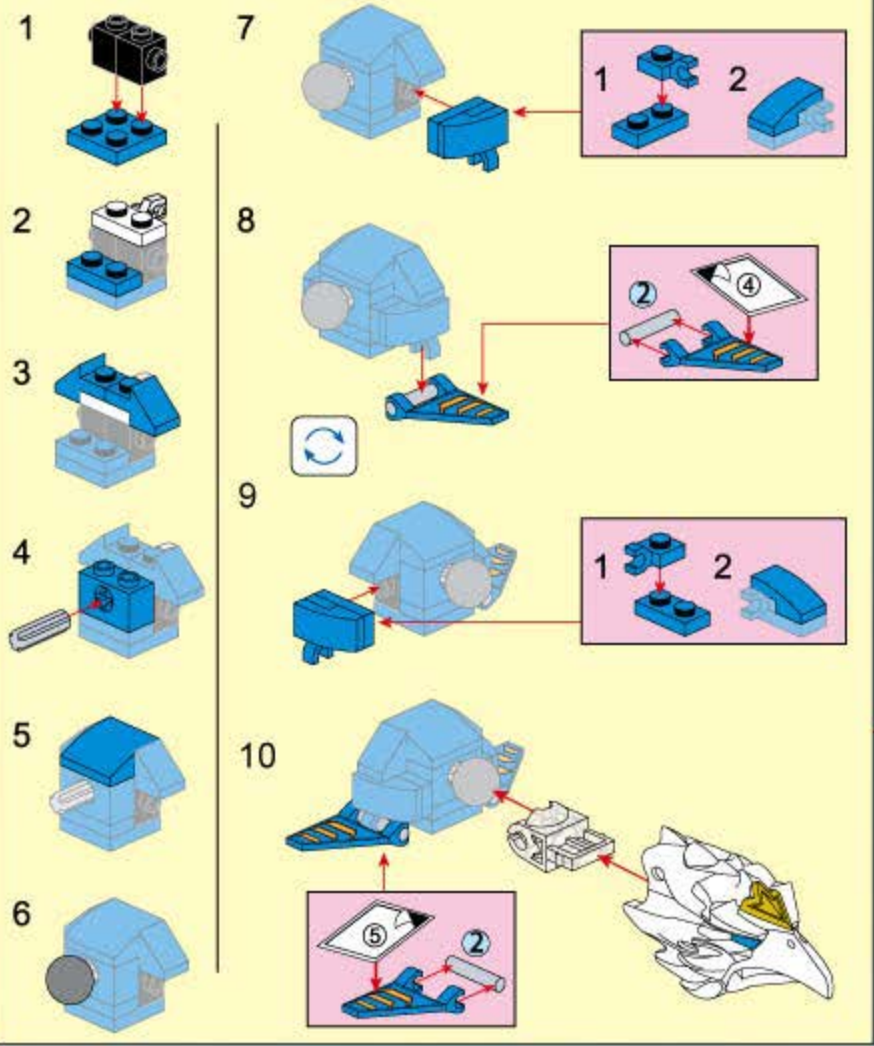


31

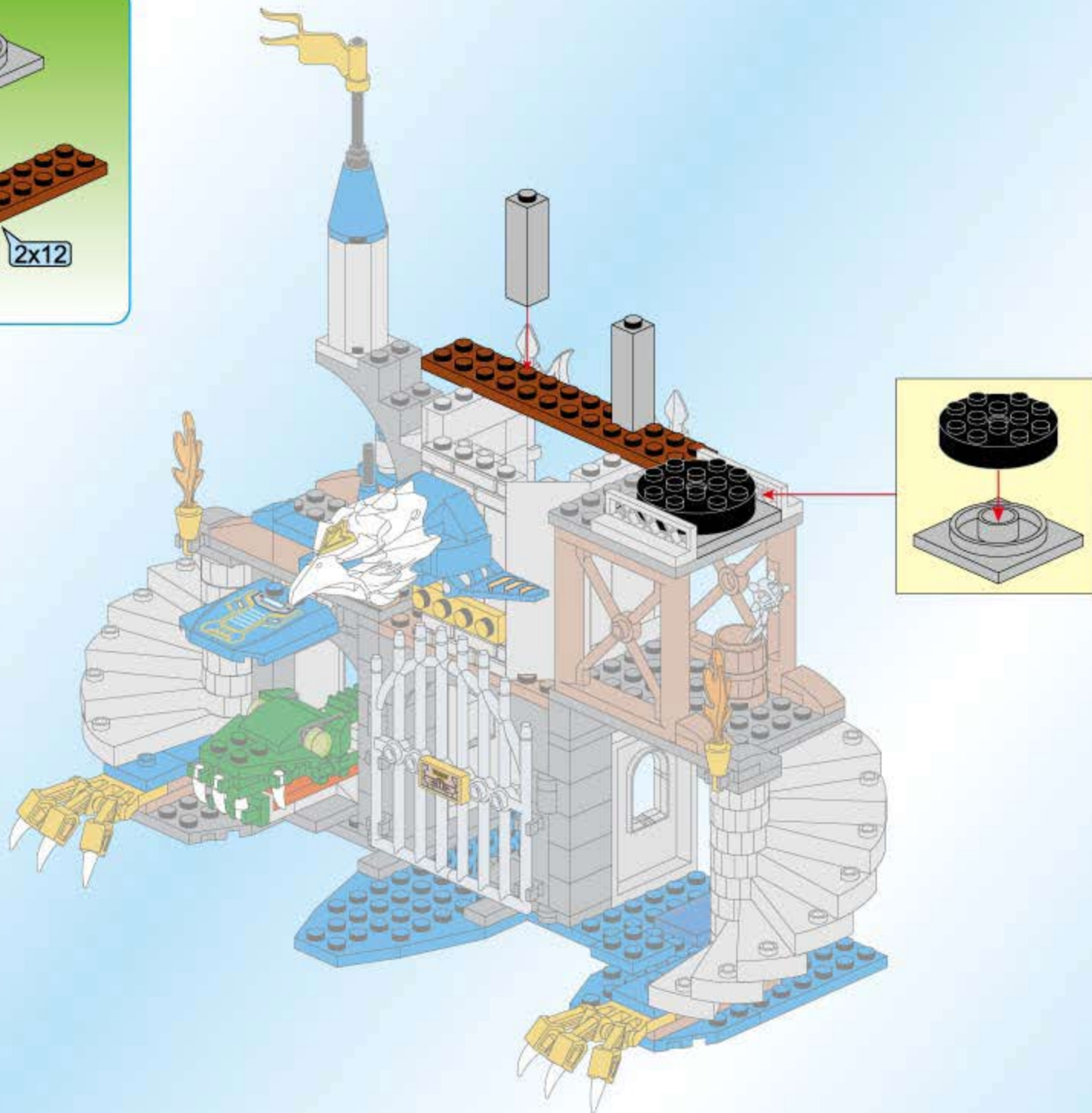
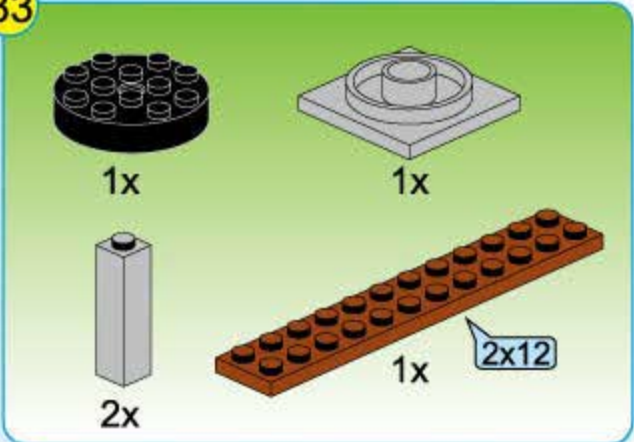


- | | | | | | |
|----|----|----|----|----|----|
| | | | | | |
| 2x | 3x | 2x | 1x | 1x | |
| | | | | | 1x |
| 2x | 2x | 2x | 1x | 2x | |
| | | | | | |
| 1x | 1x | 2x | 1x | 1x | 1x |

2 **1:1**



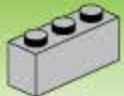
33



34



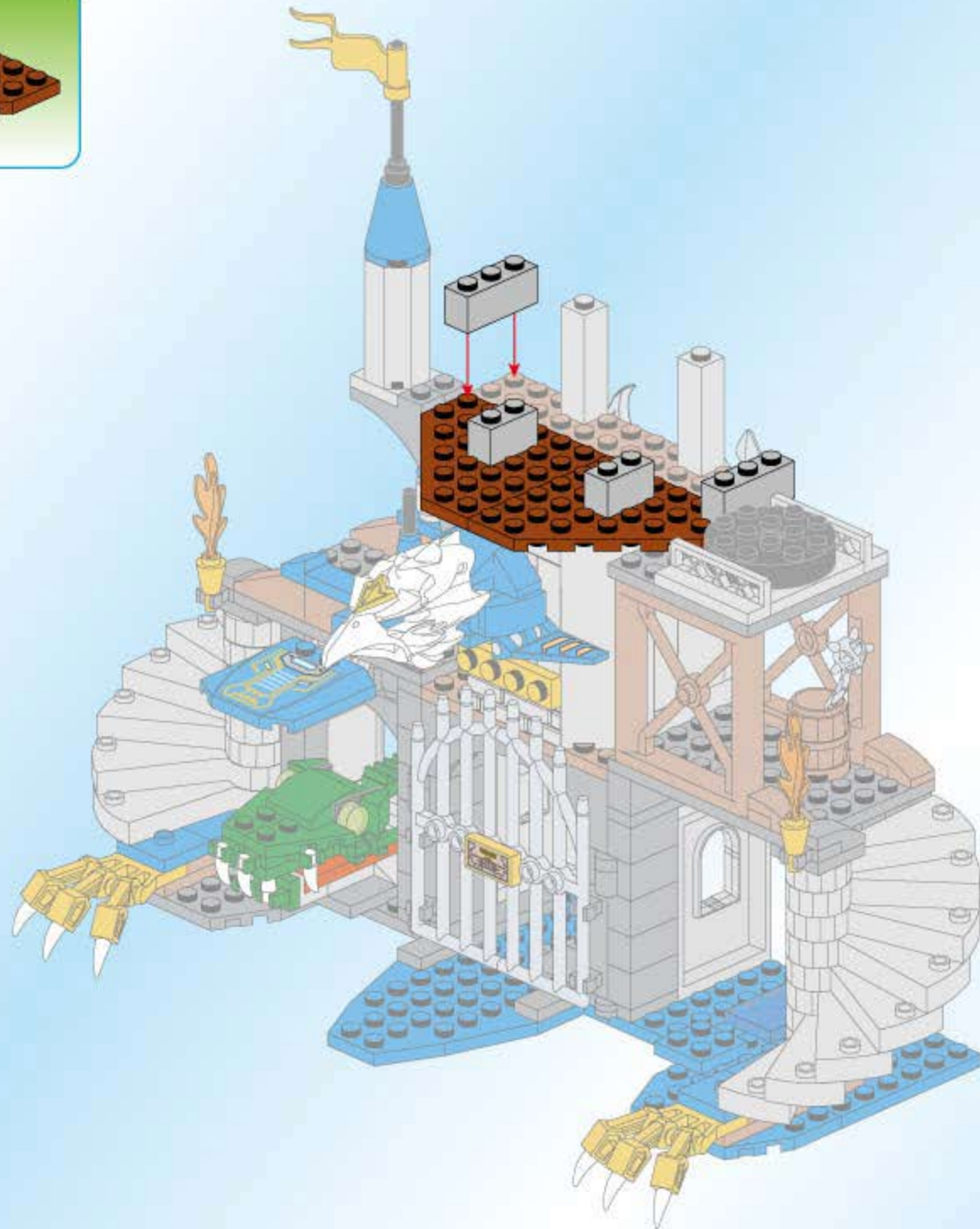
2x











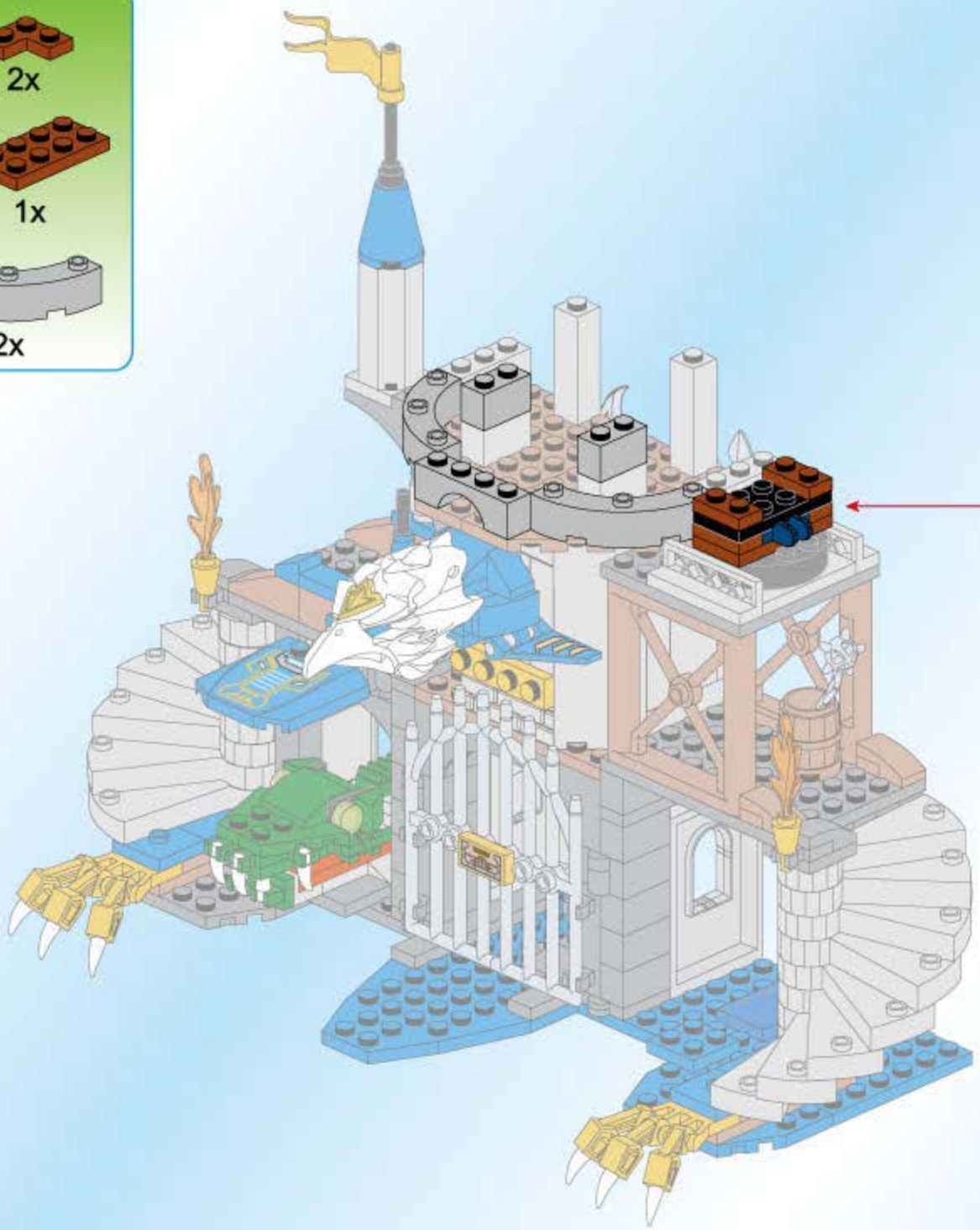
2x

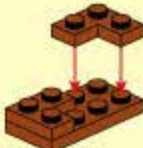




2x










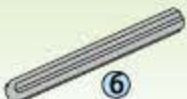


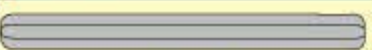
 2x	 1x	 2x
 2x	 1x	 1x
 1x	 2x	



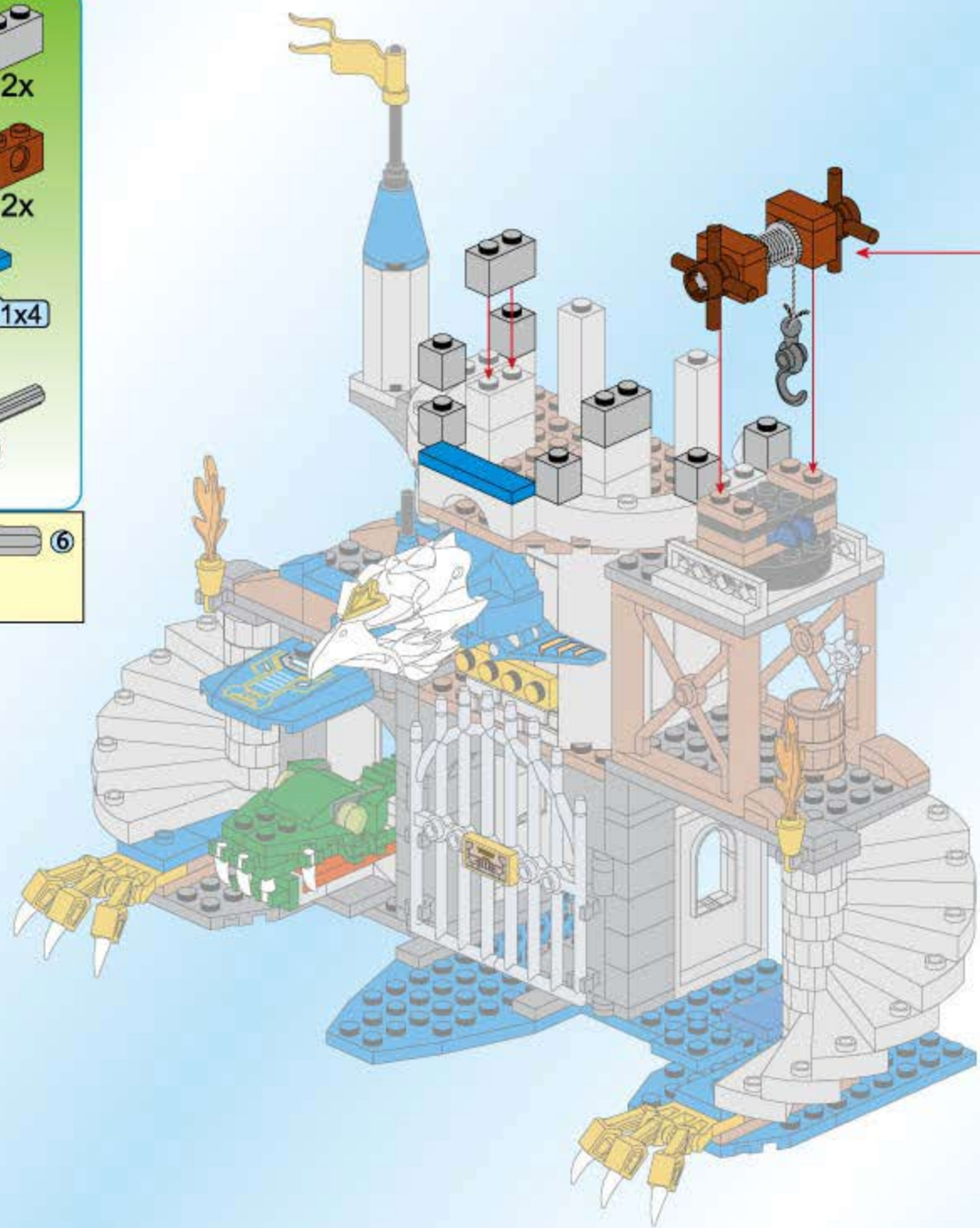
- 
- 
- 


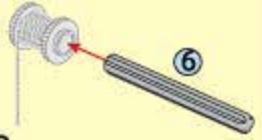


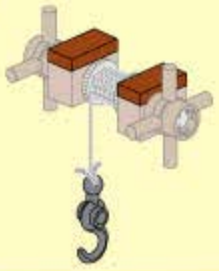
36

		
2x	6x	2x
		
1x	1x	2x
		
1x	1x	1x4
	60cm	
		
2x	1x	6

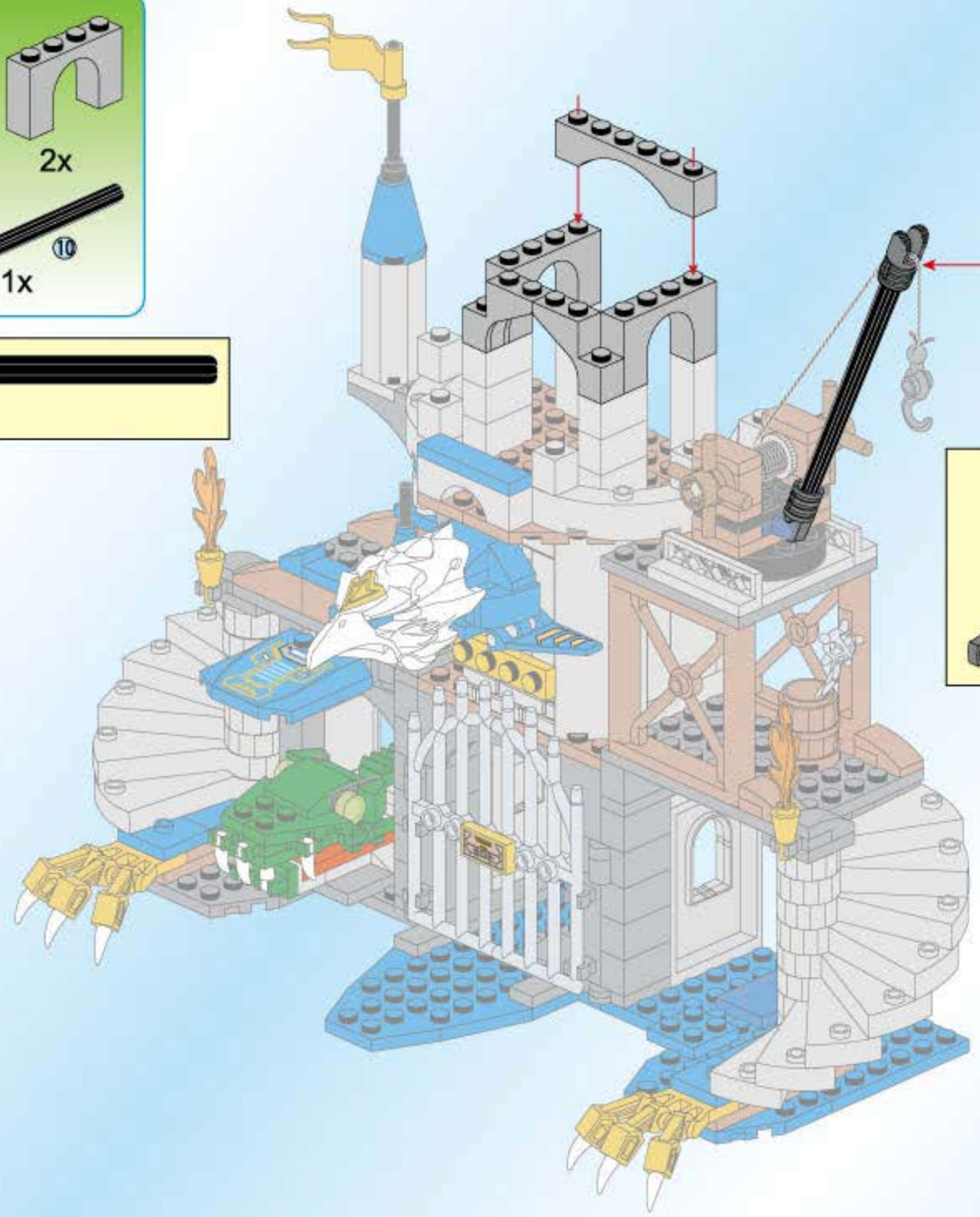
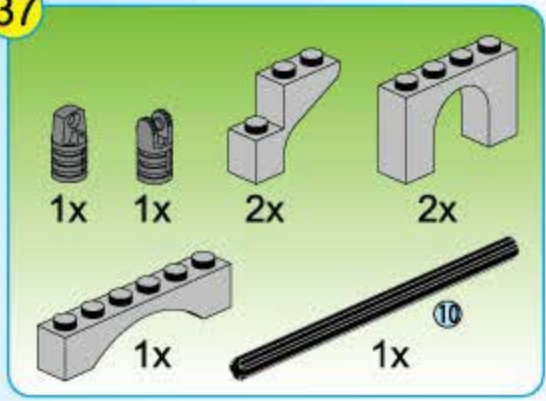
 6

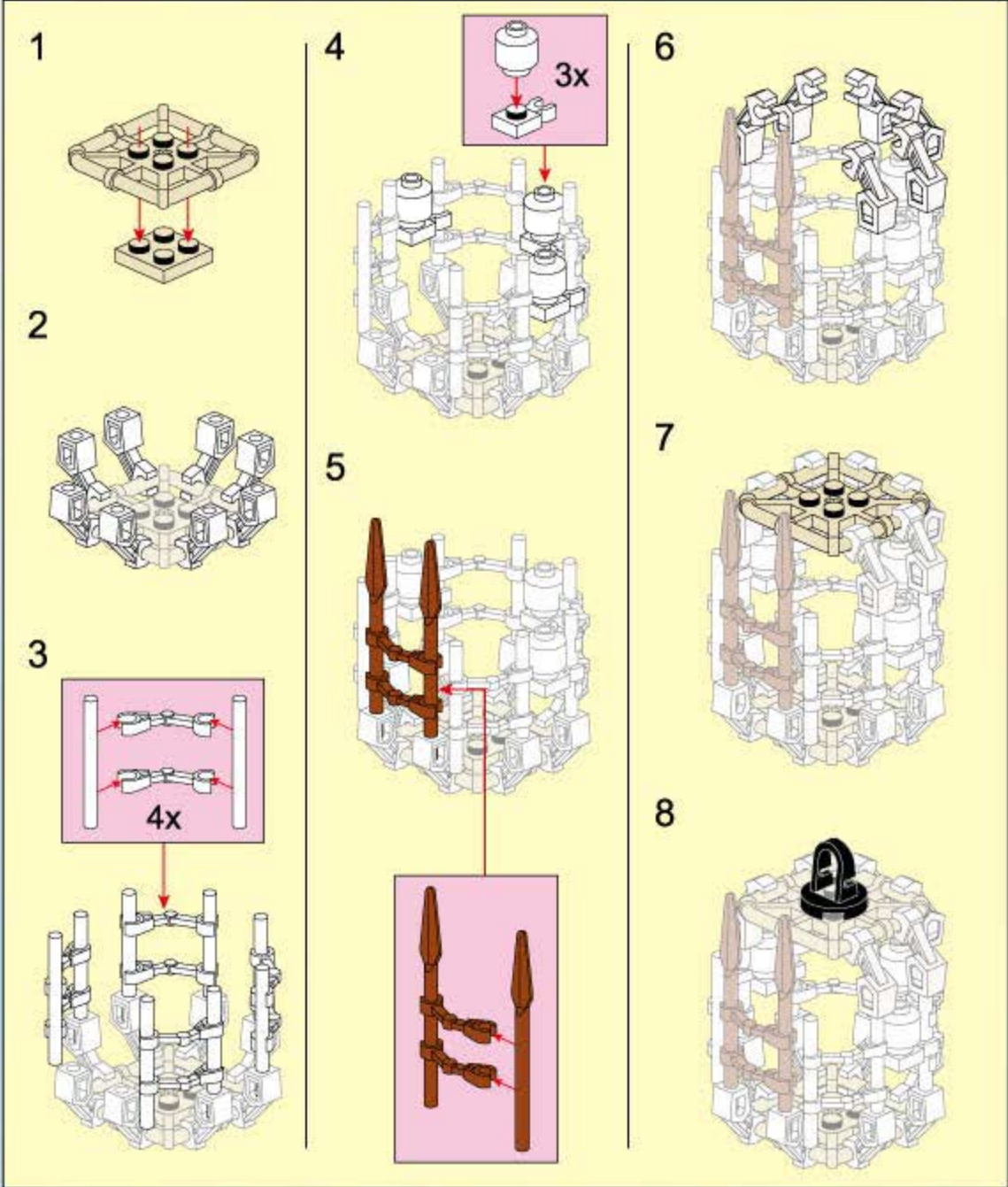
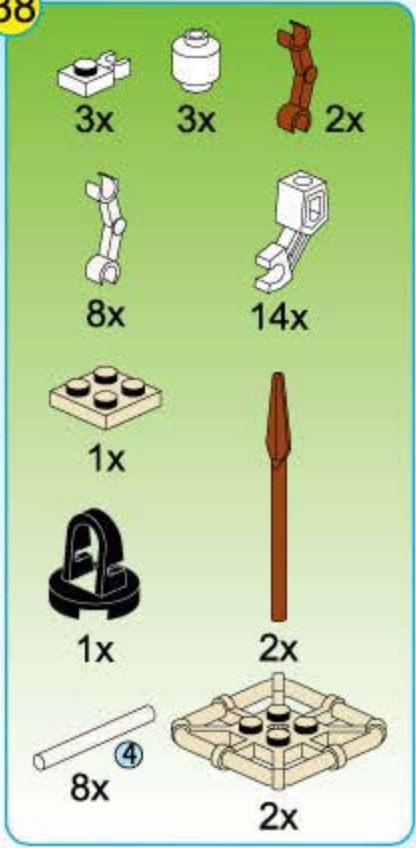
1:1



- 
- 
- 
- 
- 

37





39



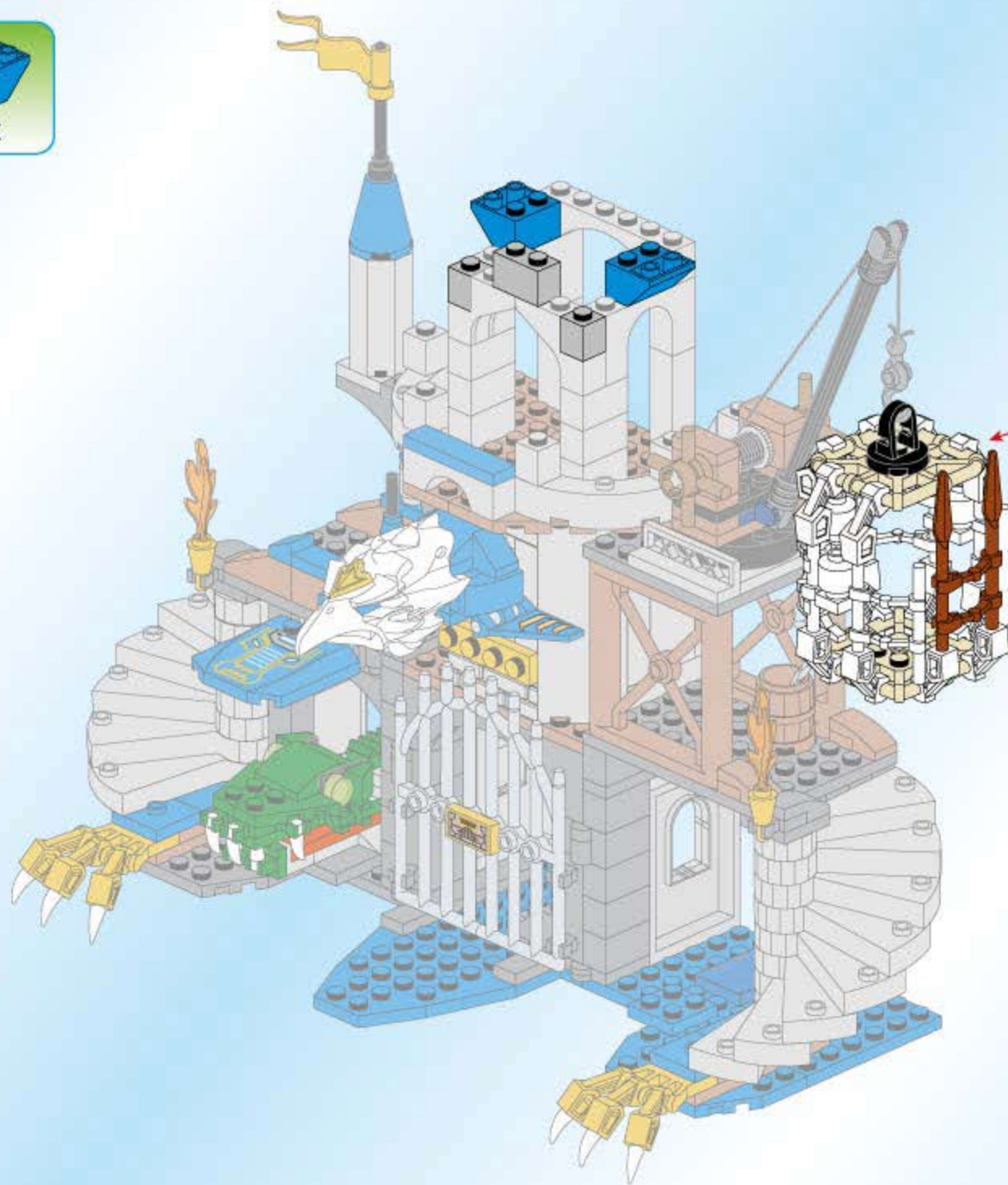
2x



1x

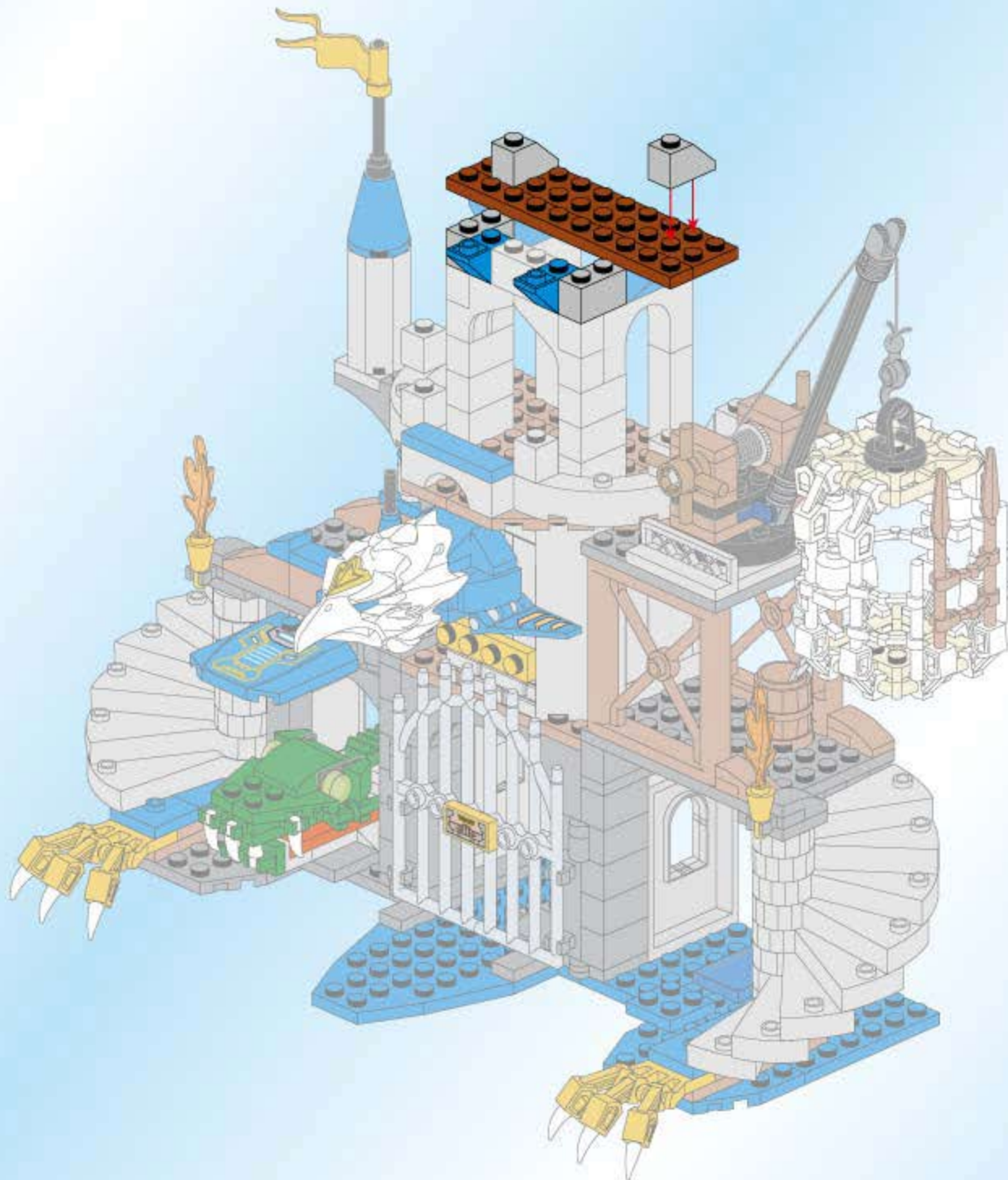
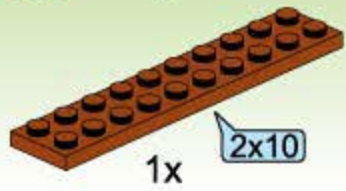
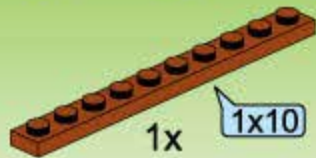


2x

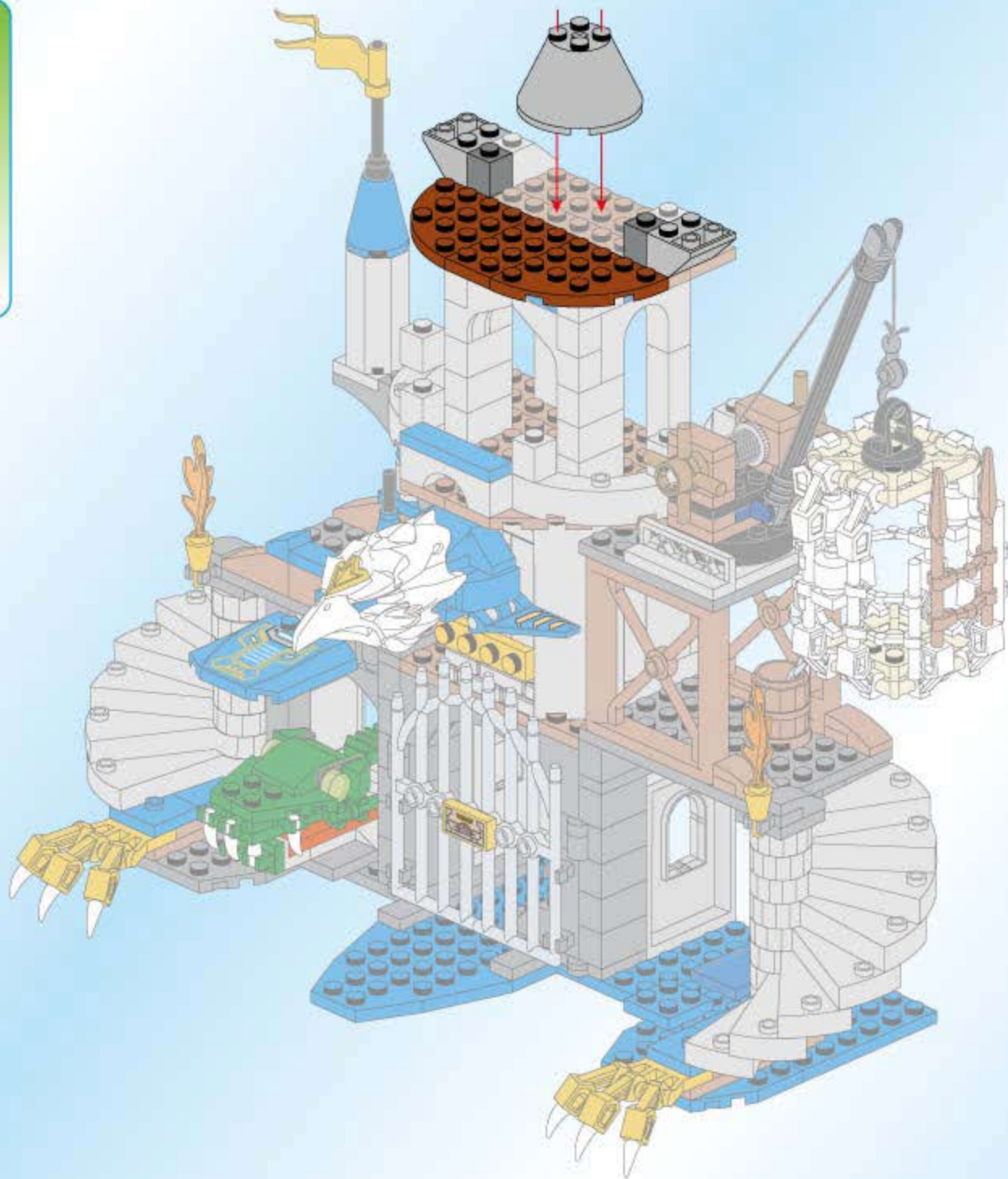
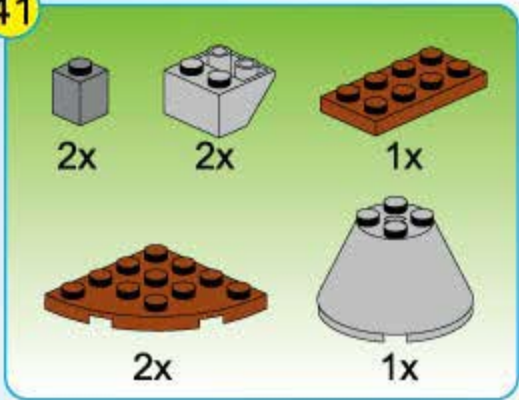


38

40



41



42



2x



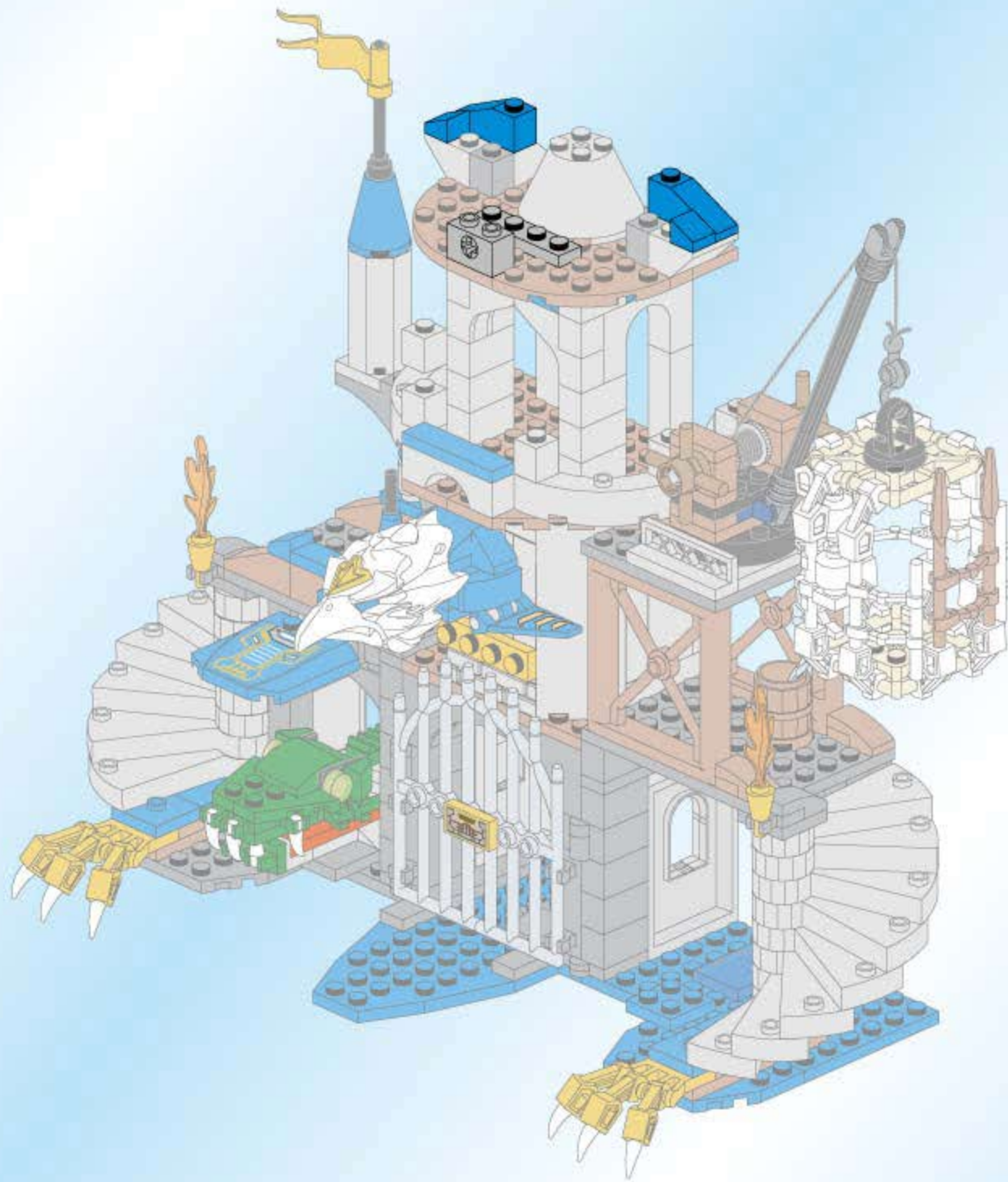
1x



1x



2x



44



2x



6x



2x



1x



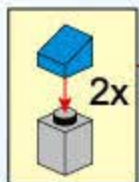
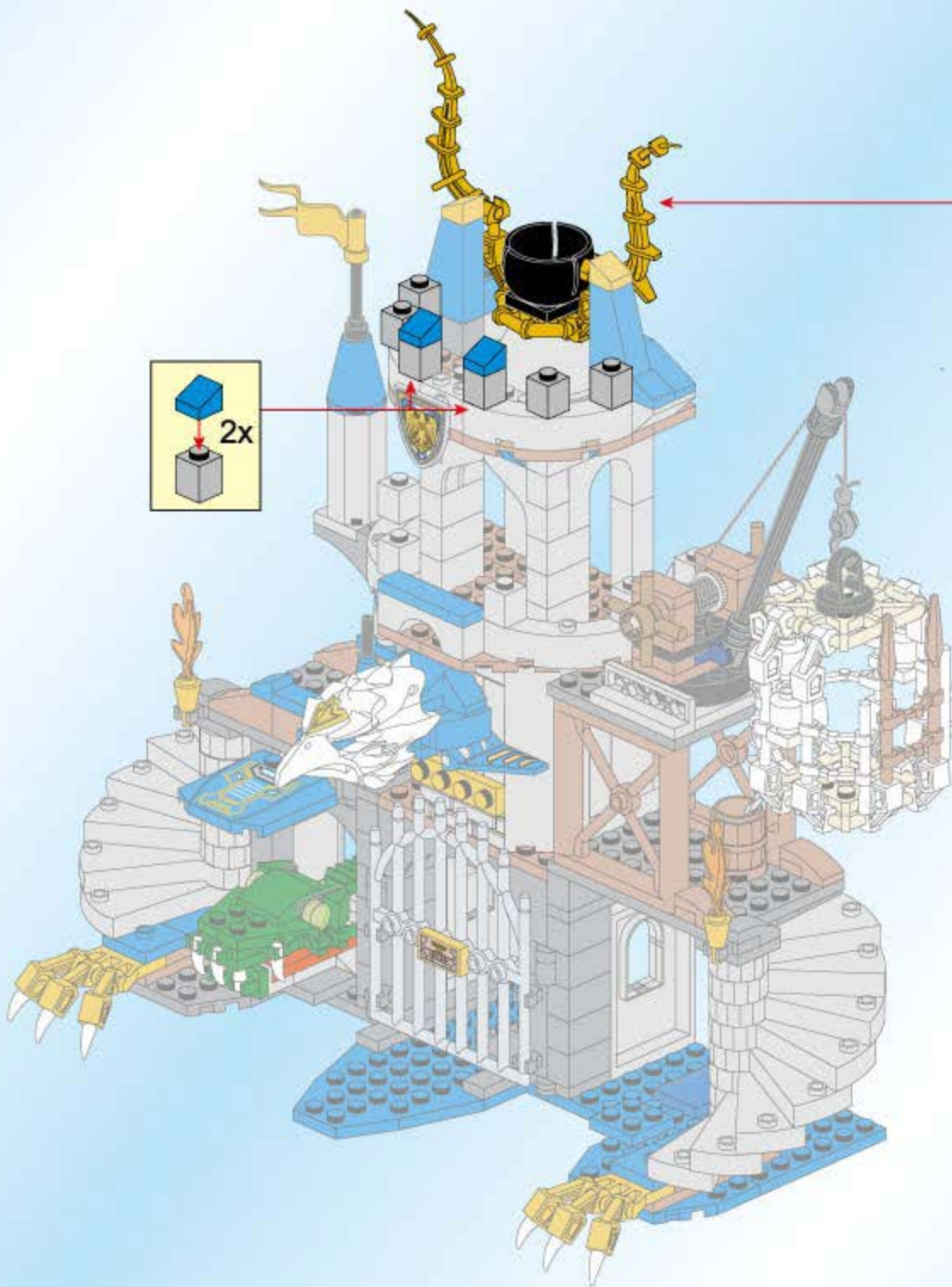
2x



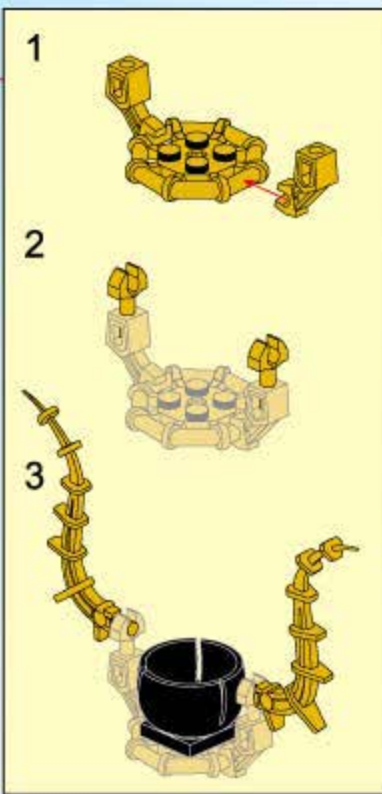
1x



2x



2x



1

2

3

45



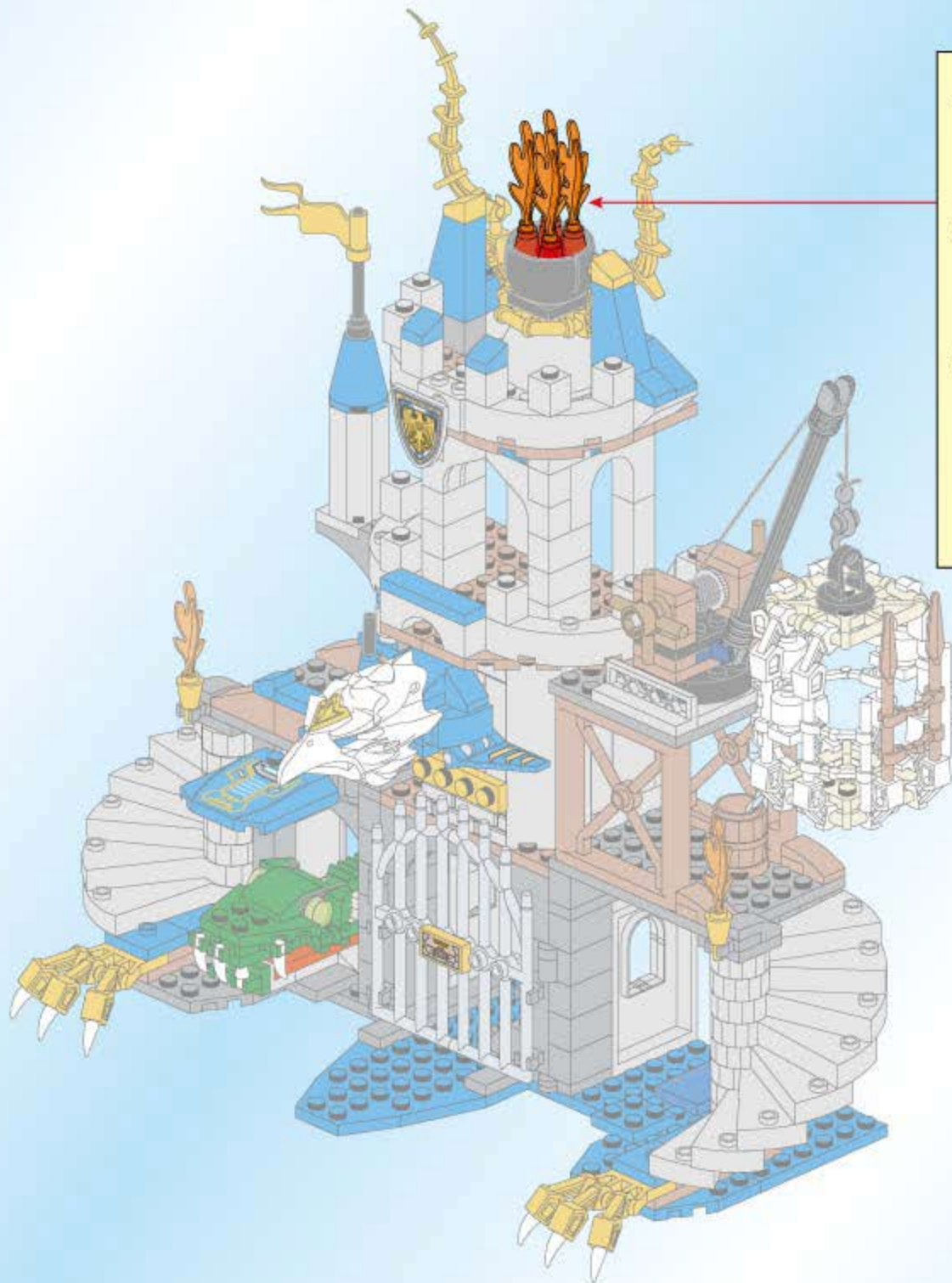
4x



1x



4x



1

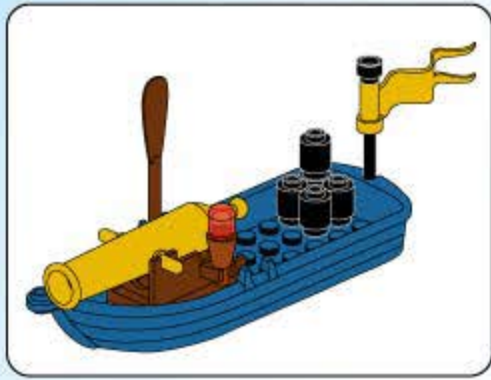


2

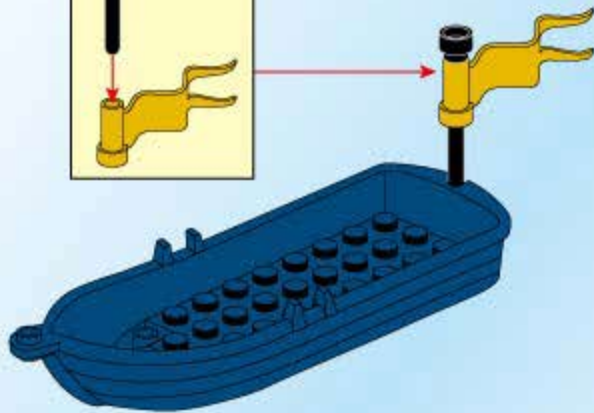
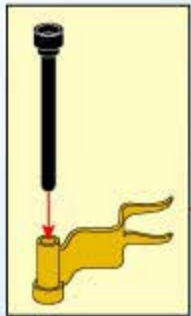
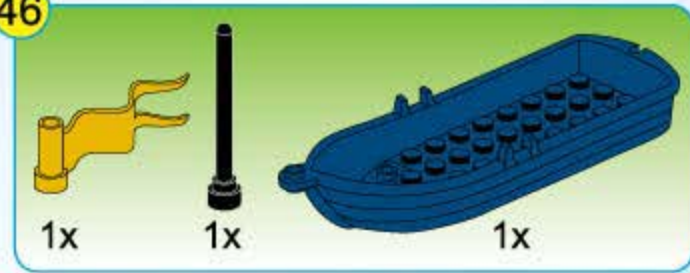


3

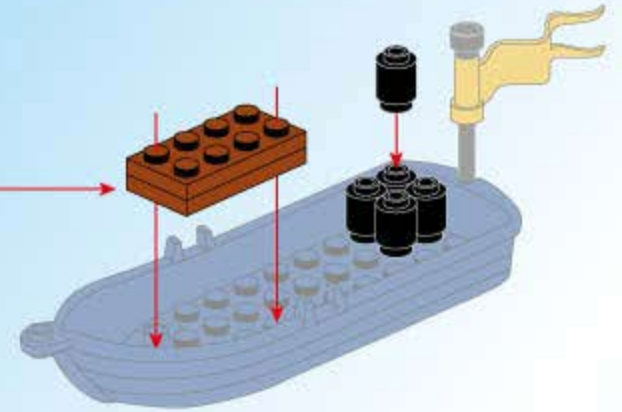
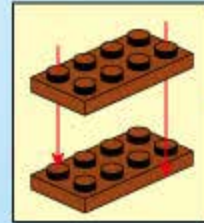
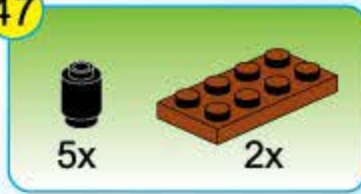




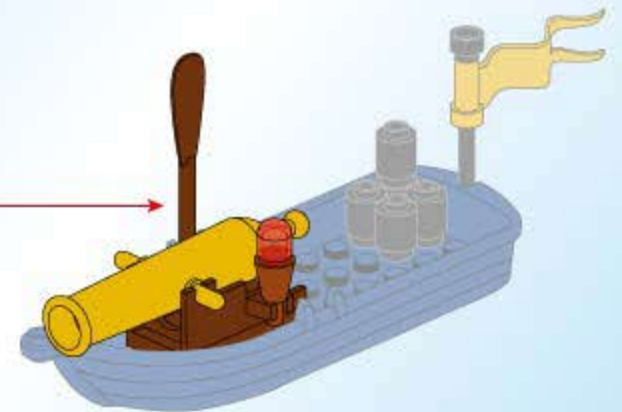
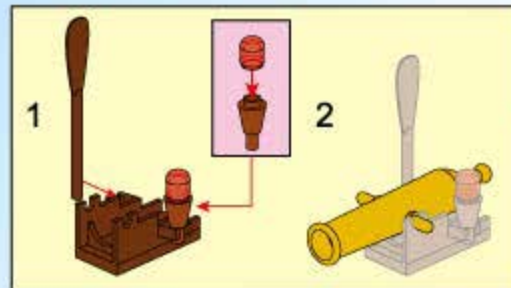
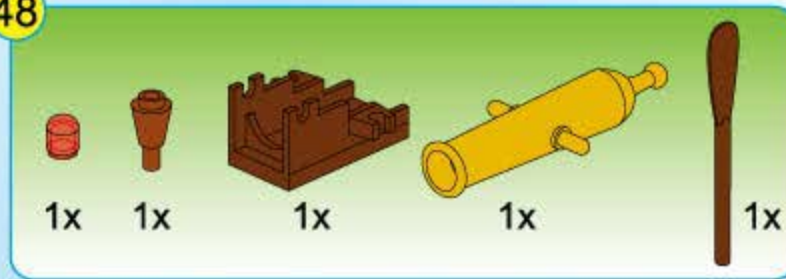
46

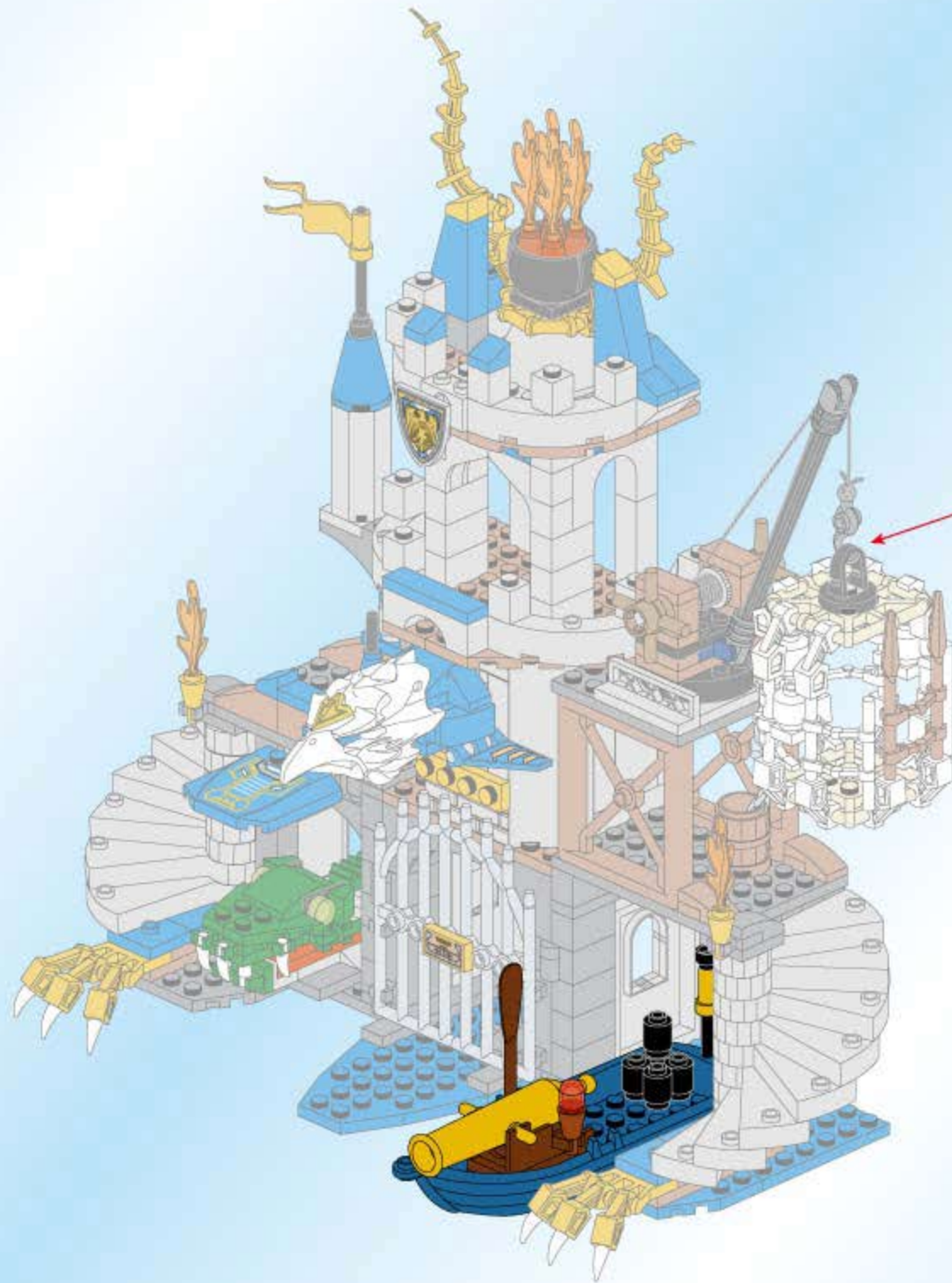


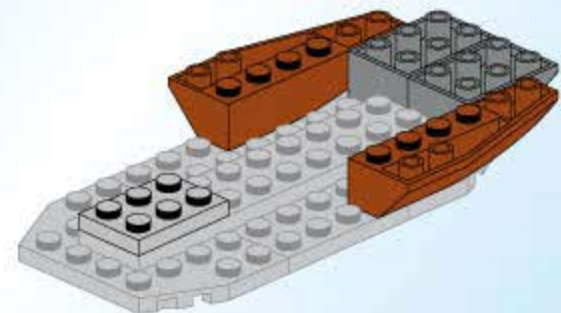
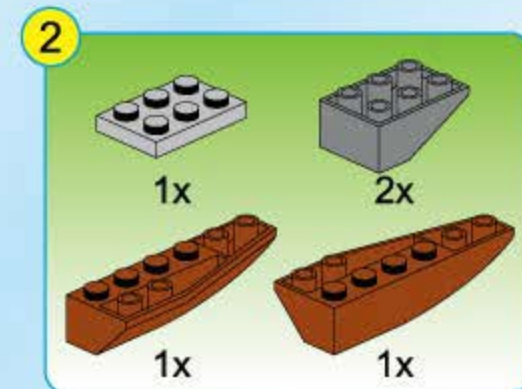
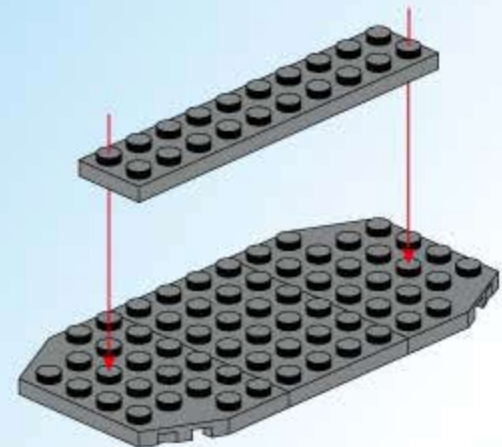
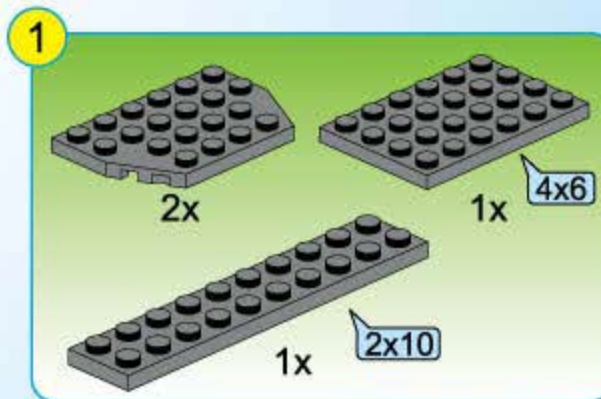
47



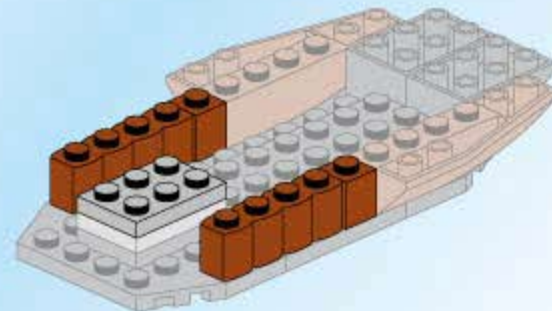
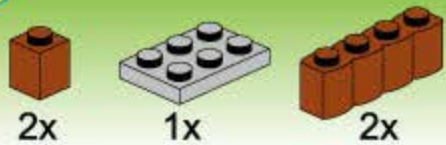
48



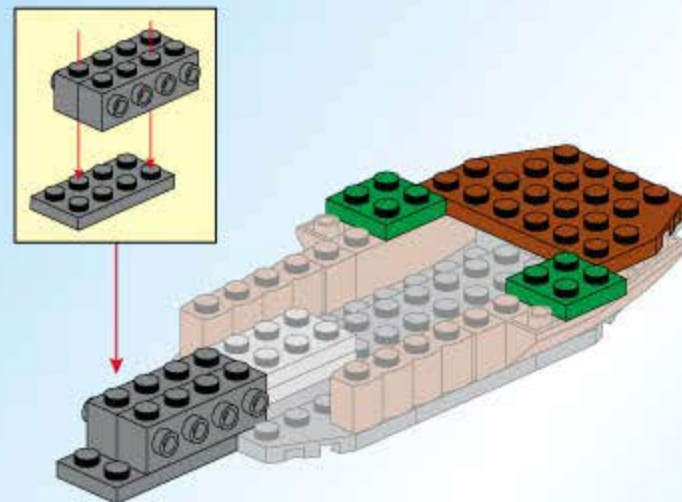
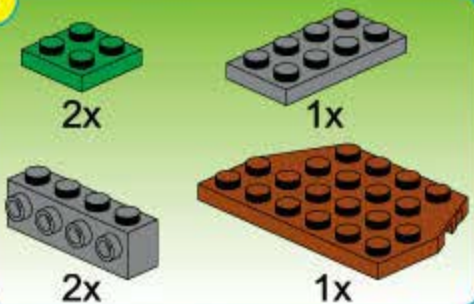




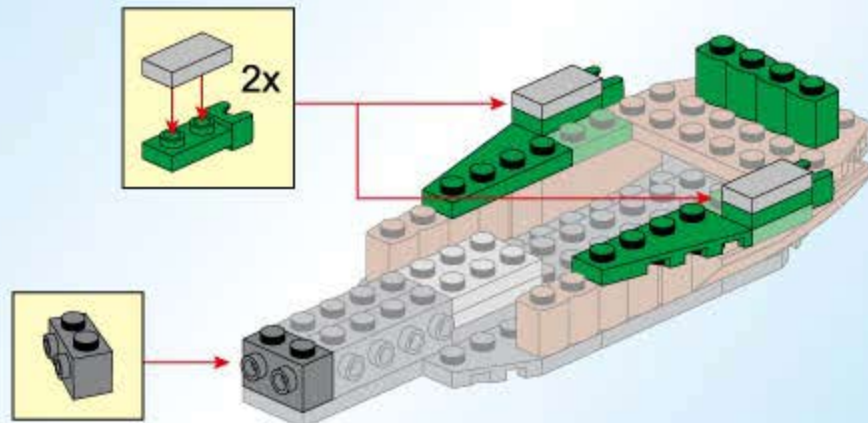
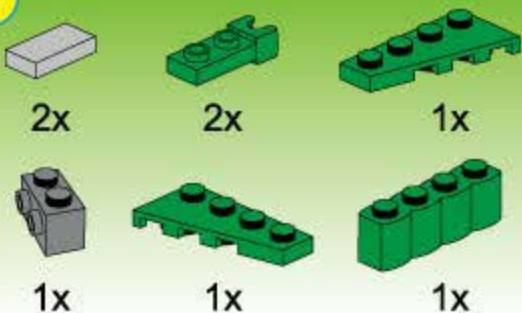
3



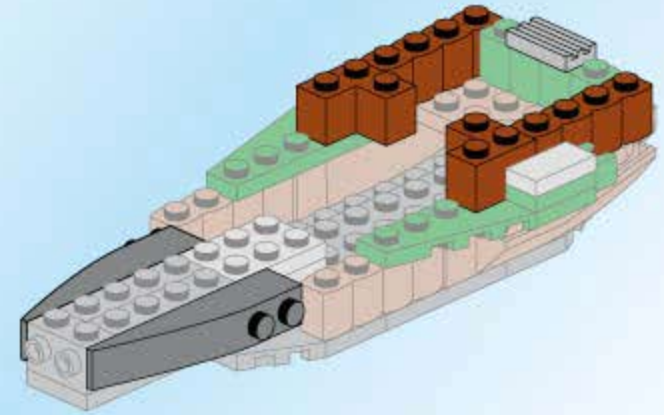
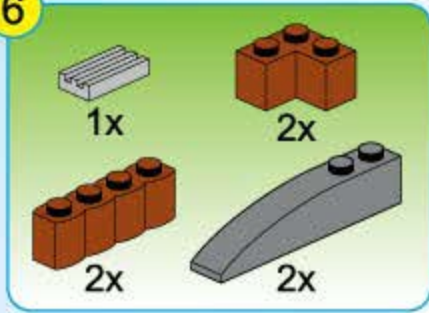
4



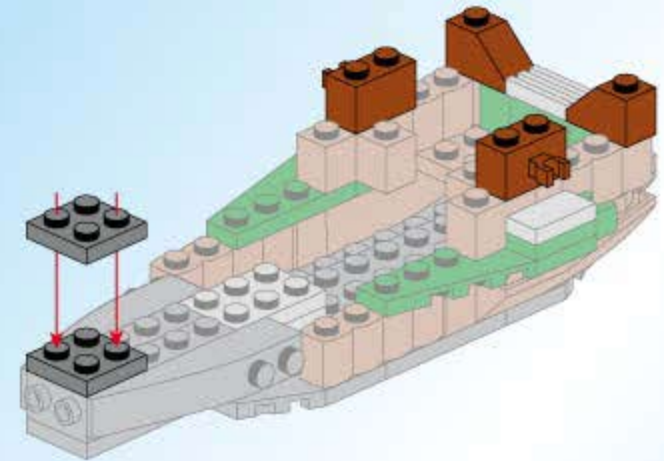
5



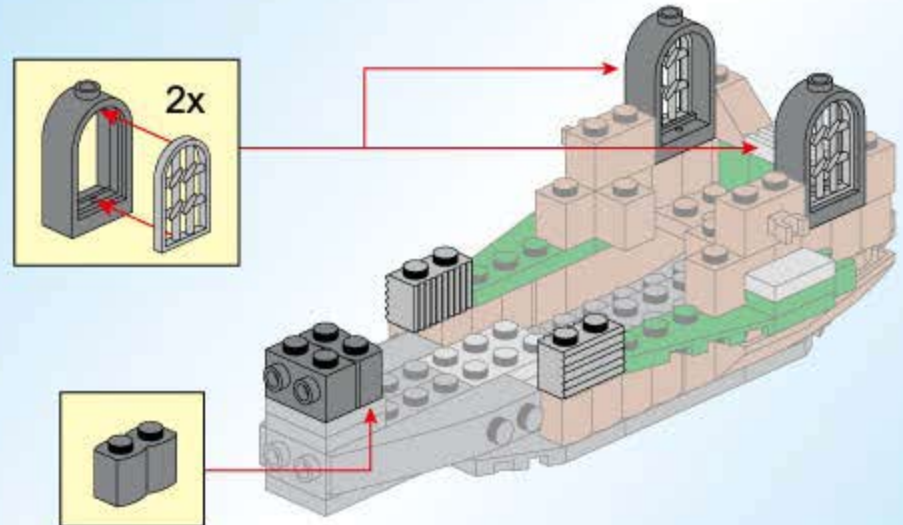
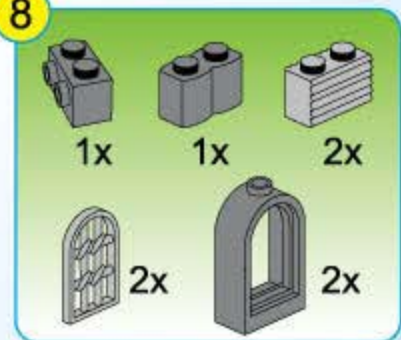
6

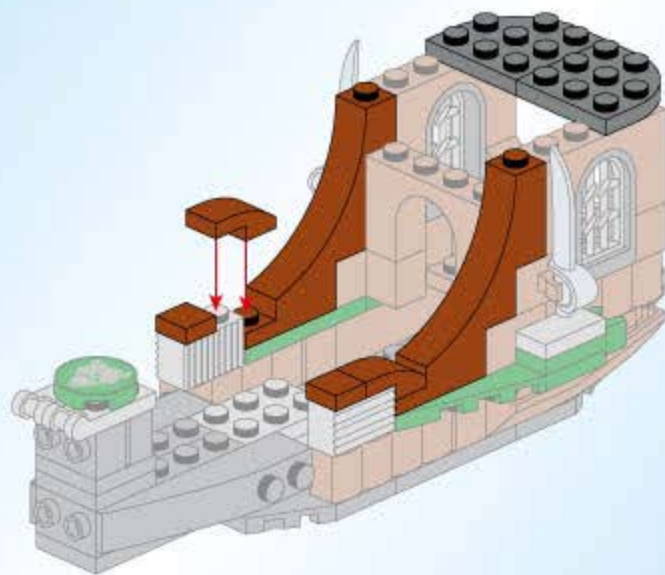
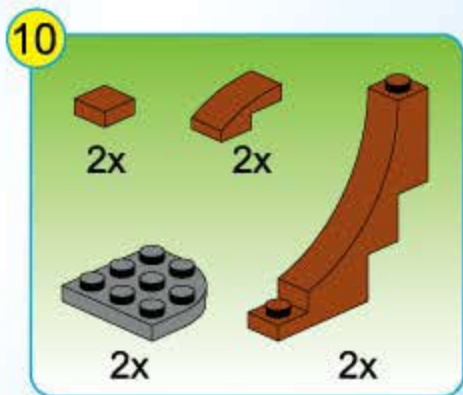
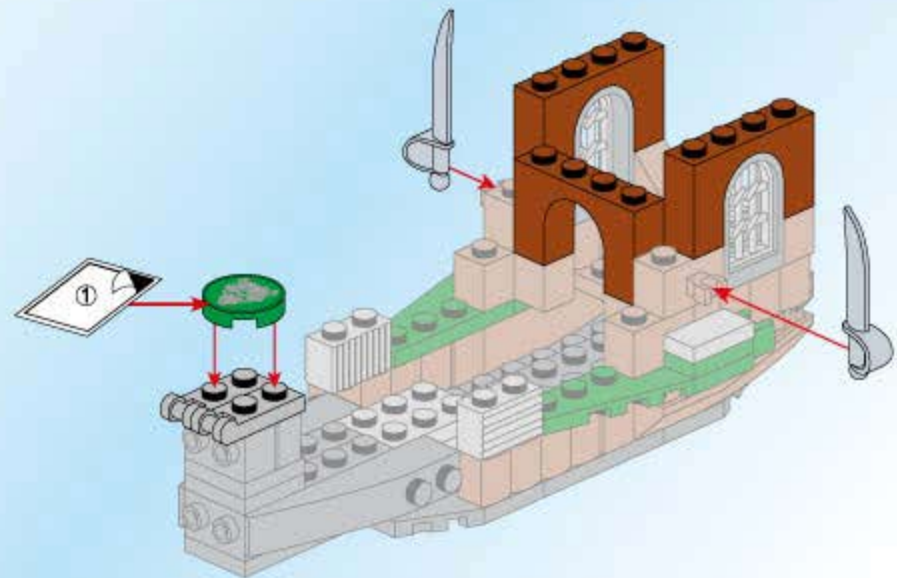
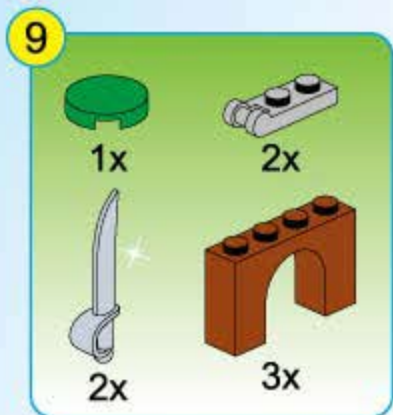


7

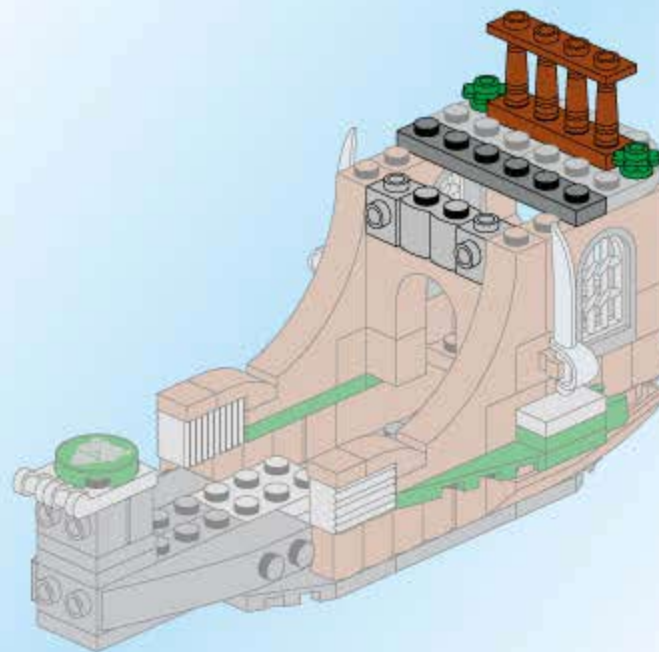
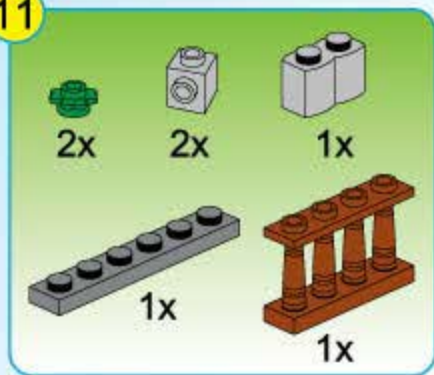


8

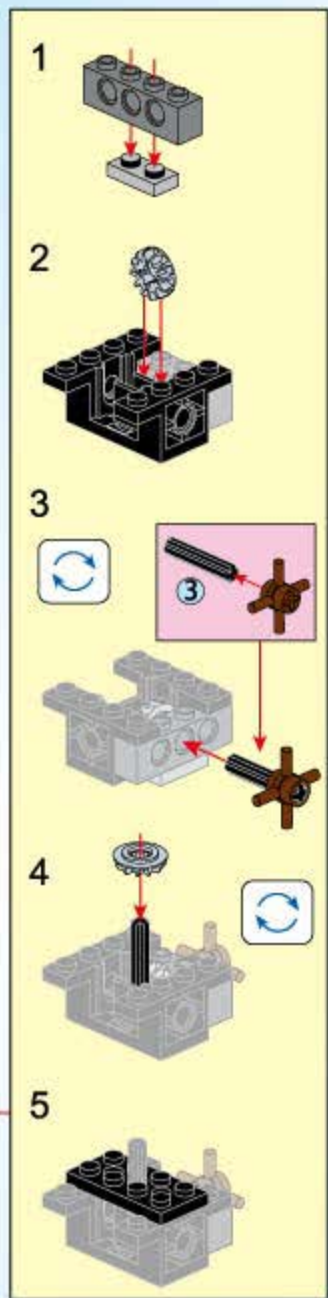
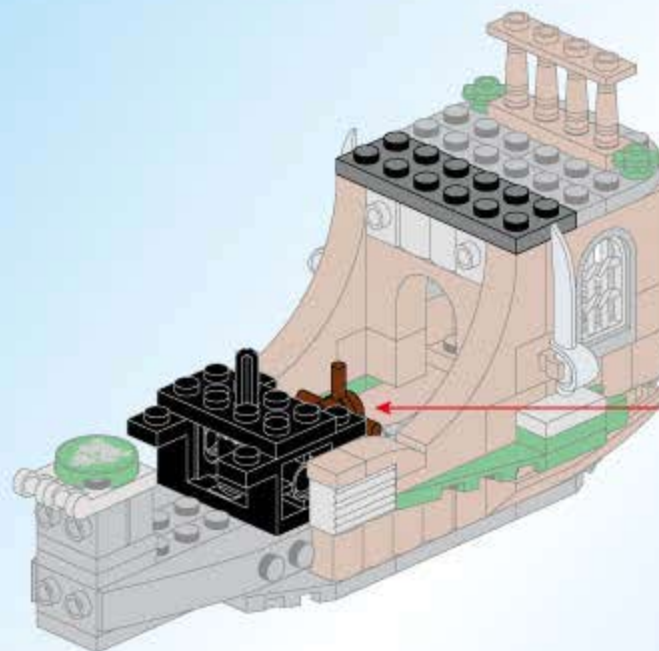
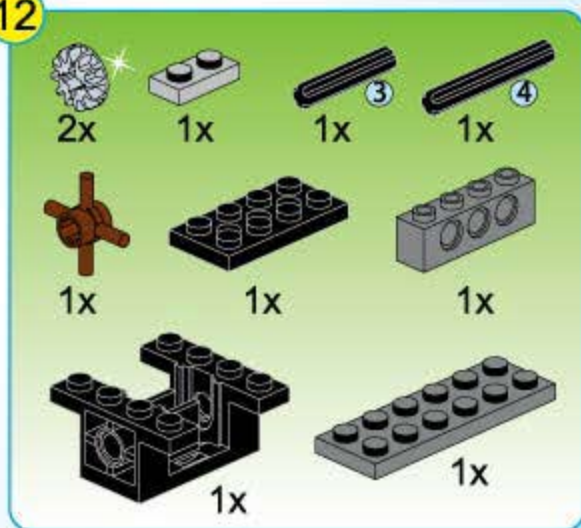




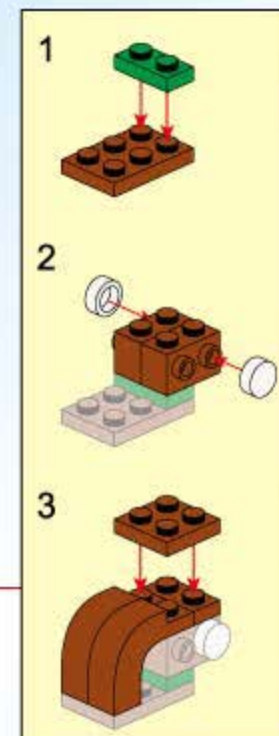
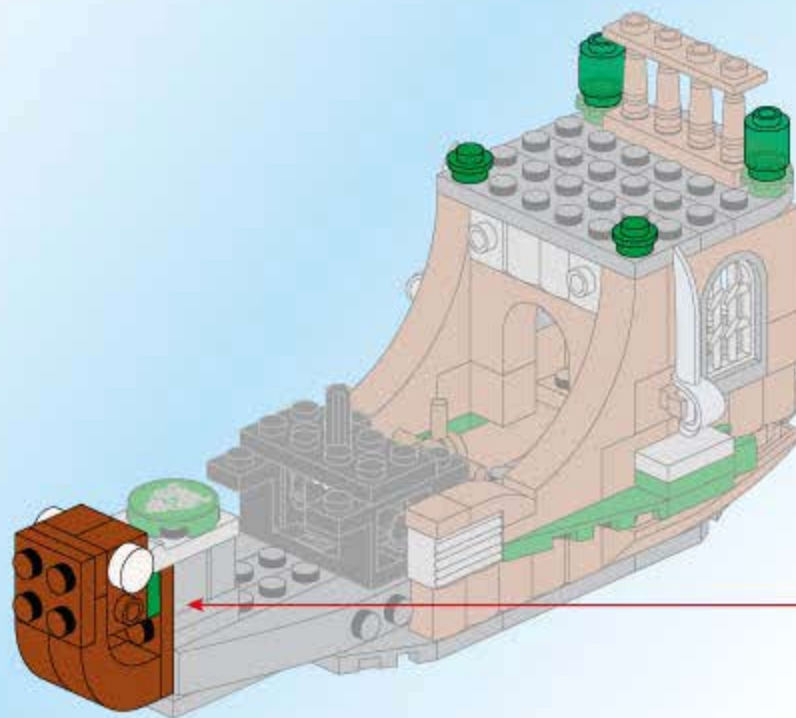
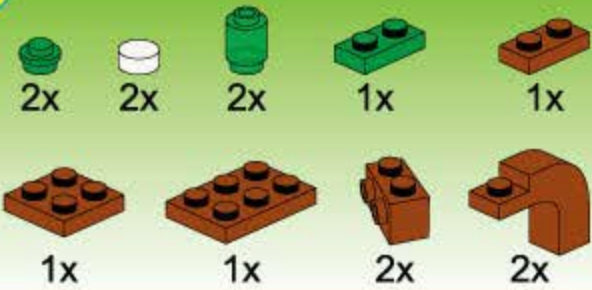
11



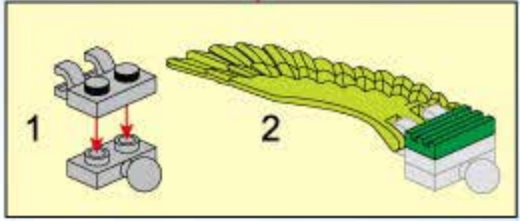
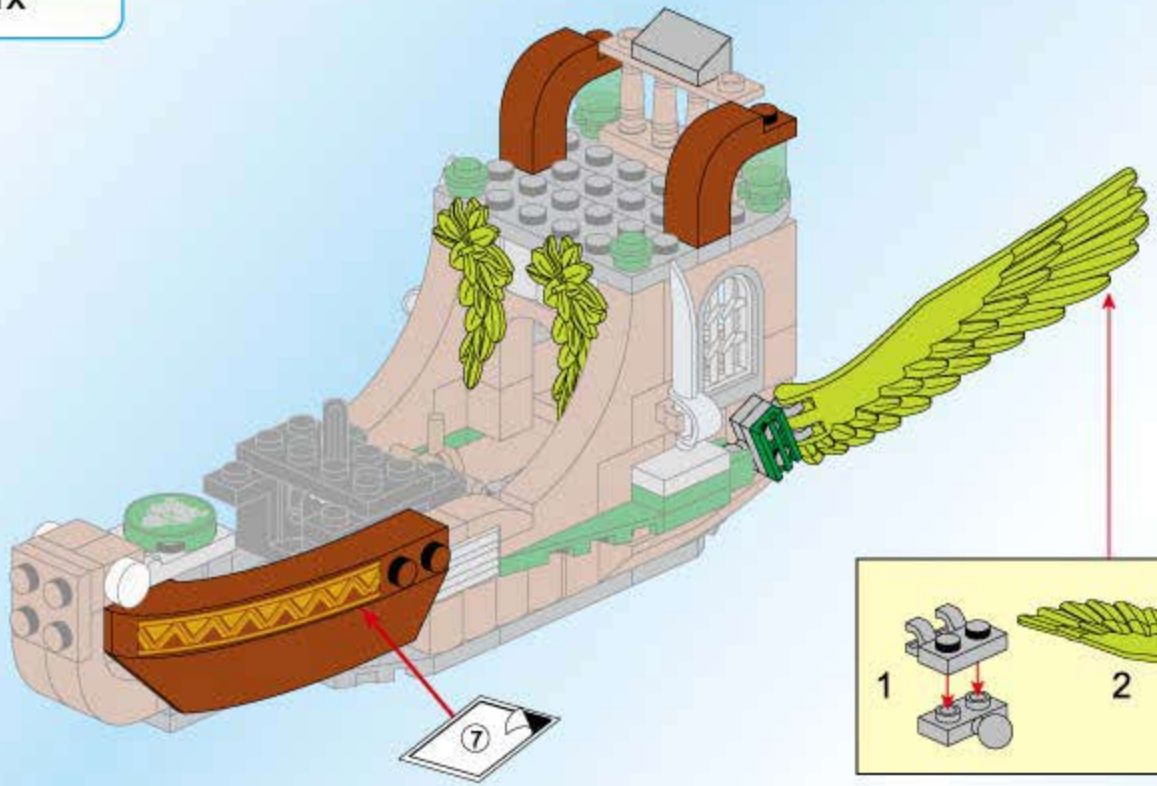
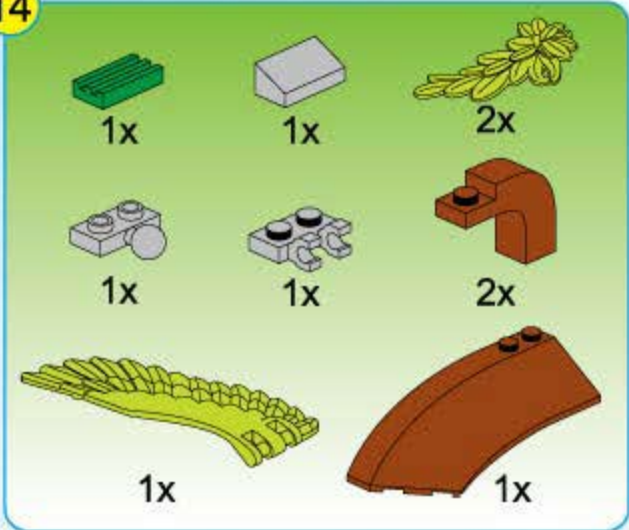
12



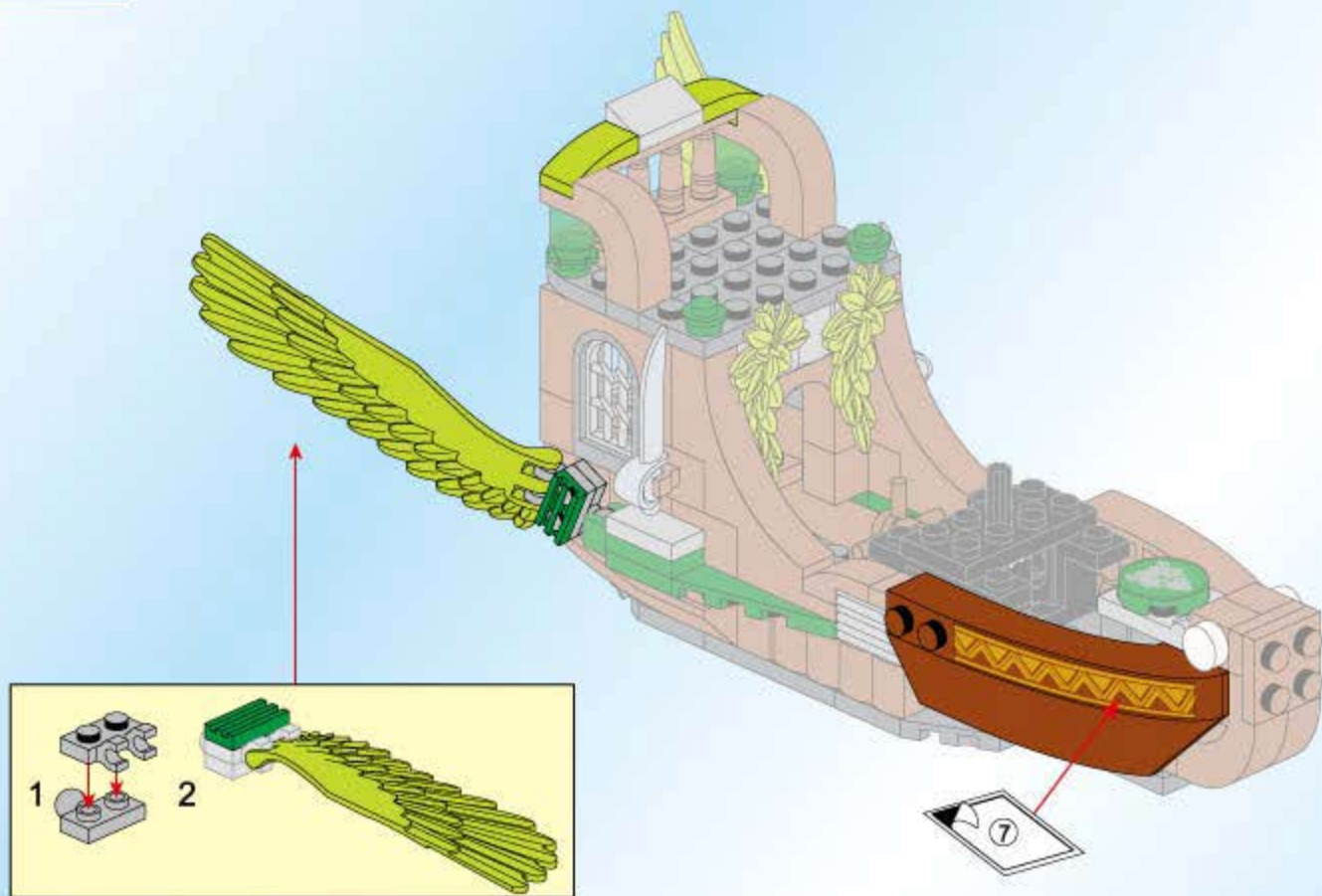
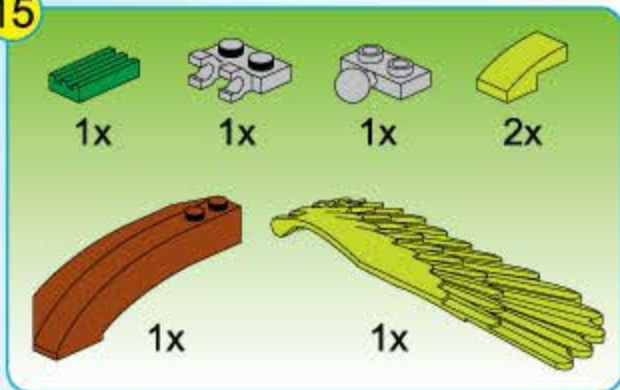
13



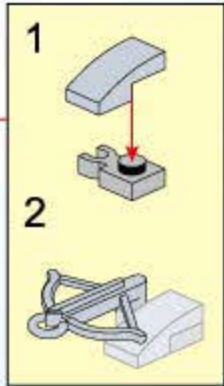
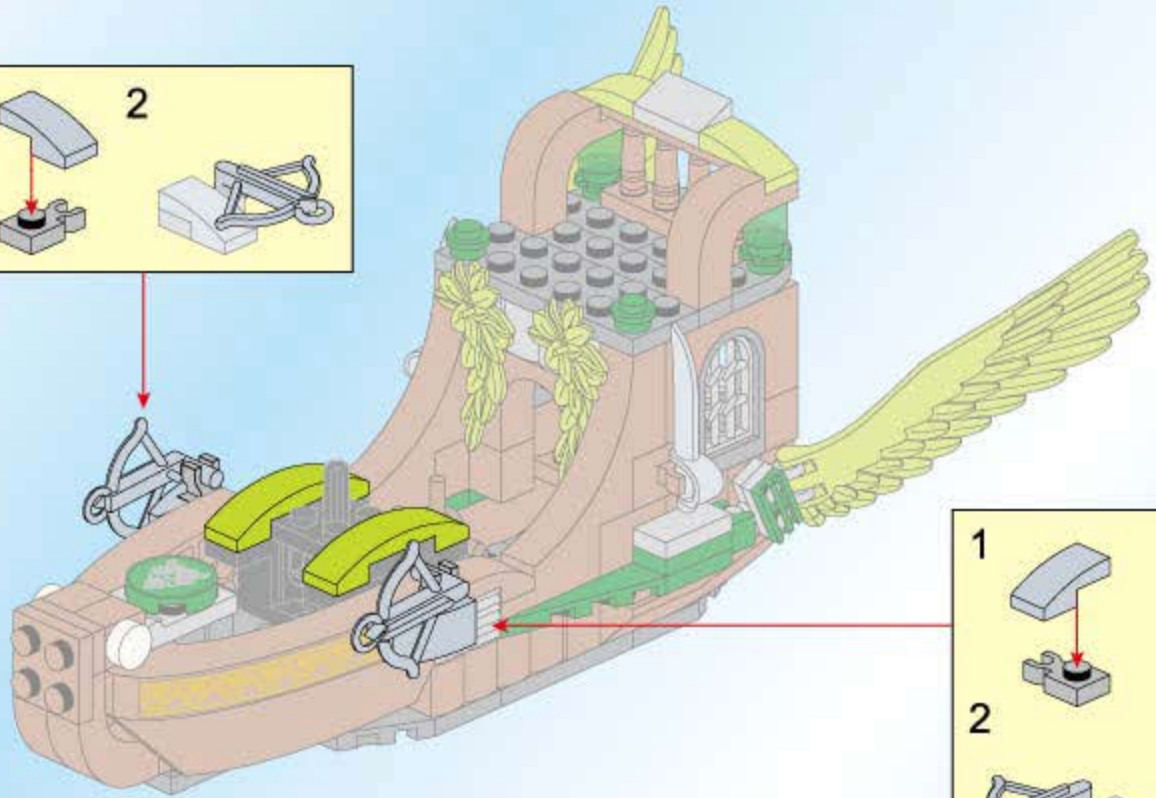
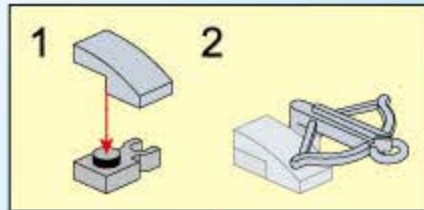
14



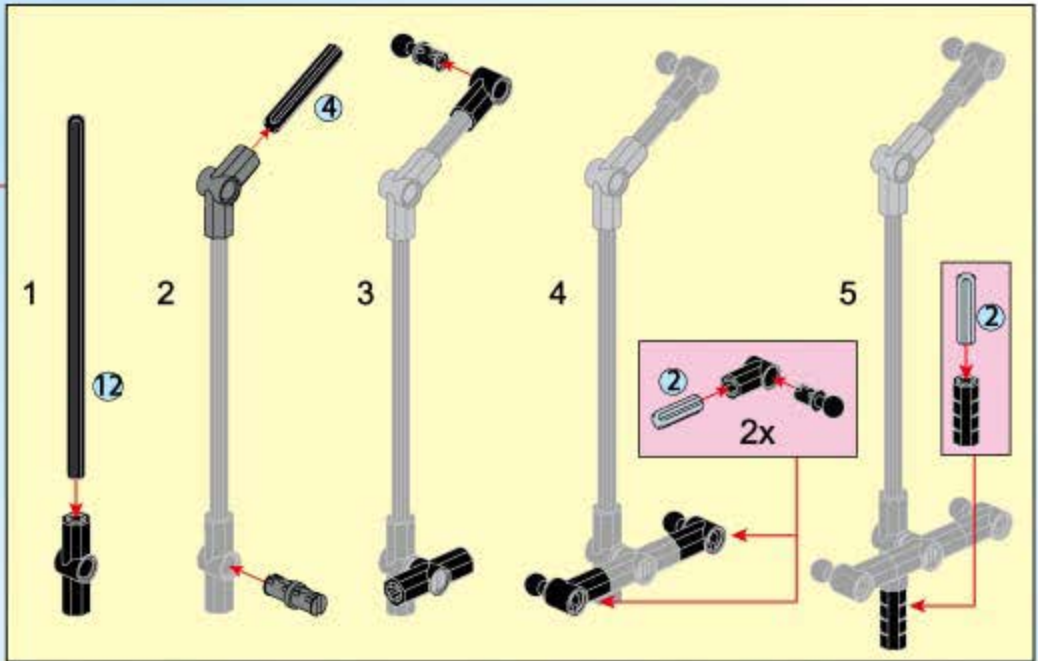
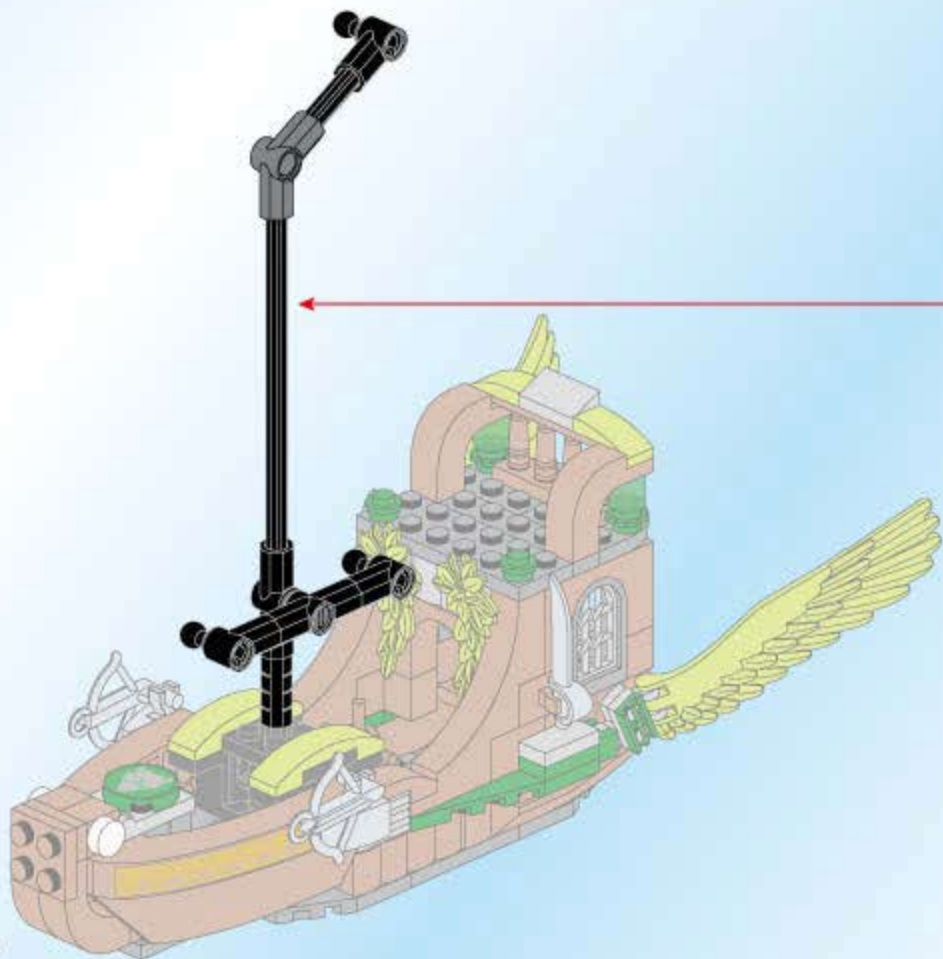
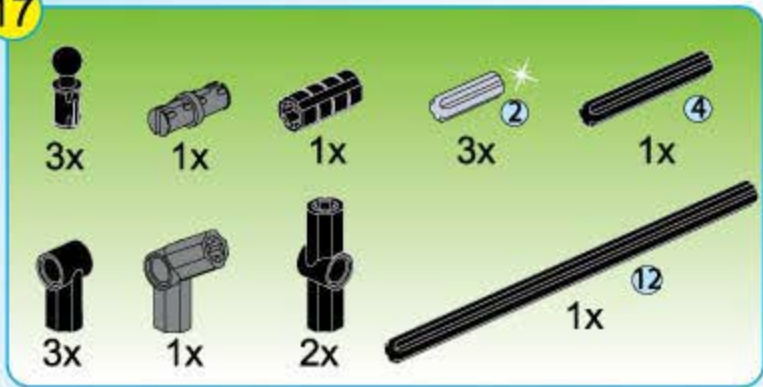
15



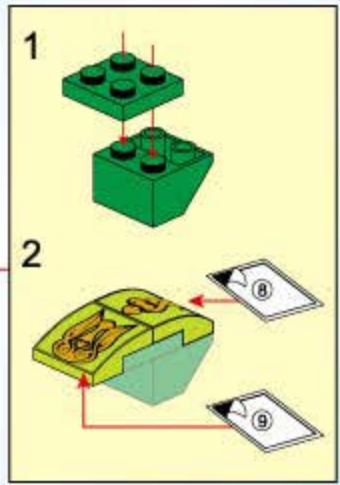
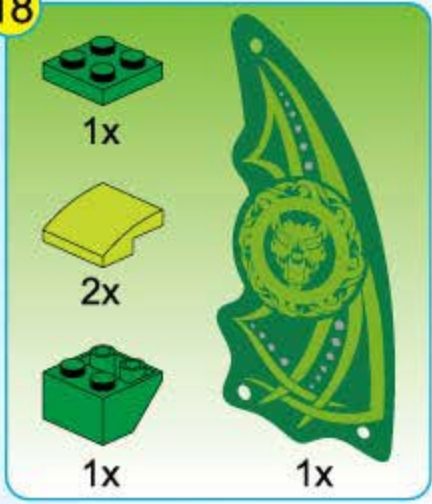
16



17



18





The title 'THE WAR OF GLORY' is centered at the bottom. It is enclosed in a blue and silver shield-shaped frame with a decorative border. The words 'THE WAR' and 'GLORY' are in a bold, yellow, serif font, while 'OF' is smaller and positioned between them. Above the text is a stylized eagle with its wings spread, perched on a branch.