



# Jeep®



Jeep, the Jeep grille and related logos, vehicle model names and trade dress are trademarks of FCA US LLC and used under license by Cobi.

©2015 FCA US LLC.

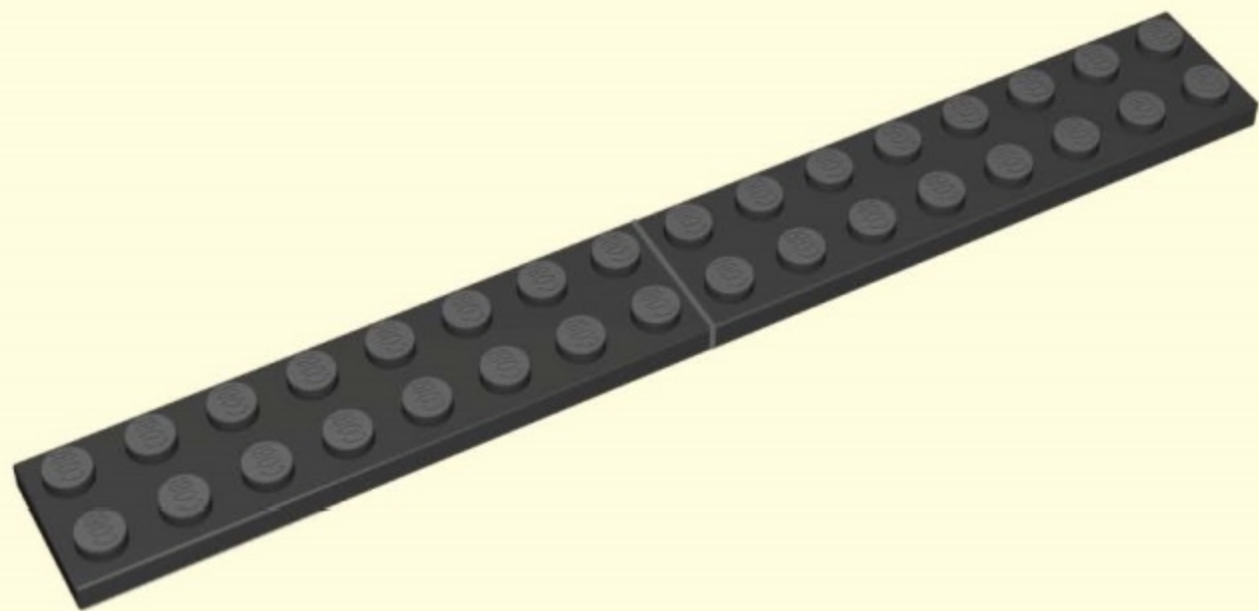


**Printed in EU**

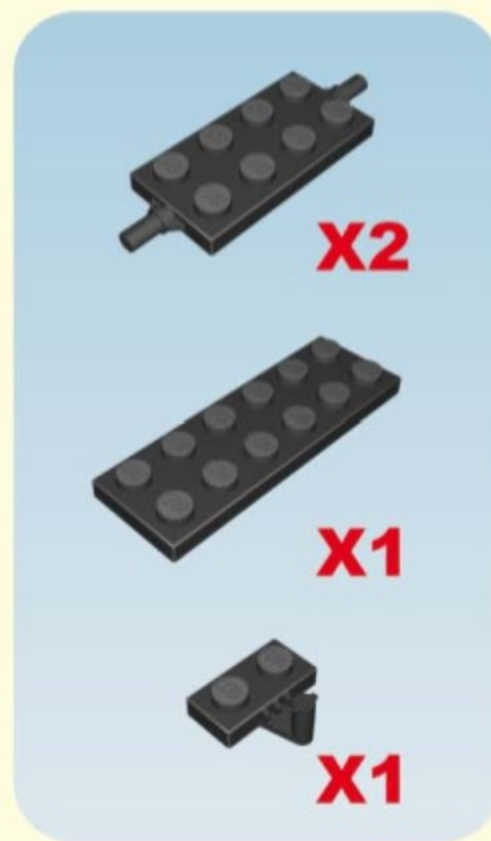
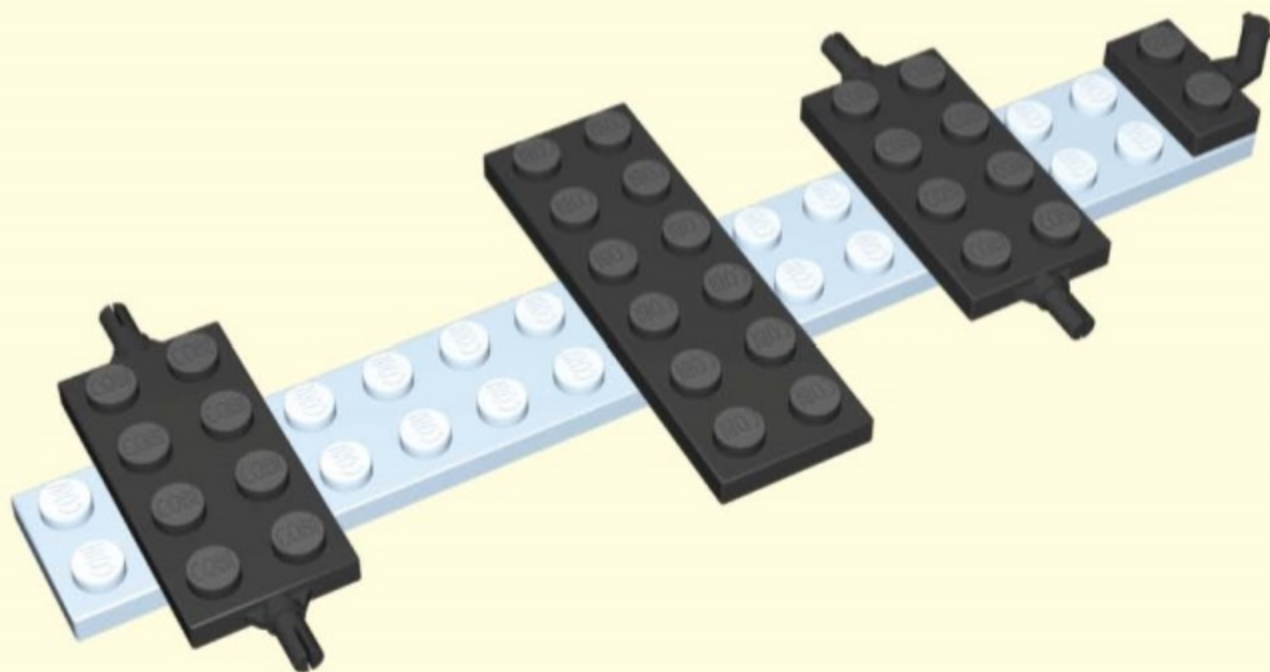


**WARNING: CHOKING HAZARD-**  
Toy contains small parts.  
Not for children under 3 years.

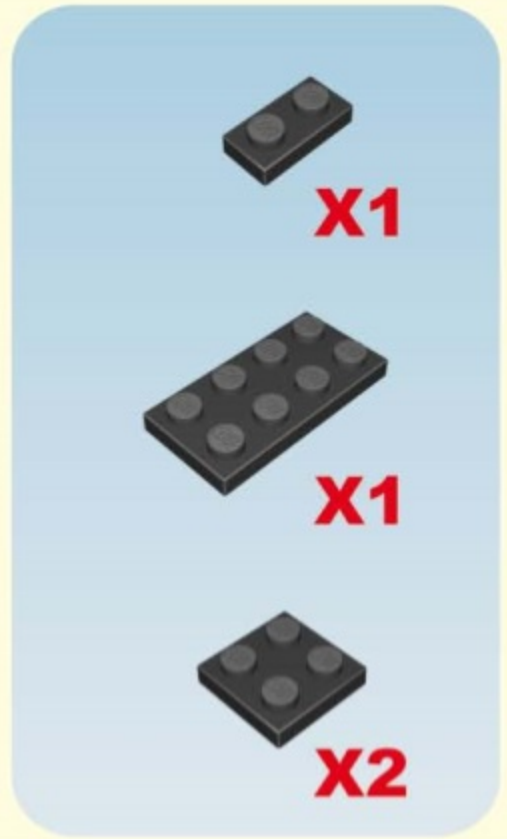
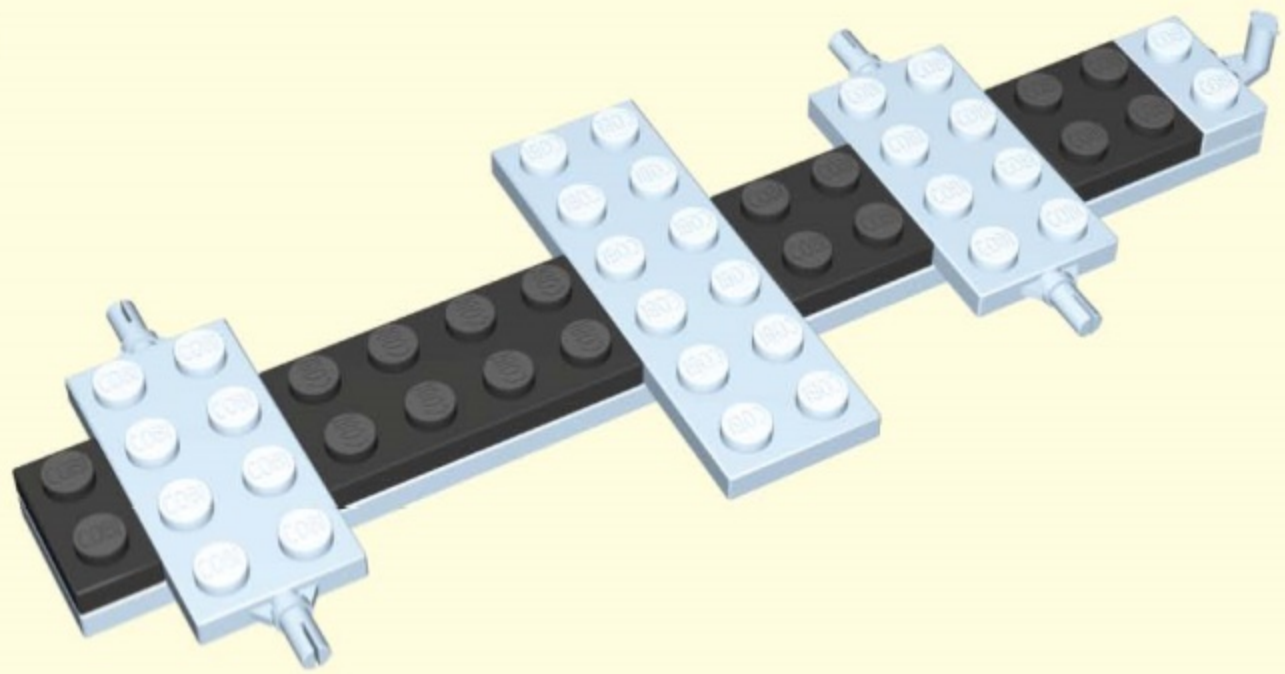
1



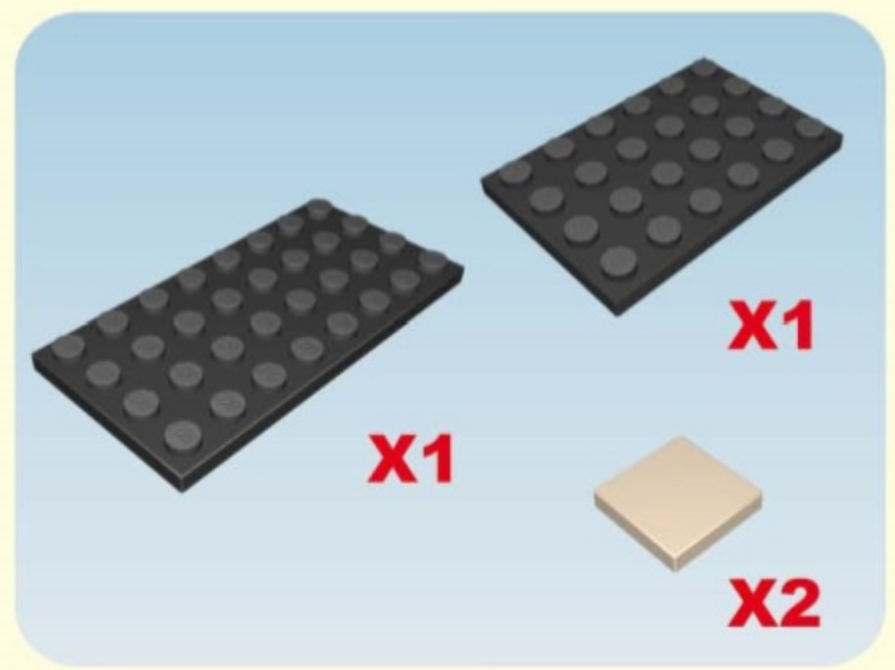
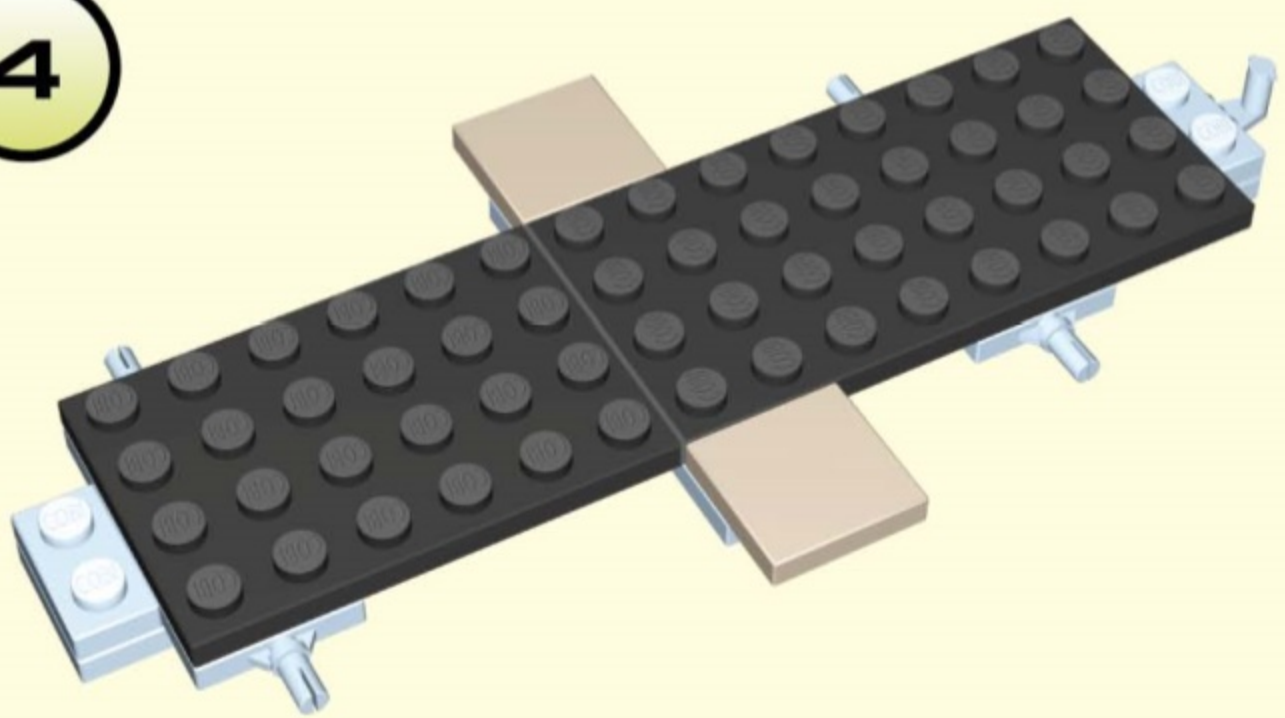
2



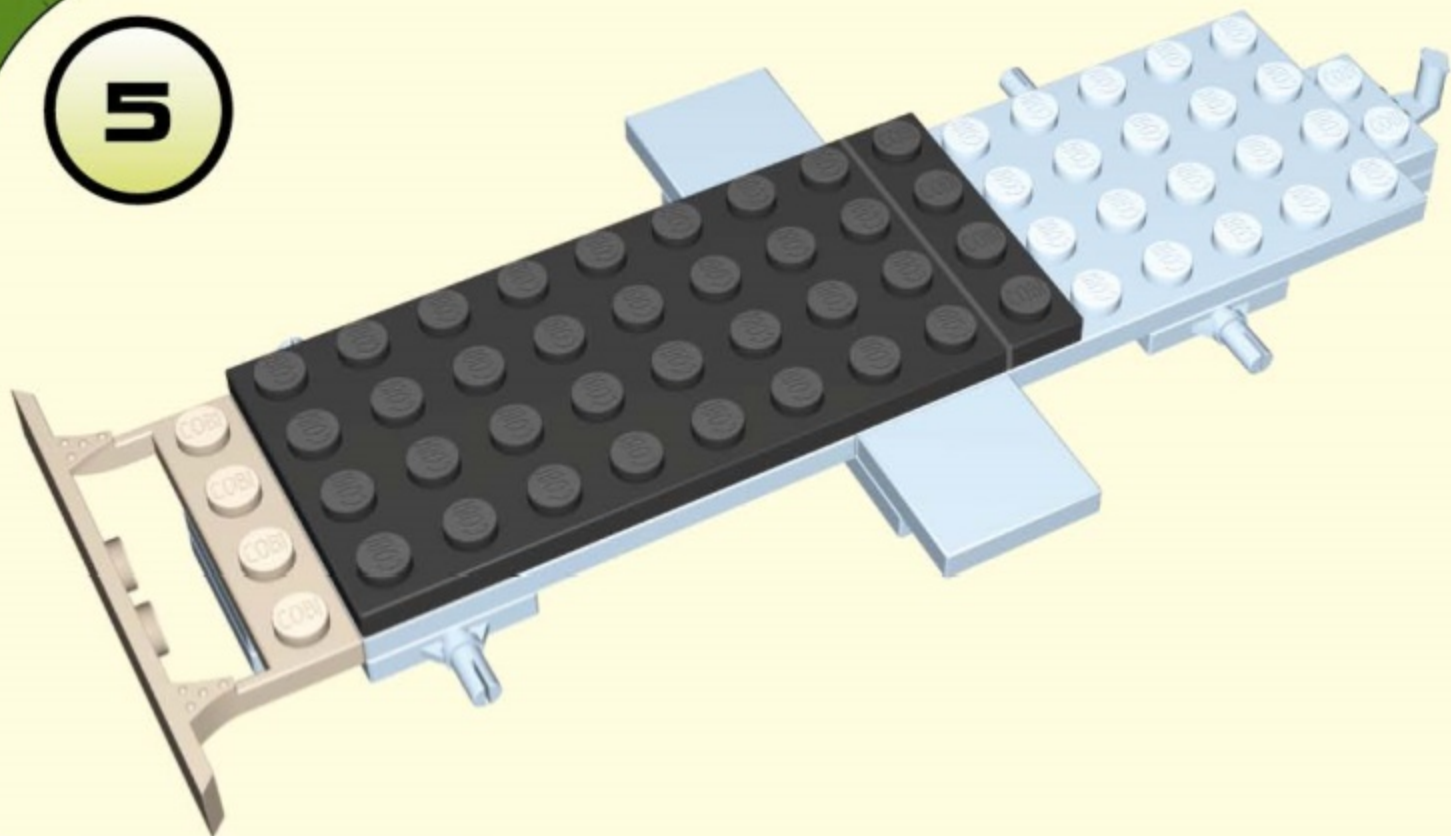
3



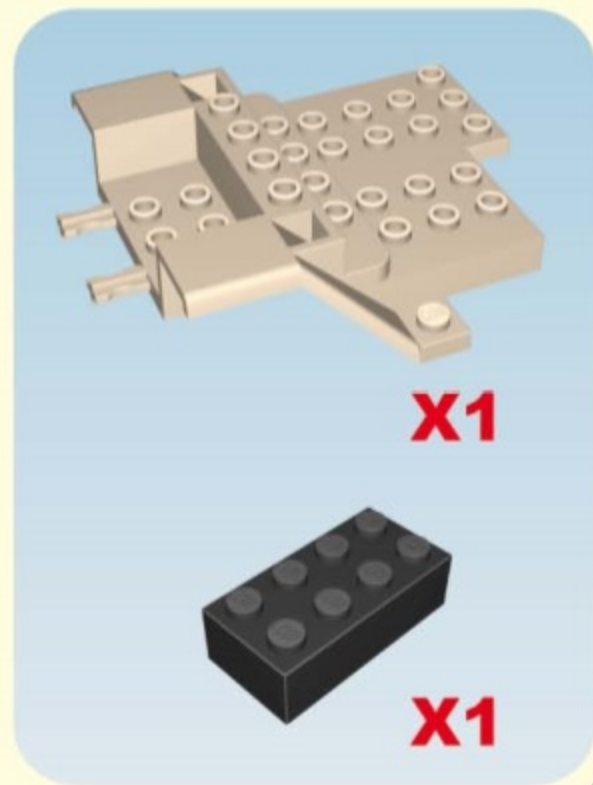
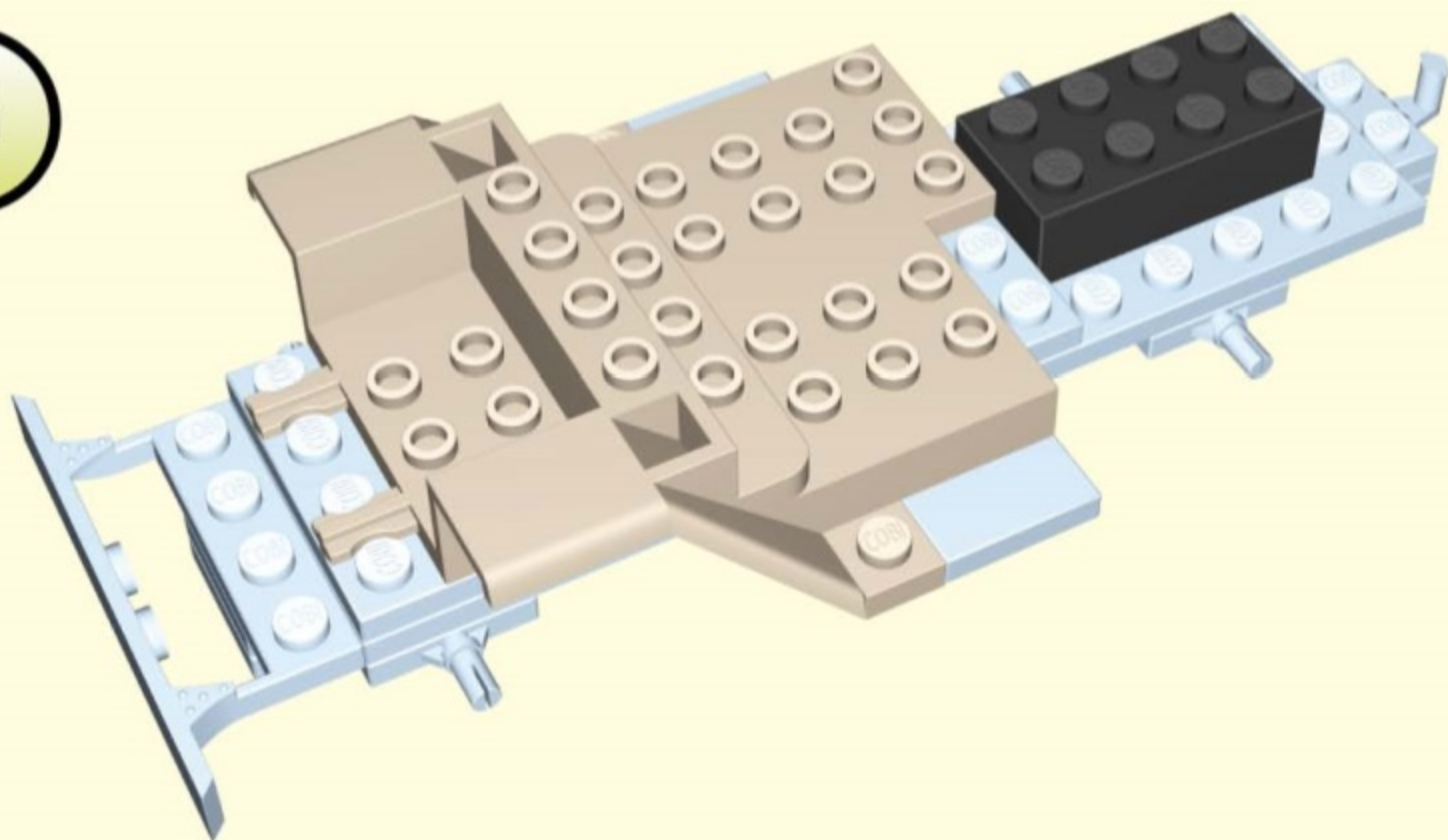
4



5



6



7



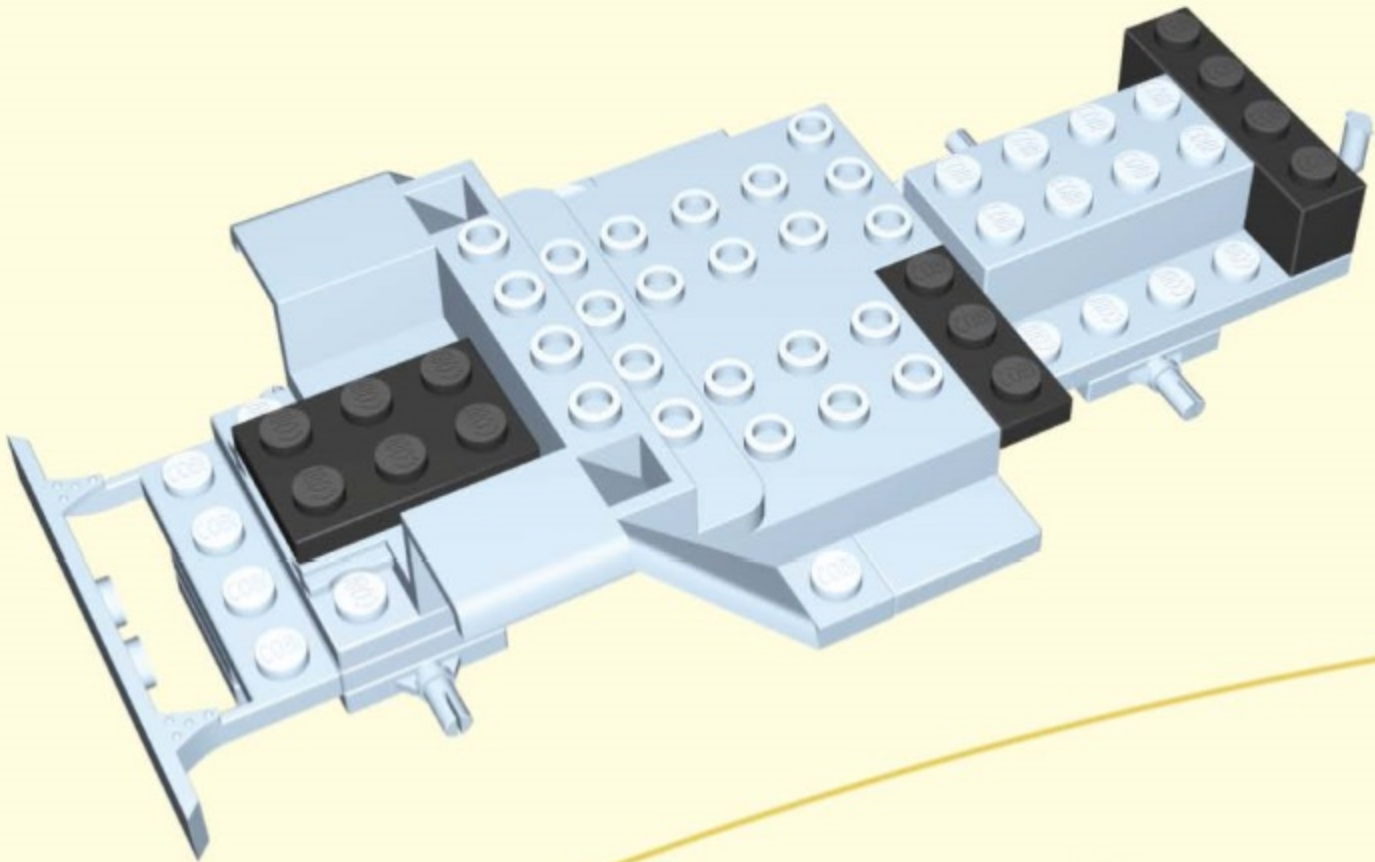
X1



X1



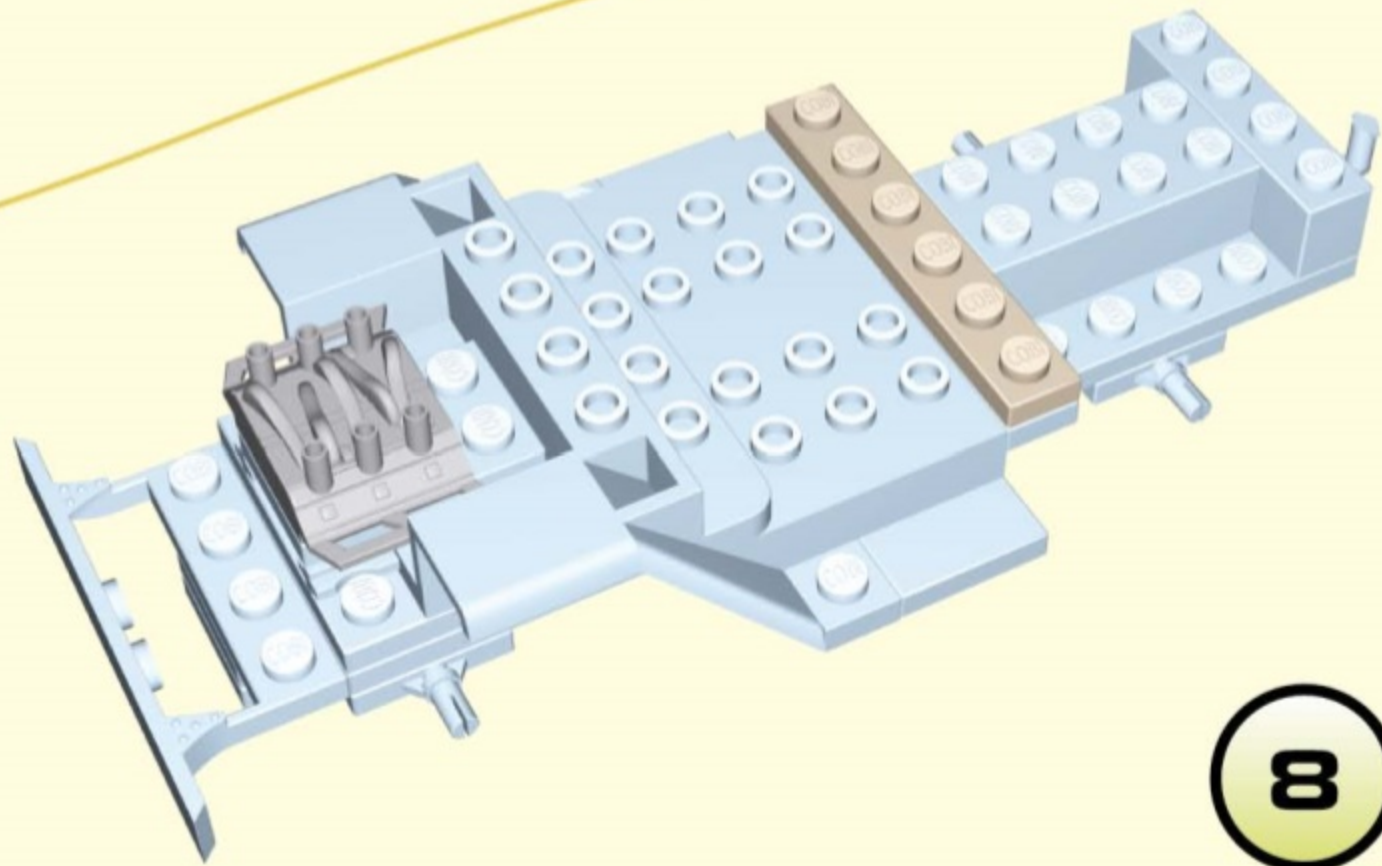
X1



X1

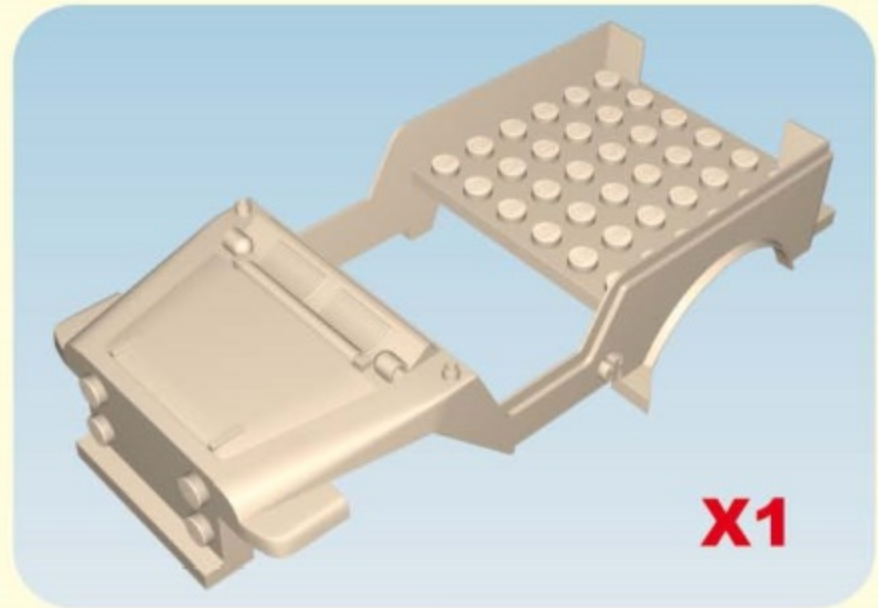
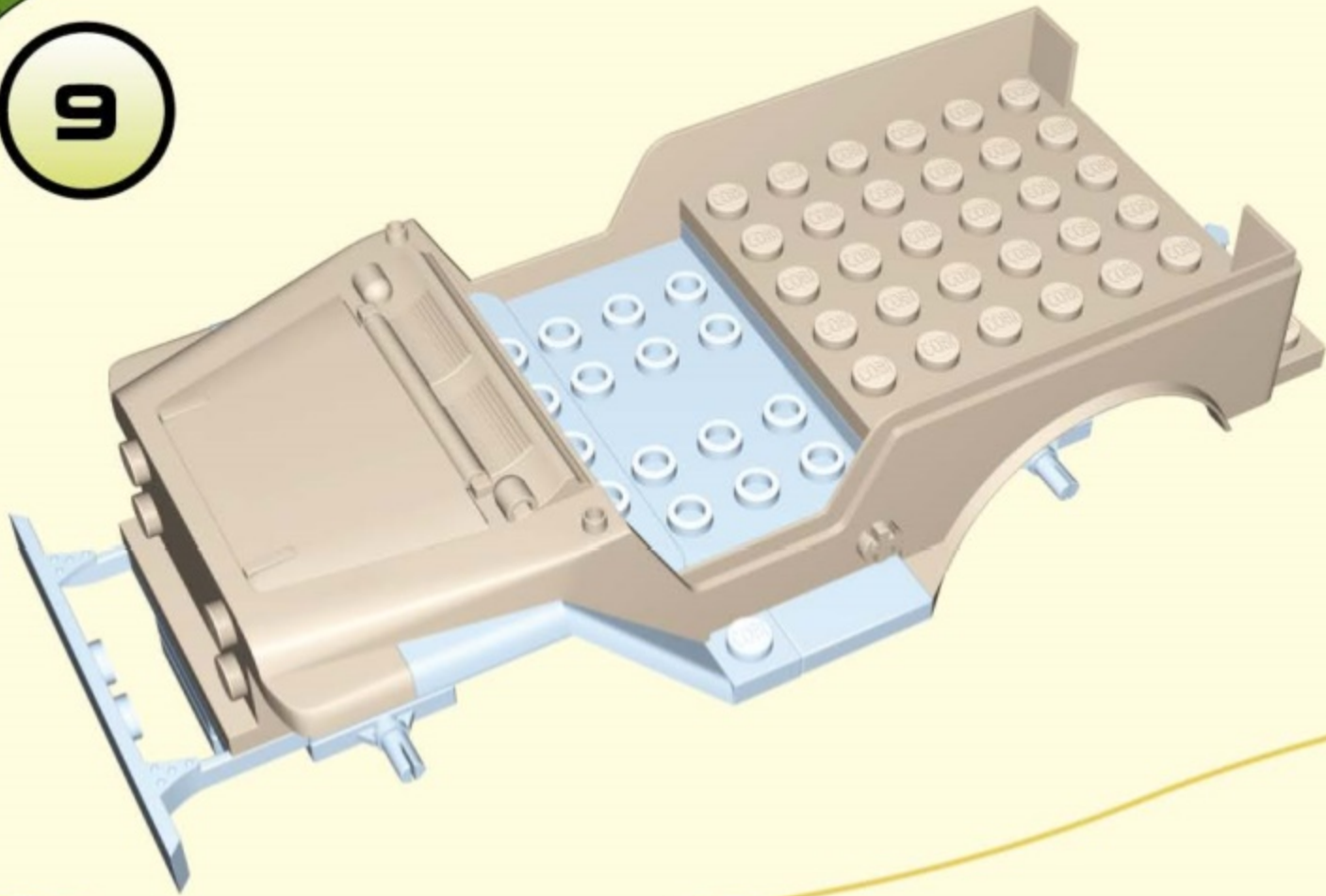


X1

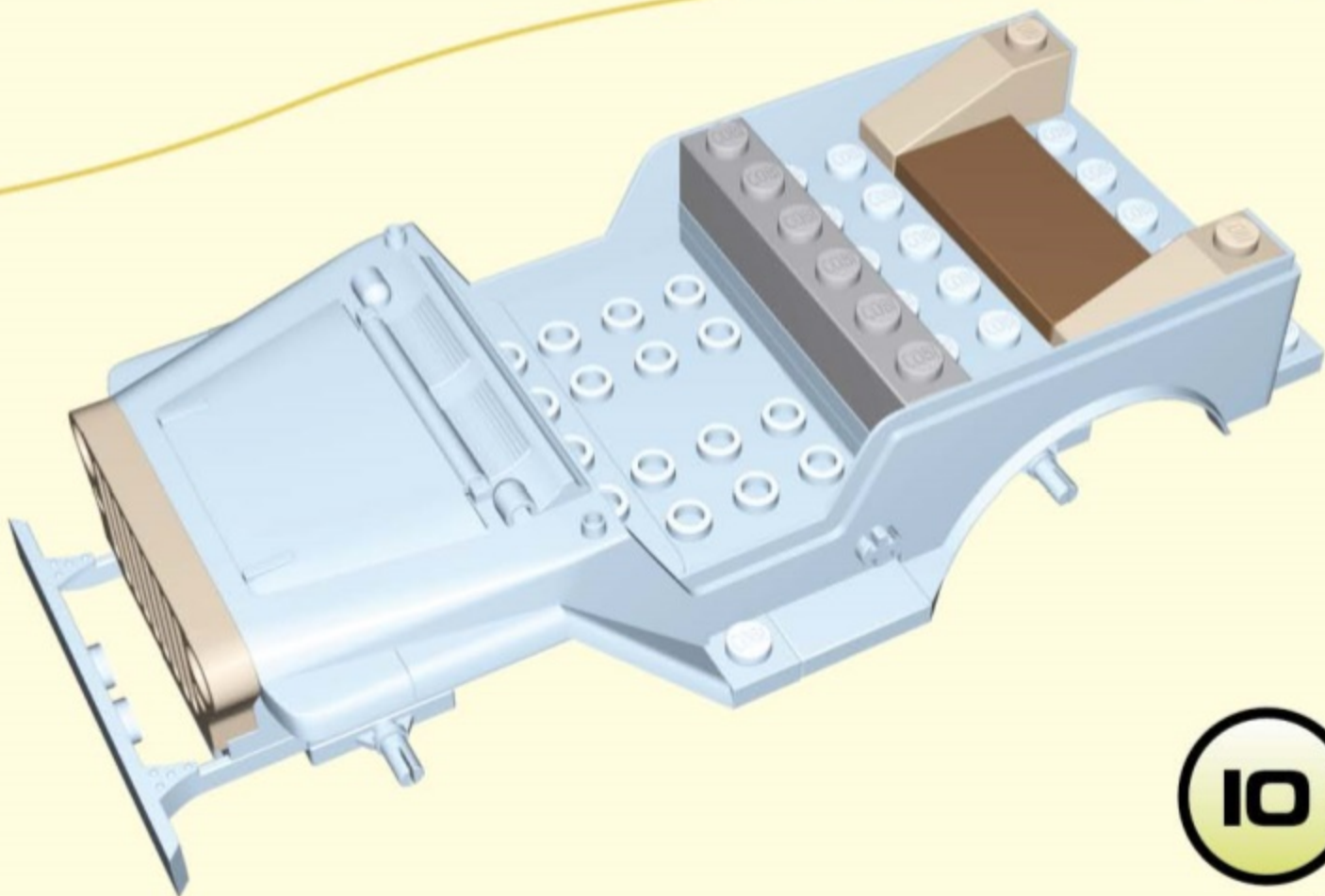
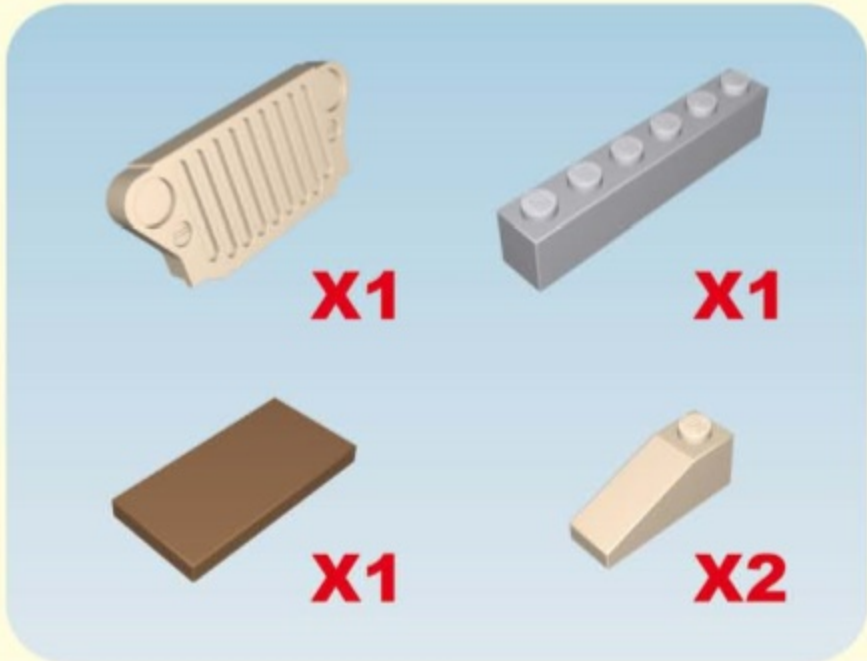


8

9

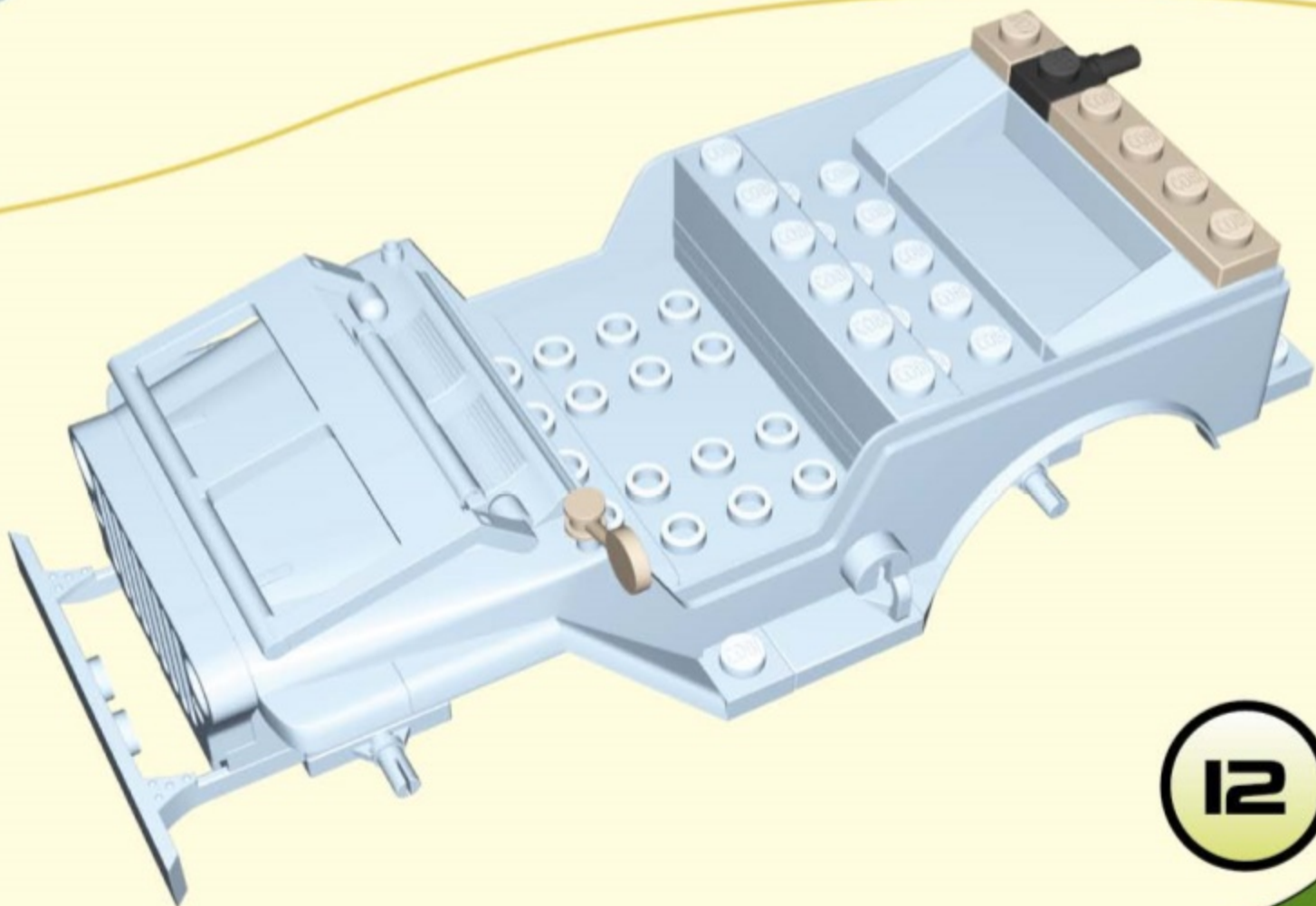
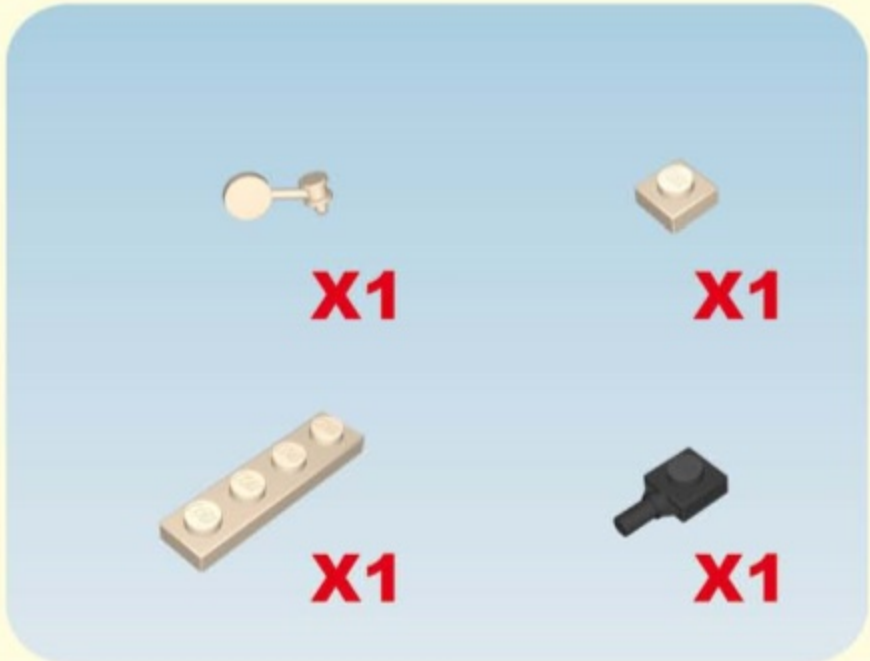
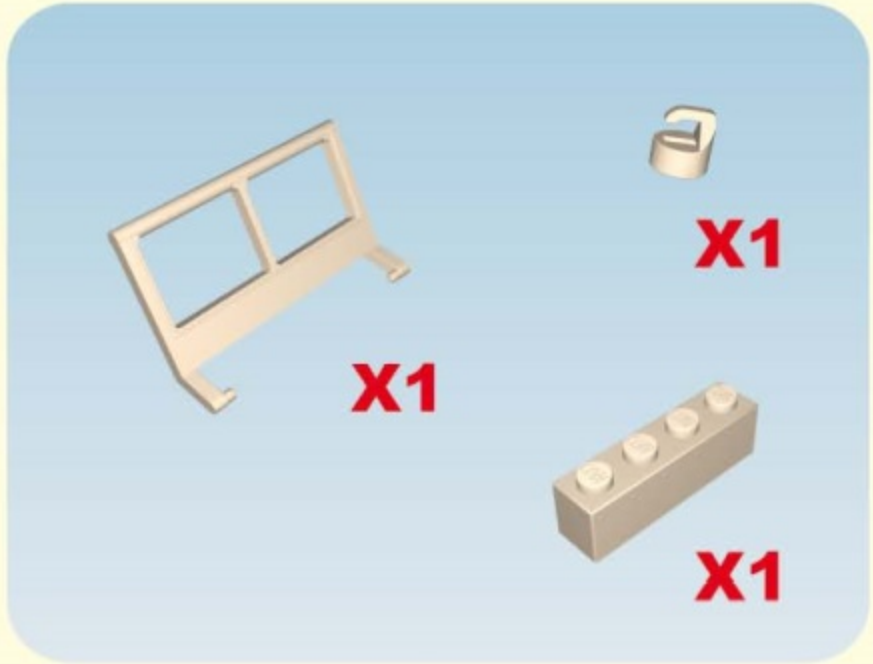
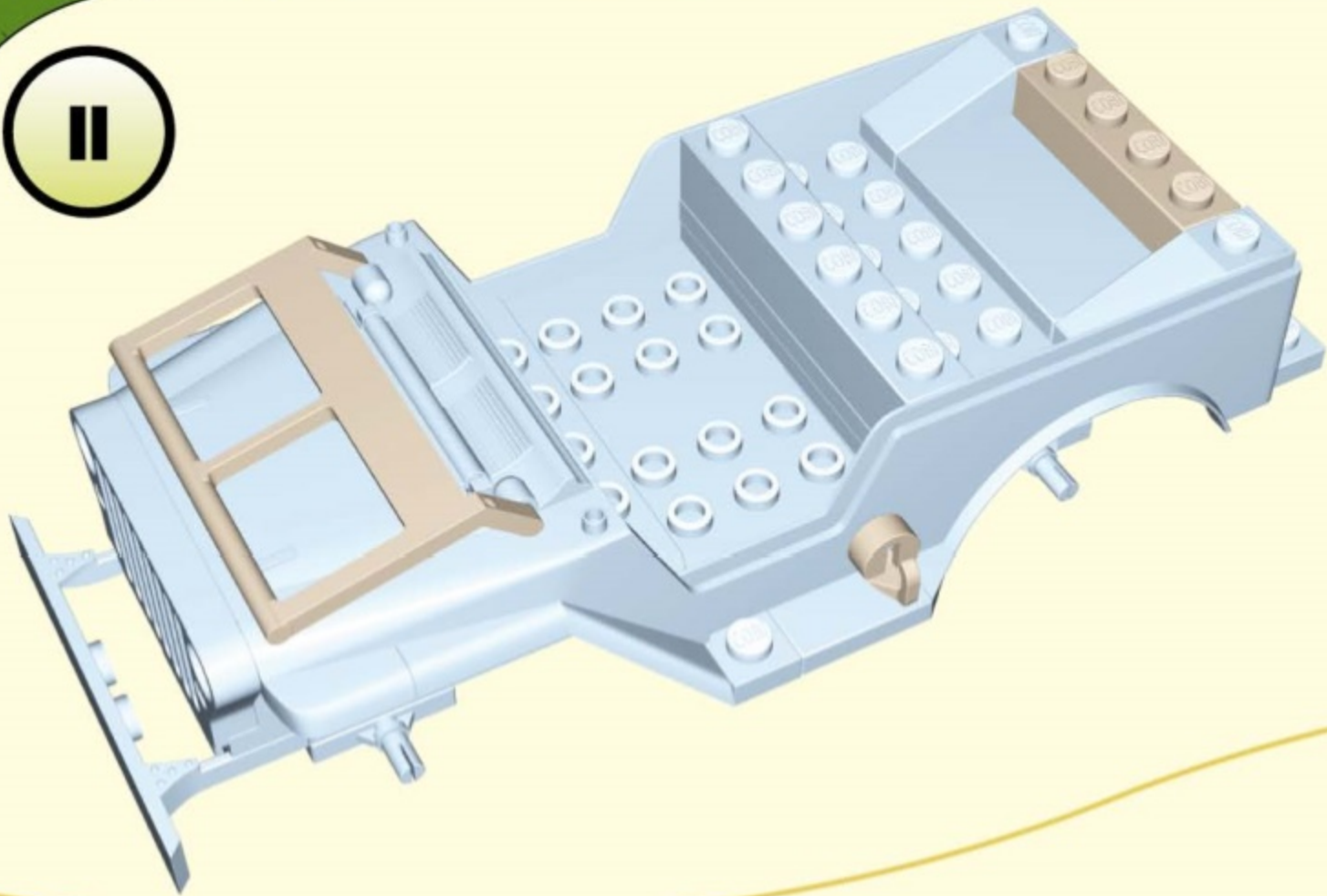


X1



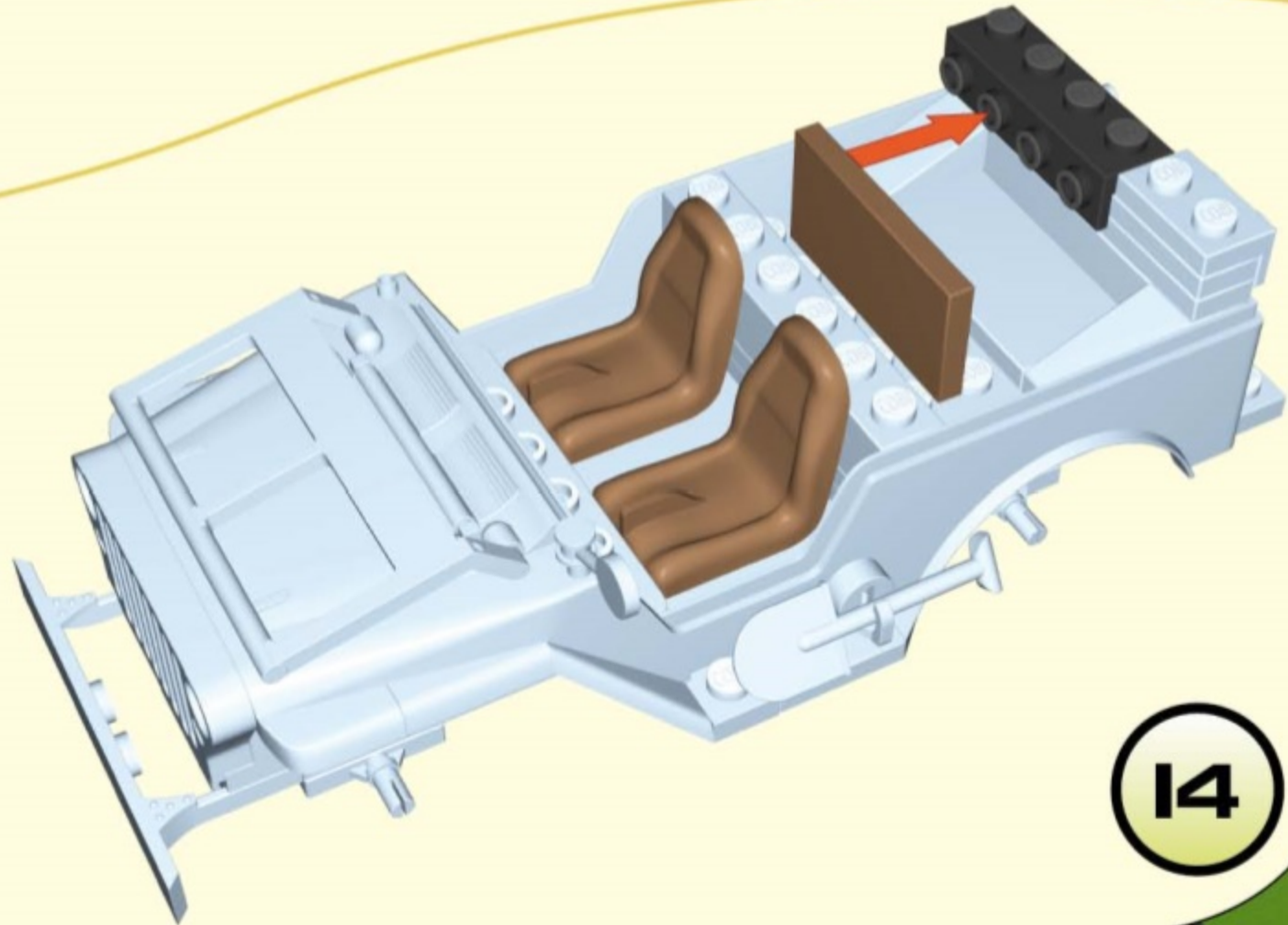
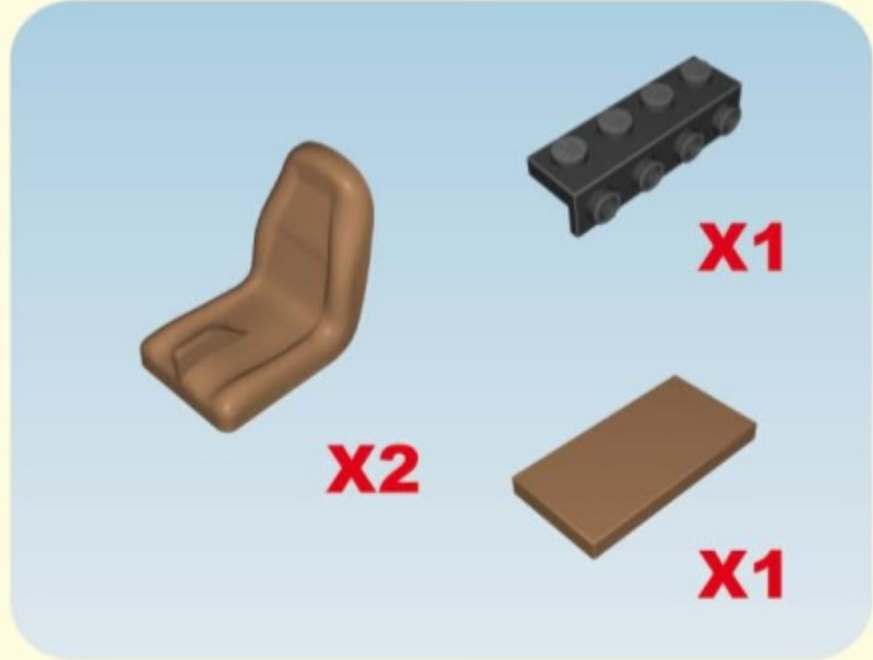
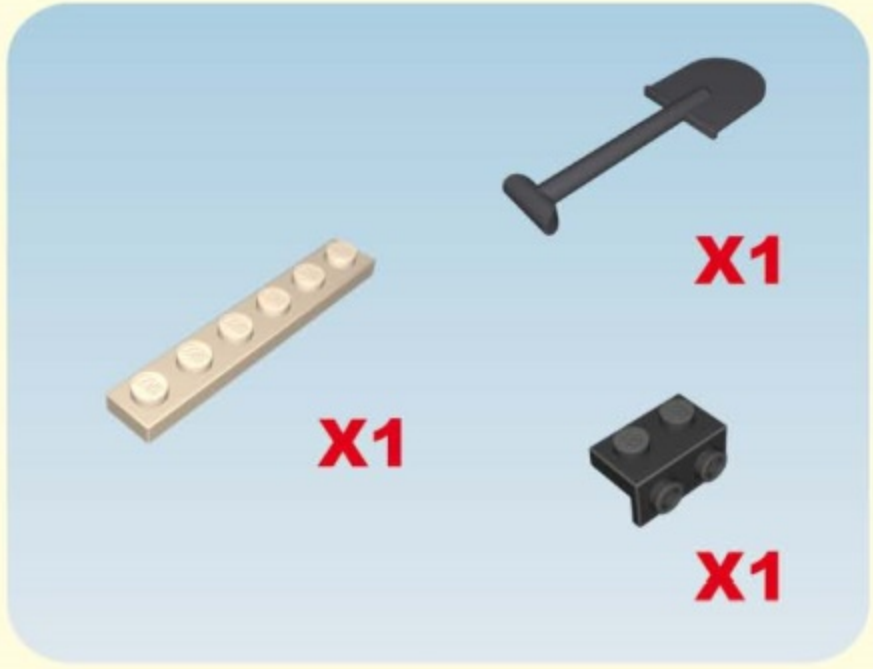
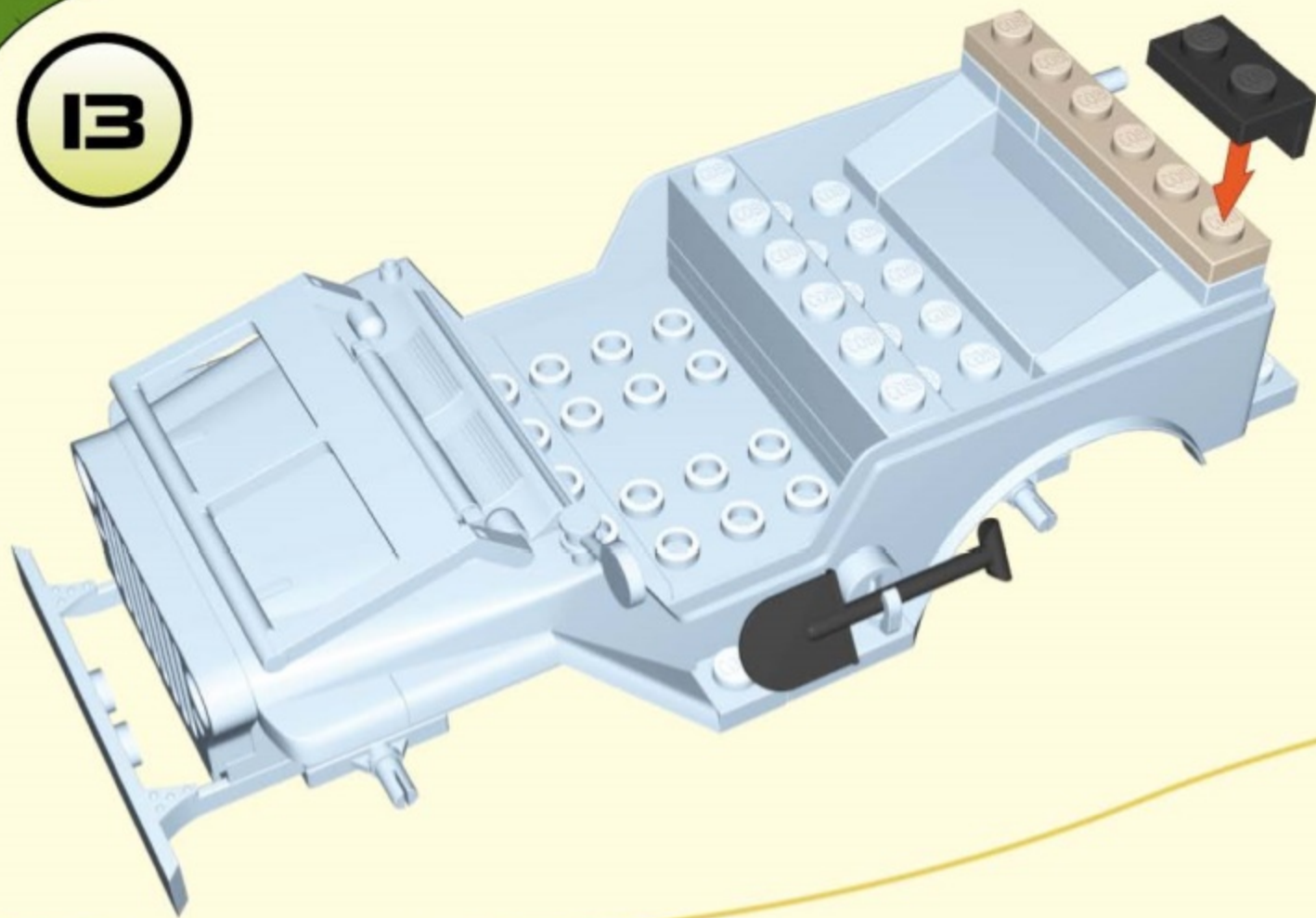
10

11



12

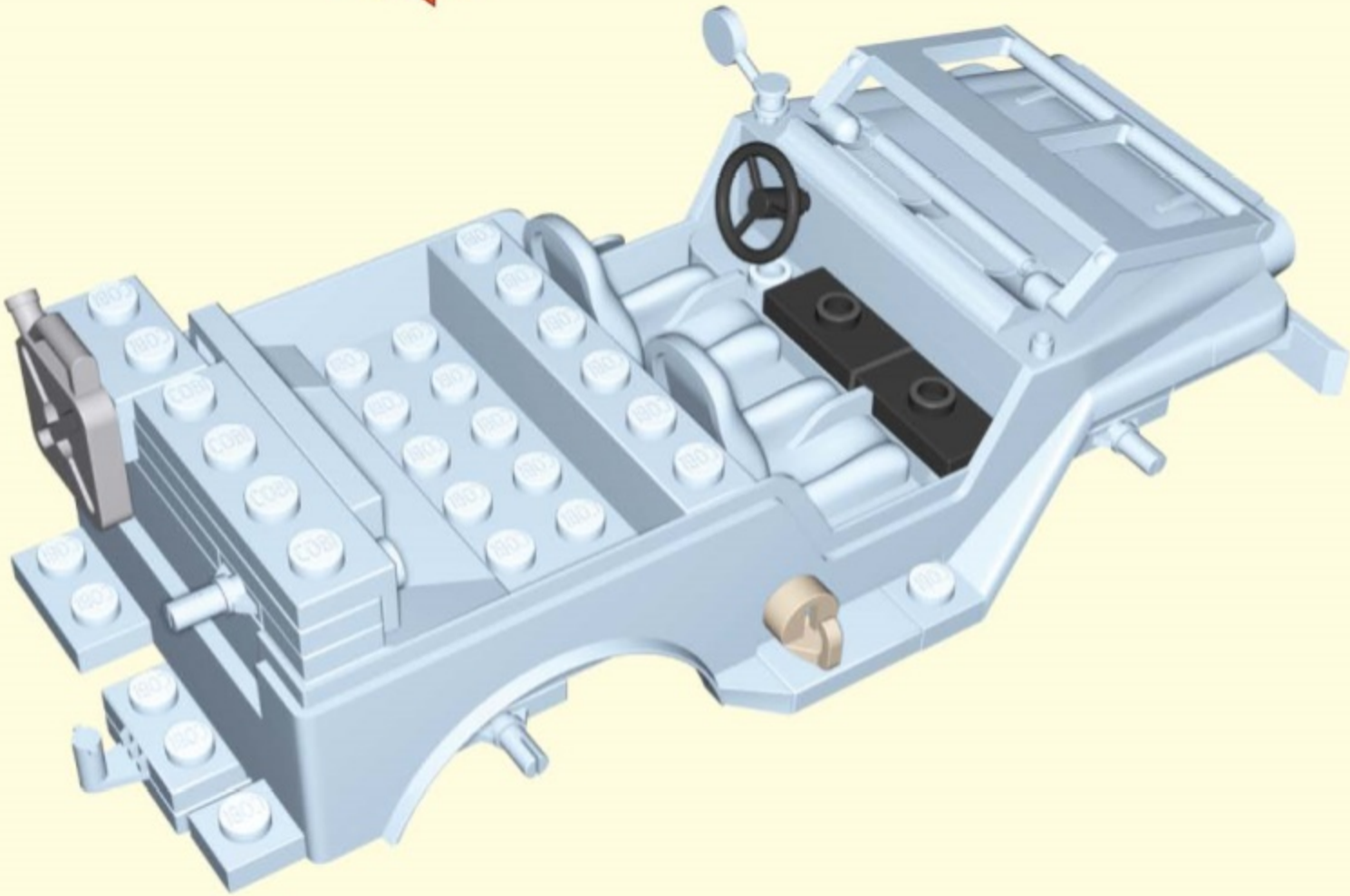
**13**







**14**

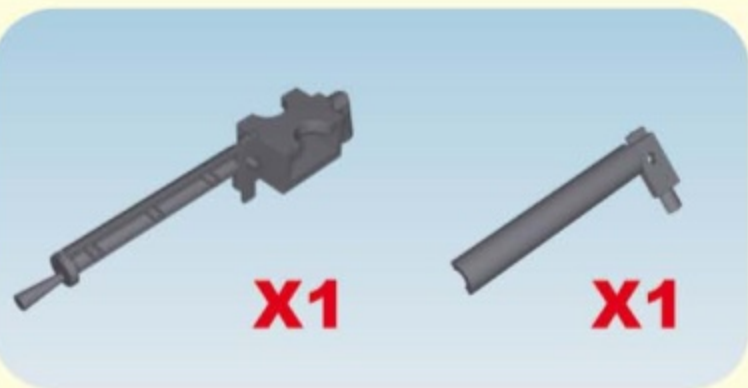
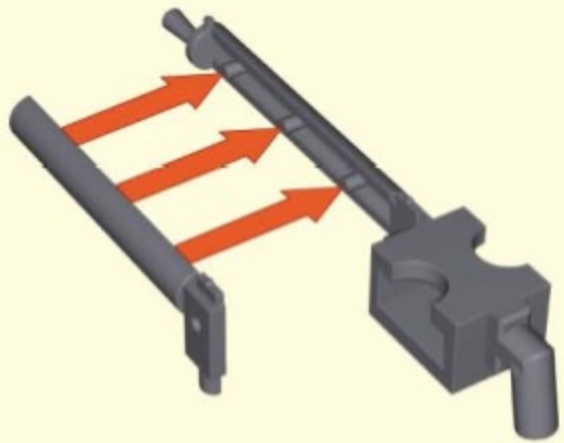


15



-  X1
-  X1
-  X1
-  X2

16

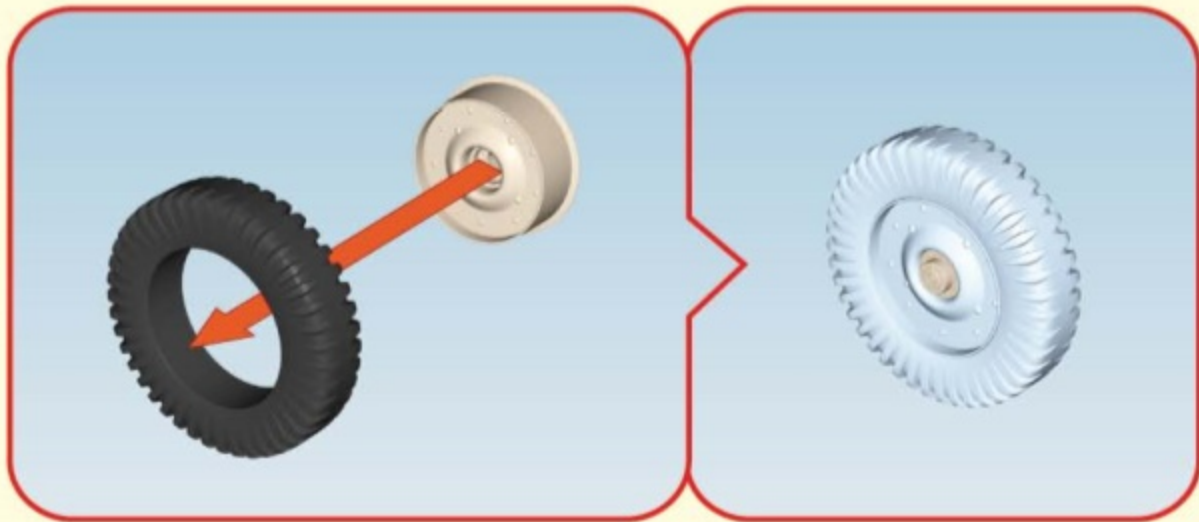
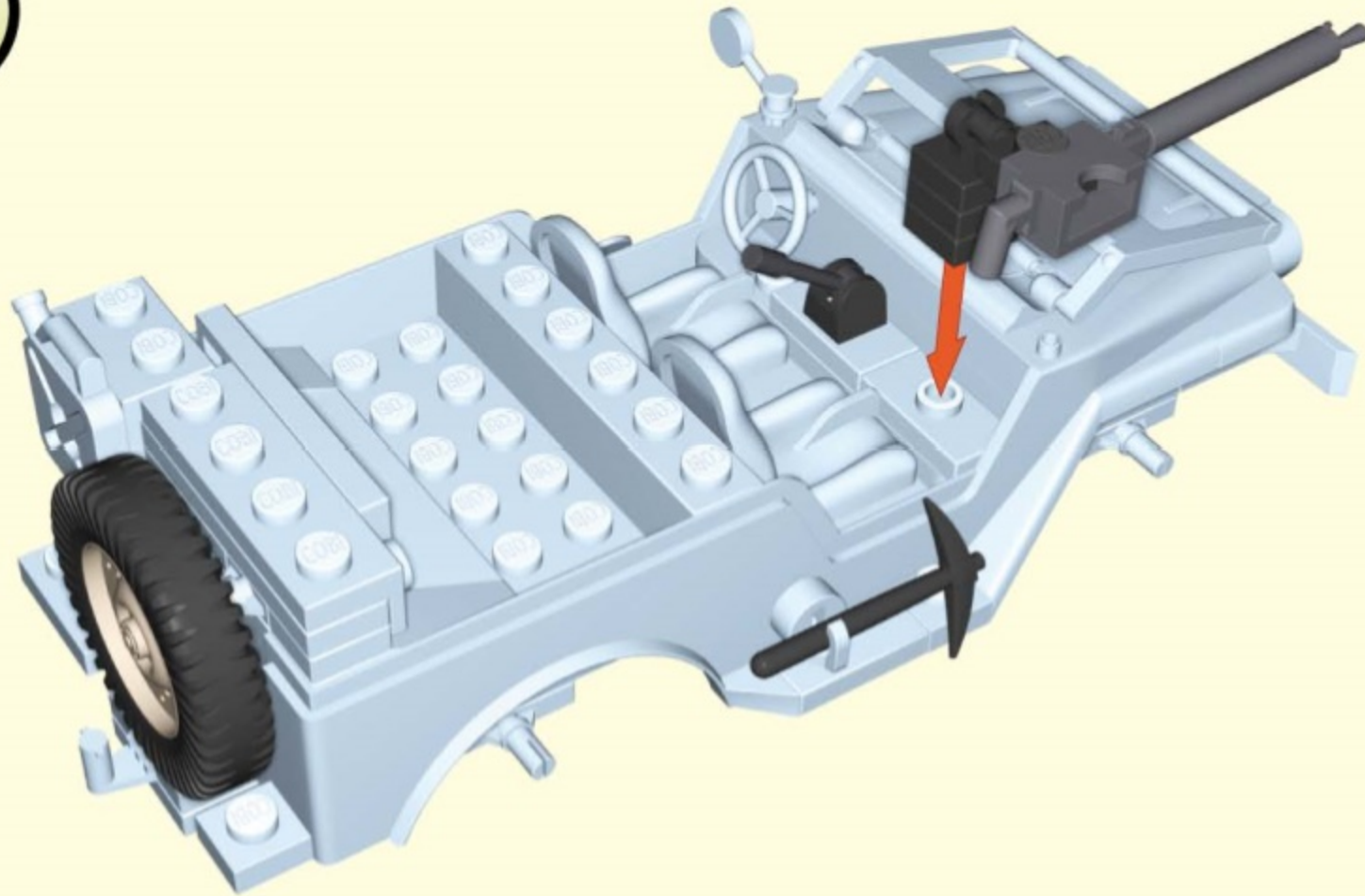


17



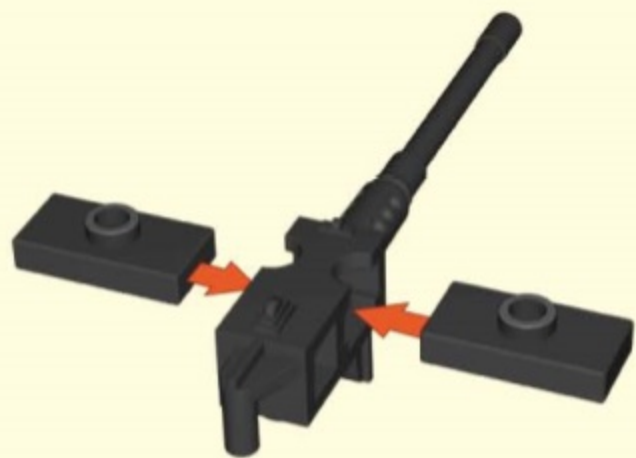
18





-  X1
-  X1
-  X1
-  X1
-  X1

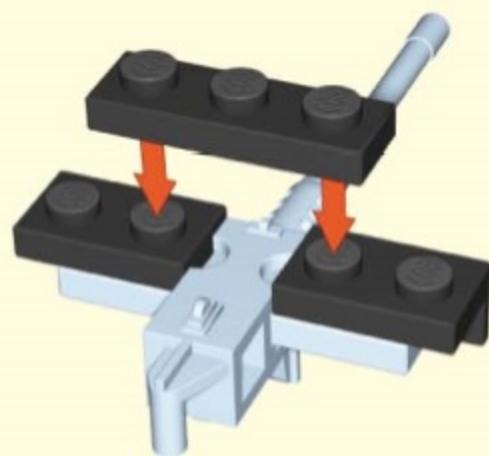
20



X1

X2

21

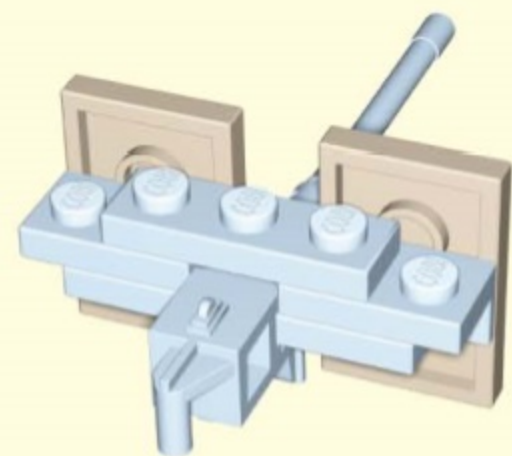


X2



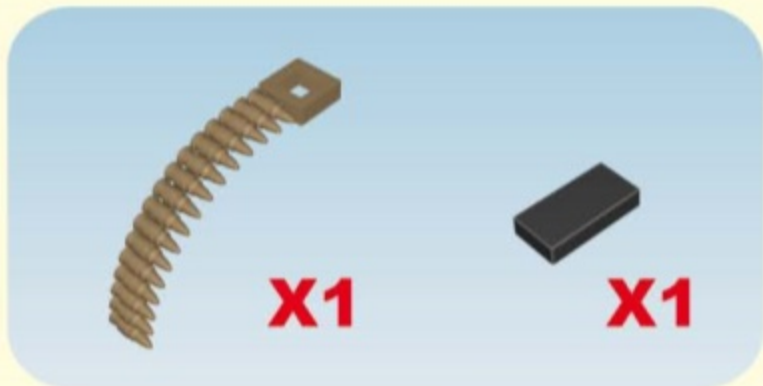
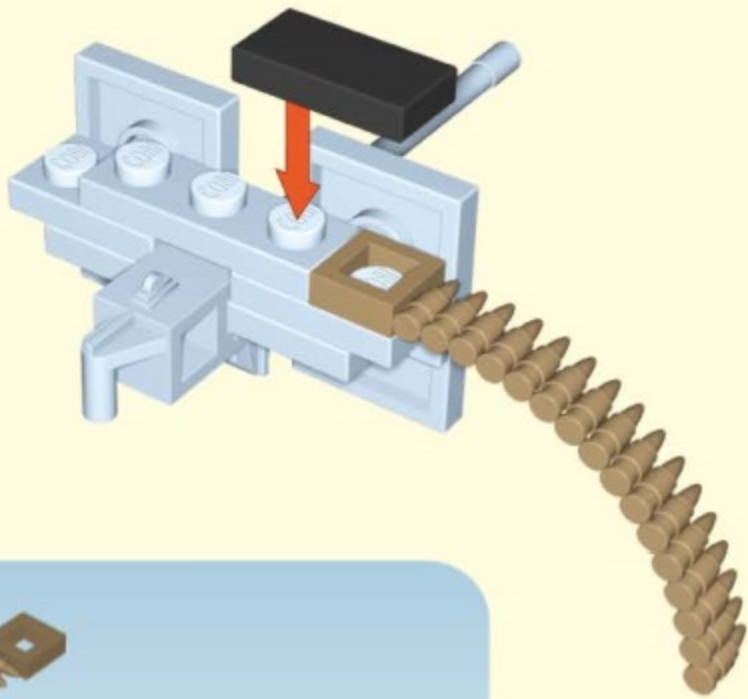
X1

22

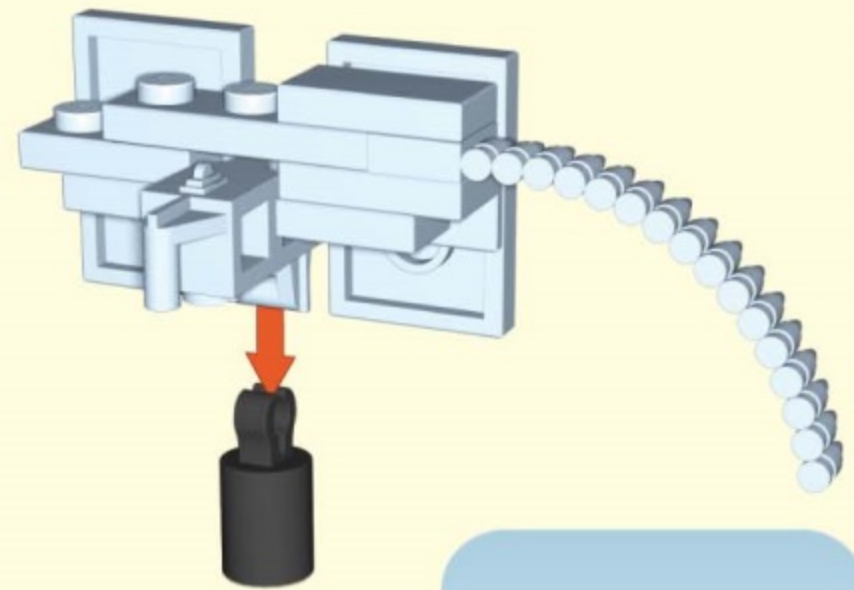


X2

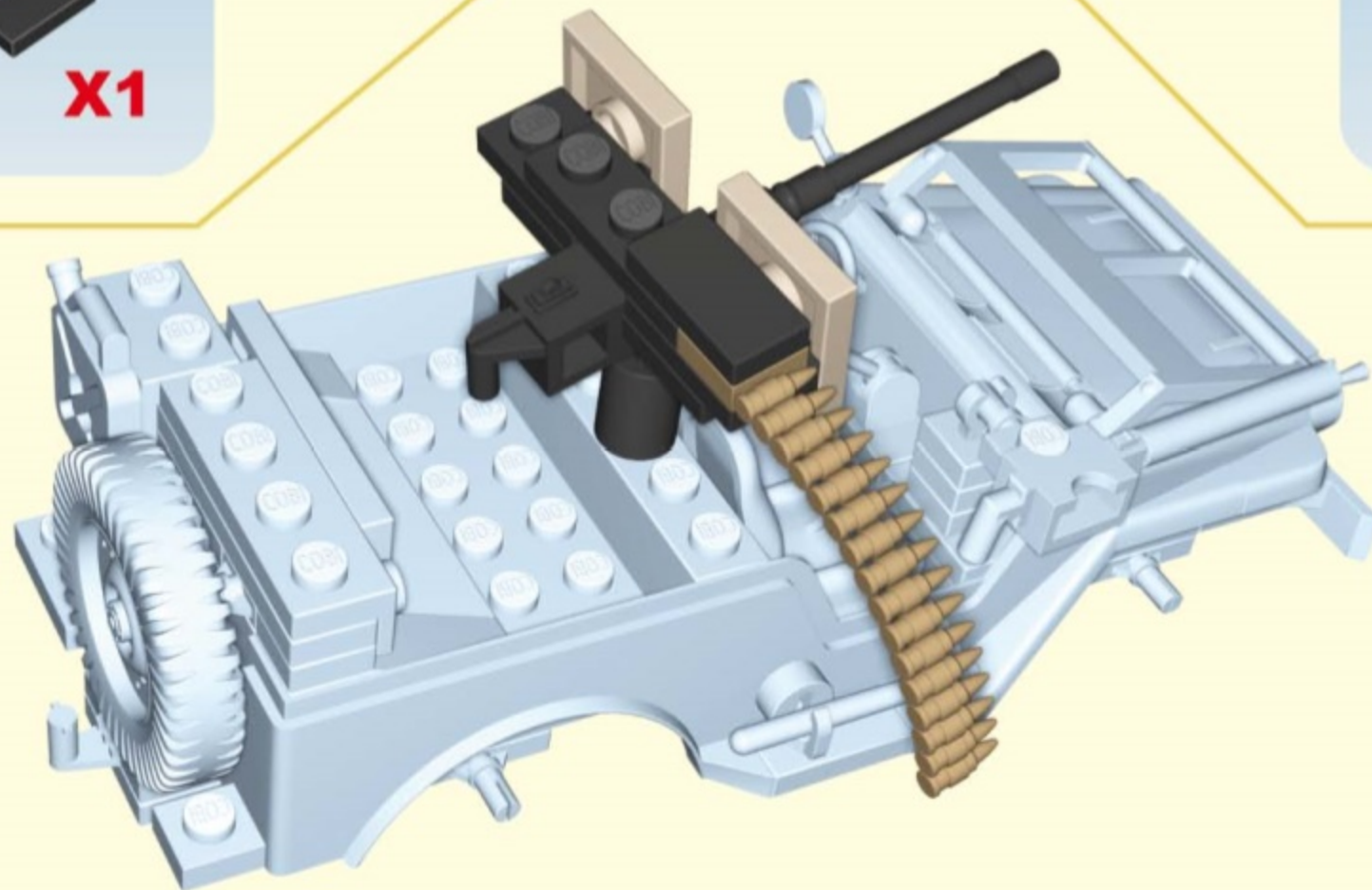
23

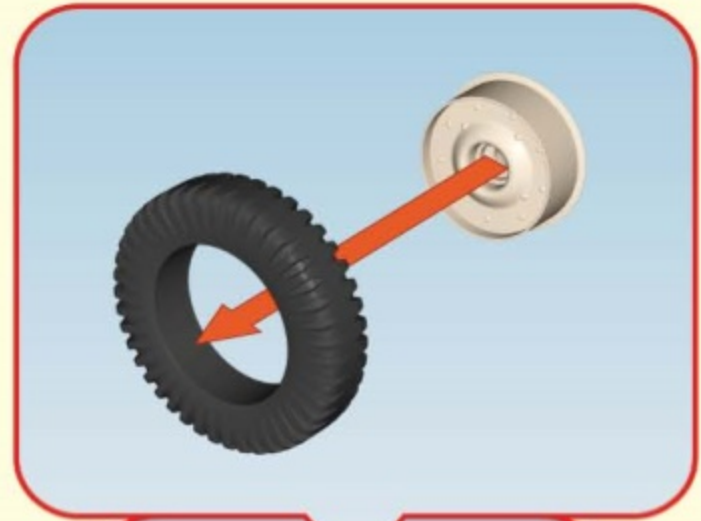
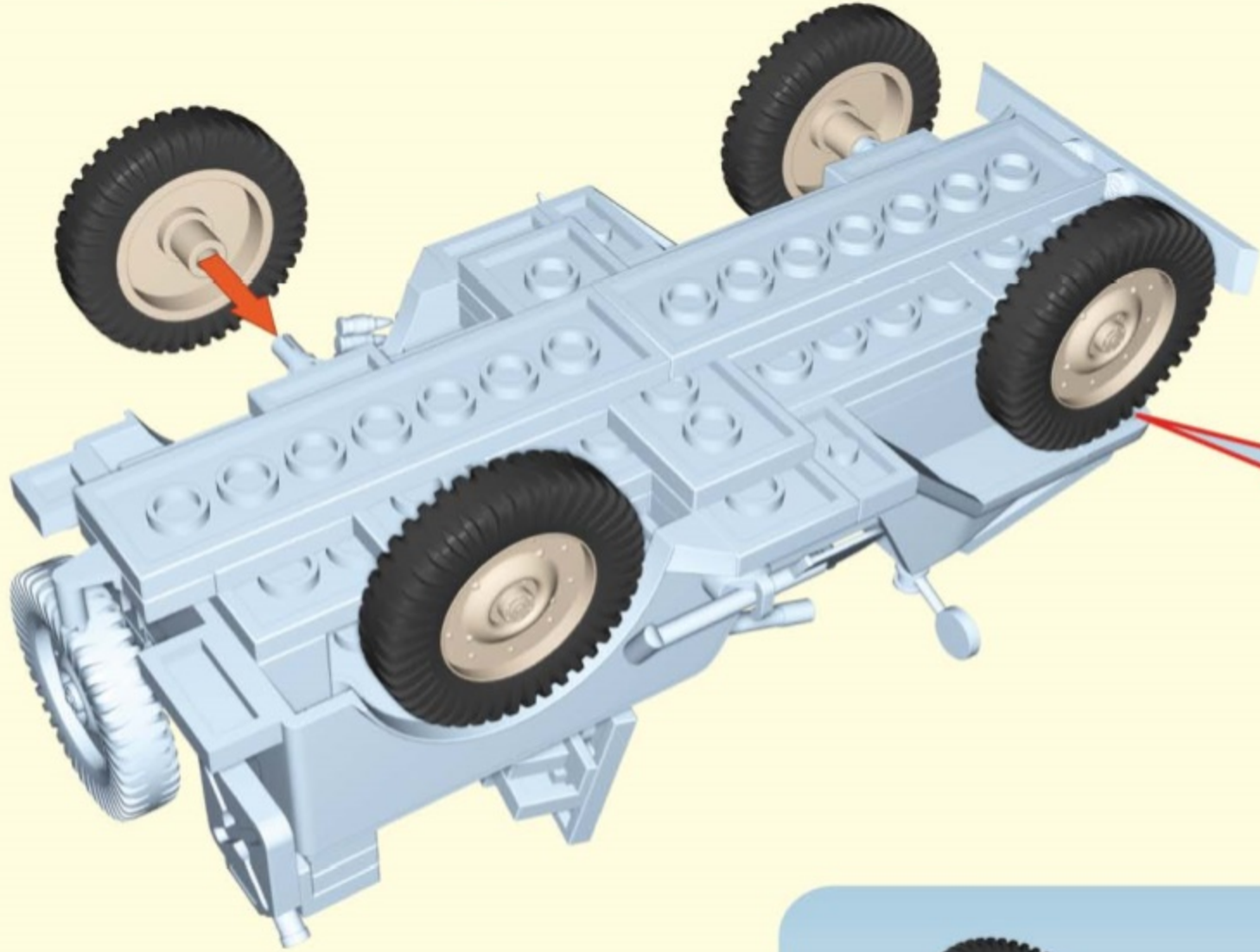


24



25









**WILLYS JEEP® MB NAVY  
24193**



**WILLYS JEEP® MB WITH HELICOPTER  
24254**



**WILLYS JEEP® MB BARRACKS WITH CHECKPOINT  
24302**

**12-24093-84**