



Jeep®

Jeep, the Jeep grille and related logos, vehicle model names and trade dress are trademarks of Chrysler Group LLC and used under license by Cobi.
©2014 Chrysler Group LLC.



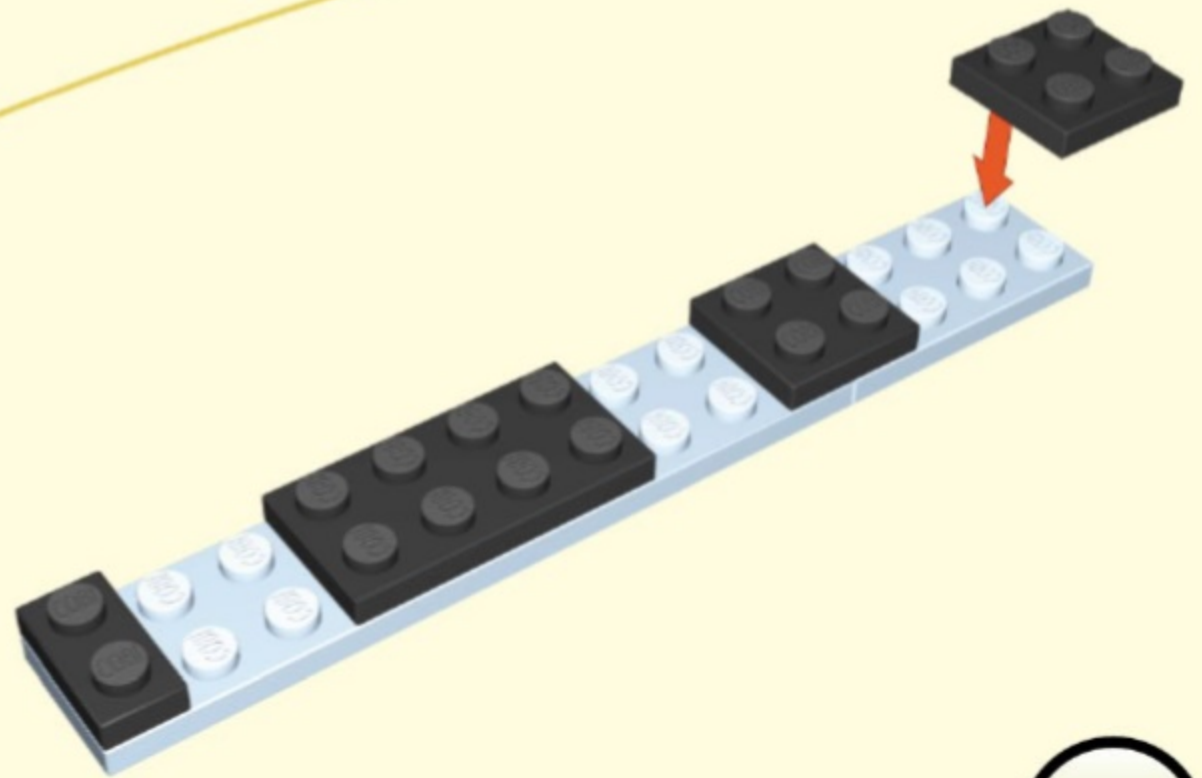
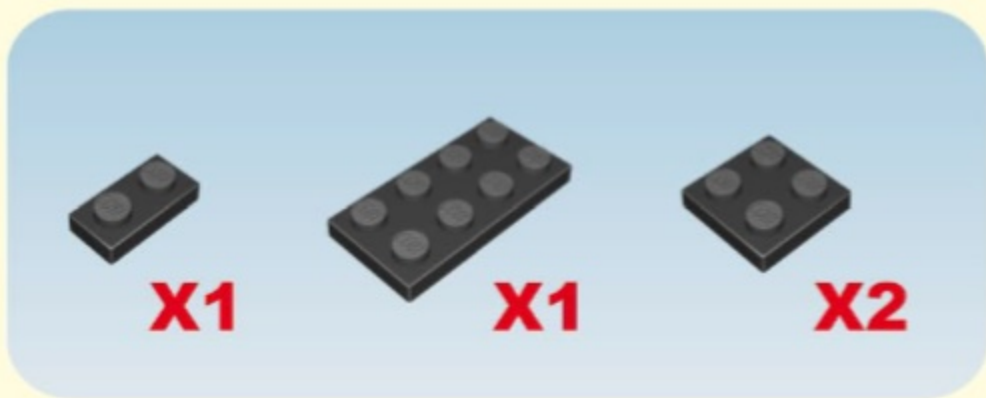
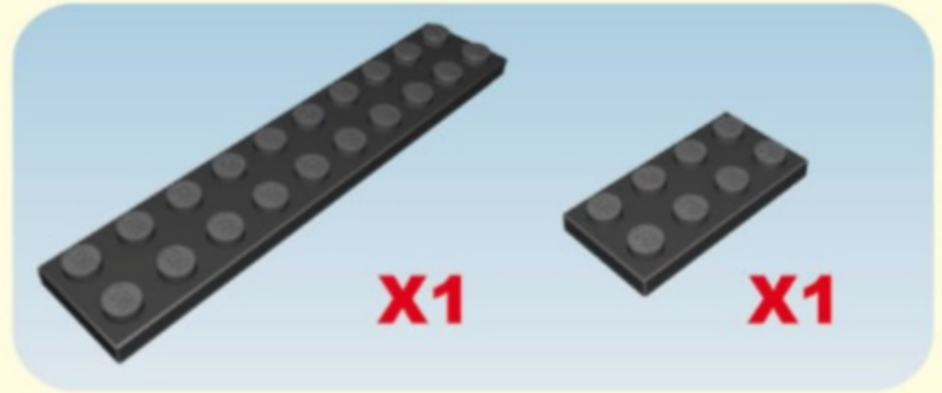
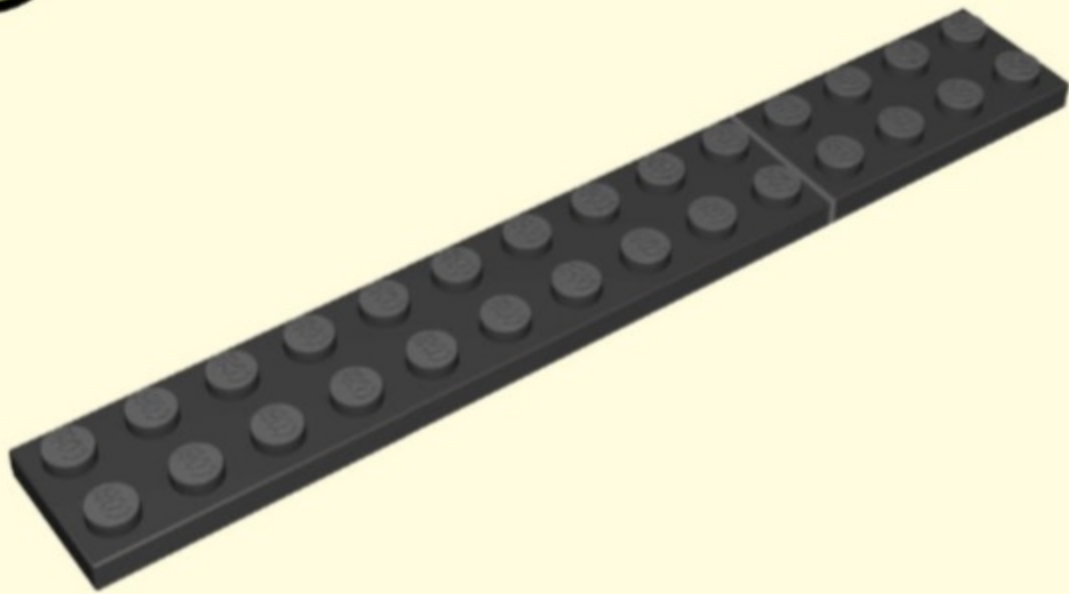
Printed in EU



WARNING: CHOKING HAZARD-
Toy contains small parts.
Not for children under 3 years.

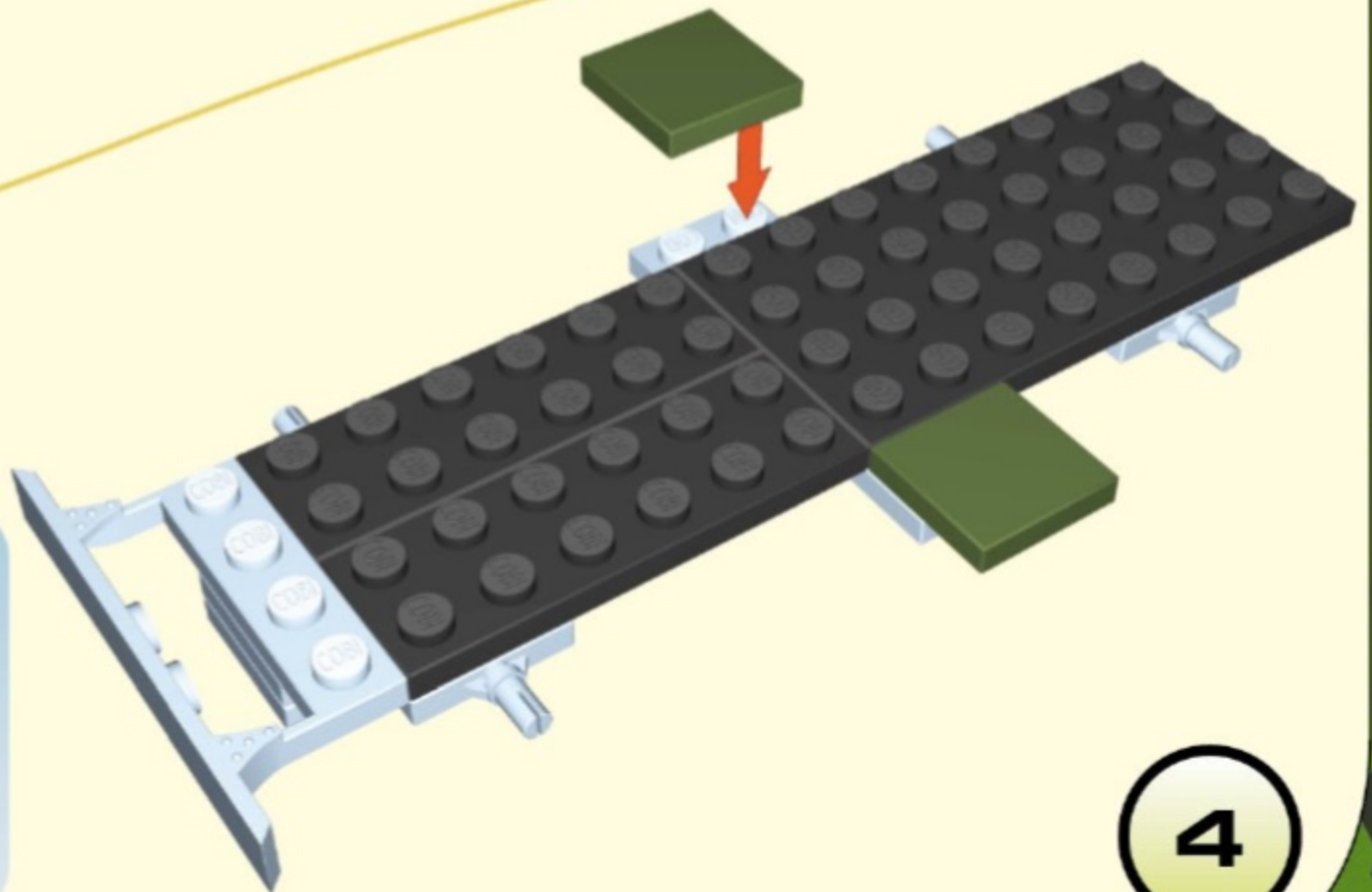
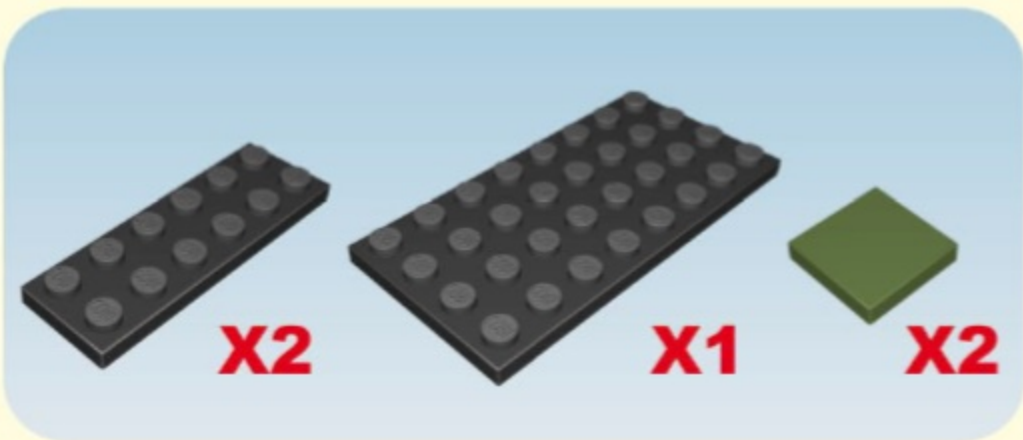
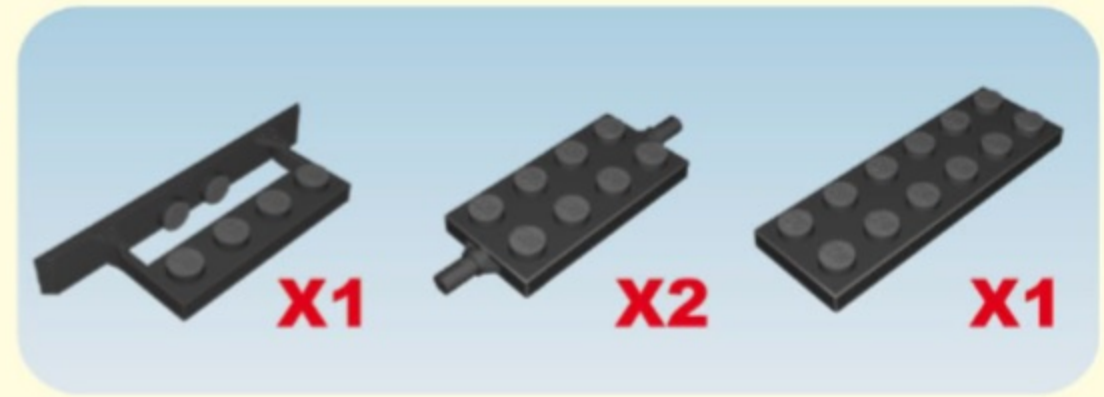
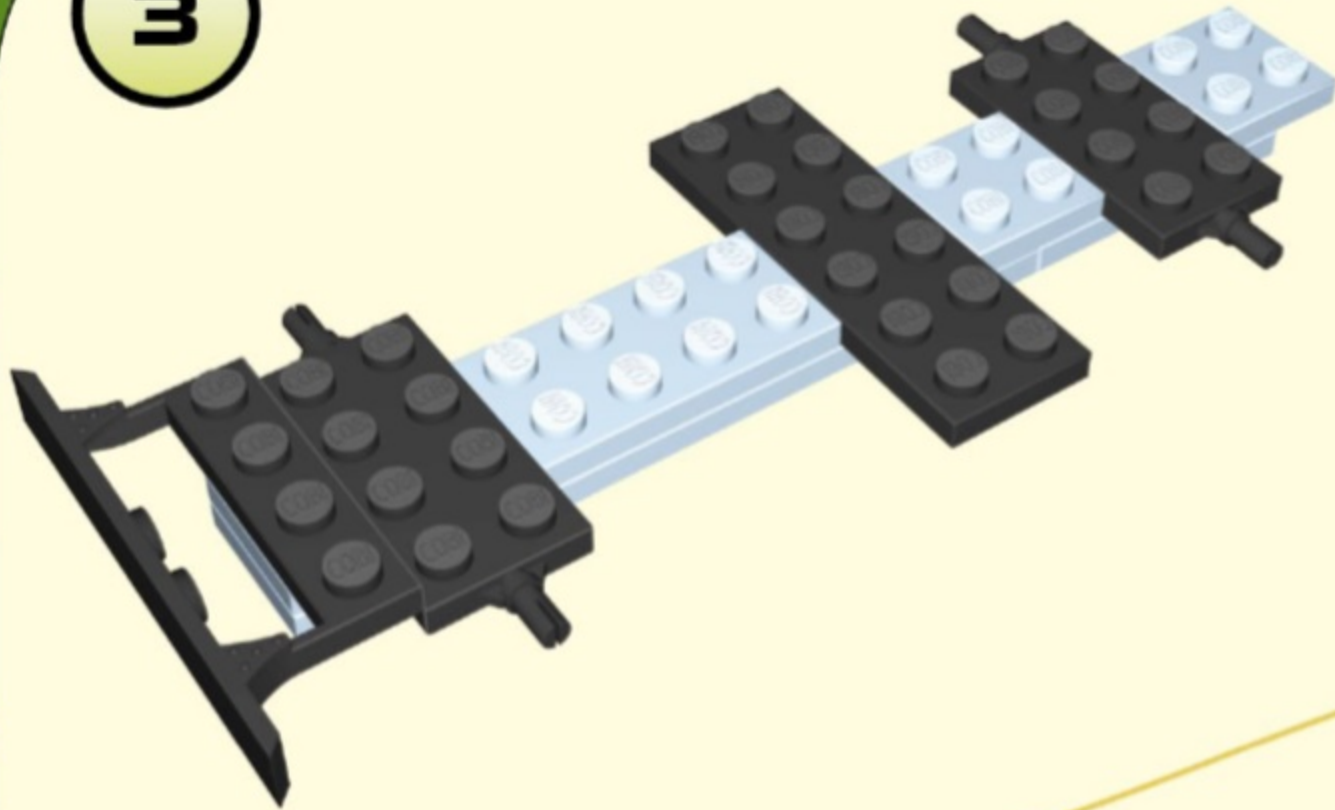


1



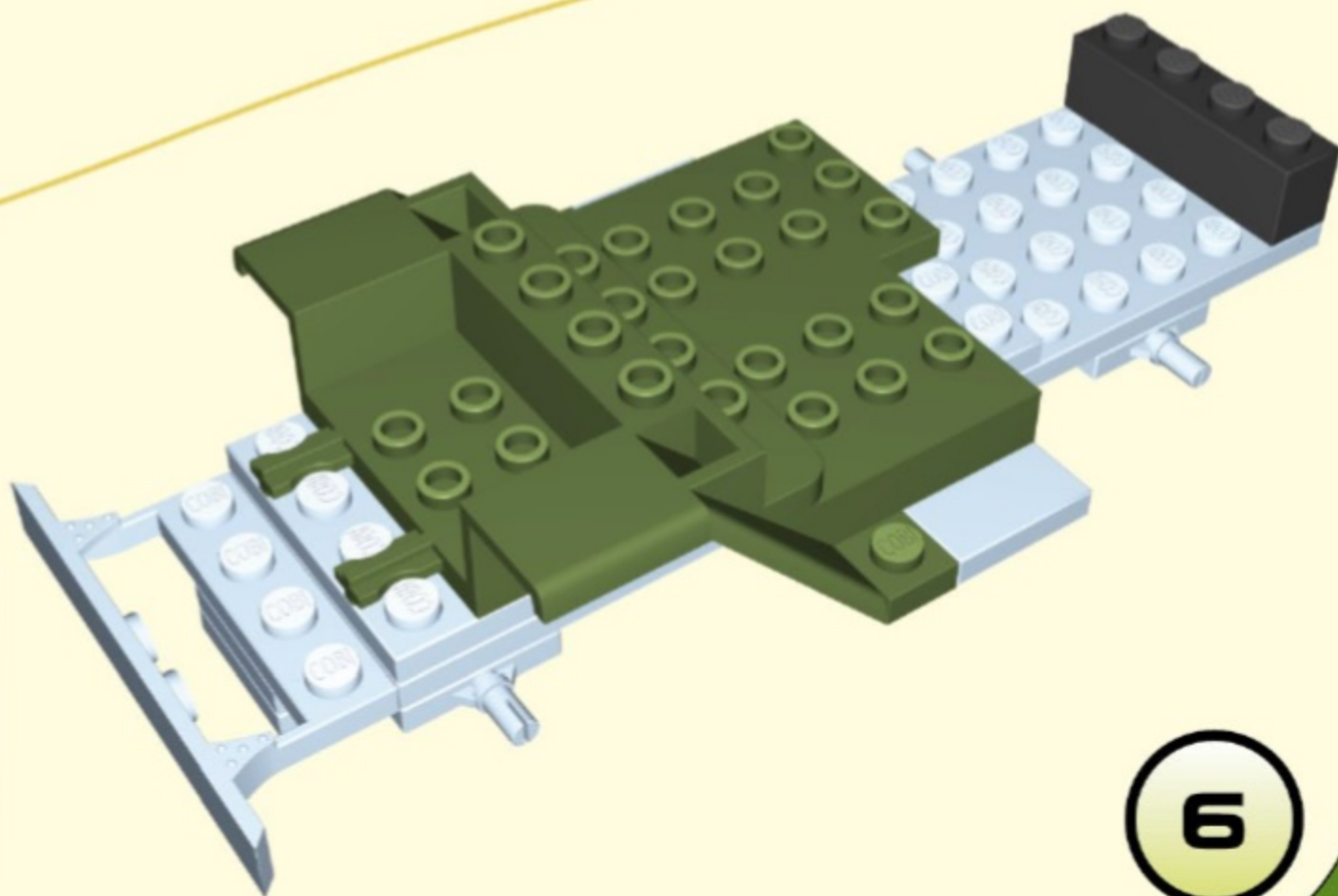
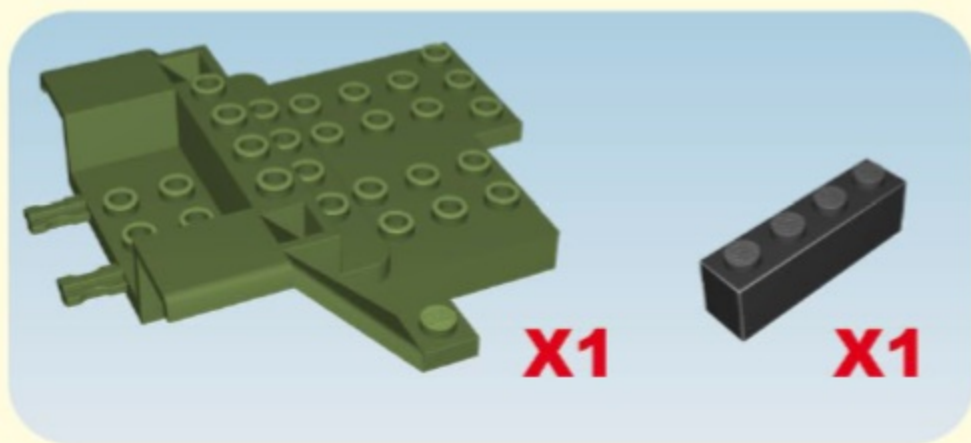
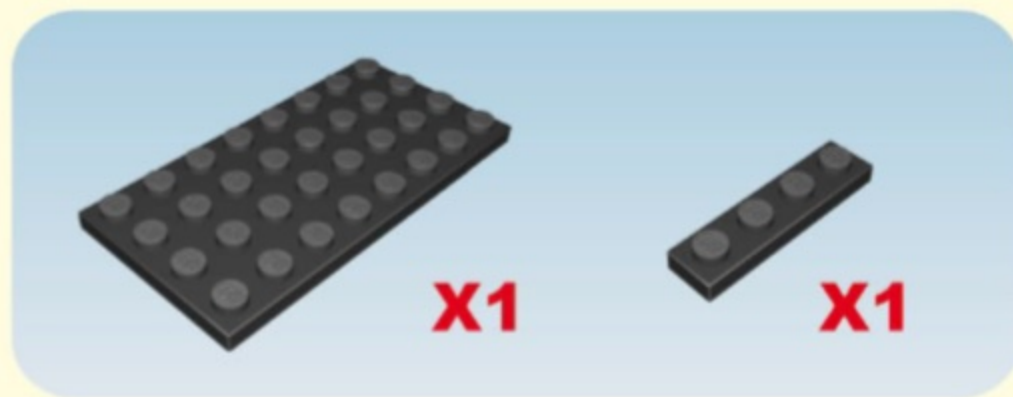
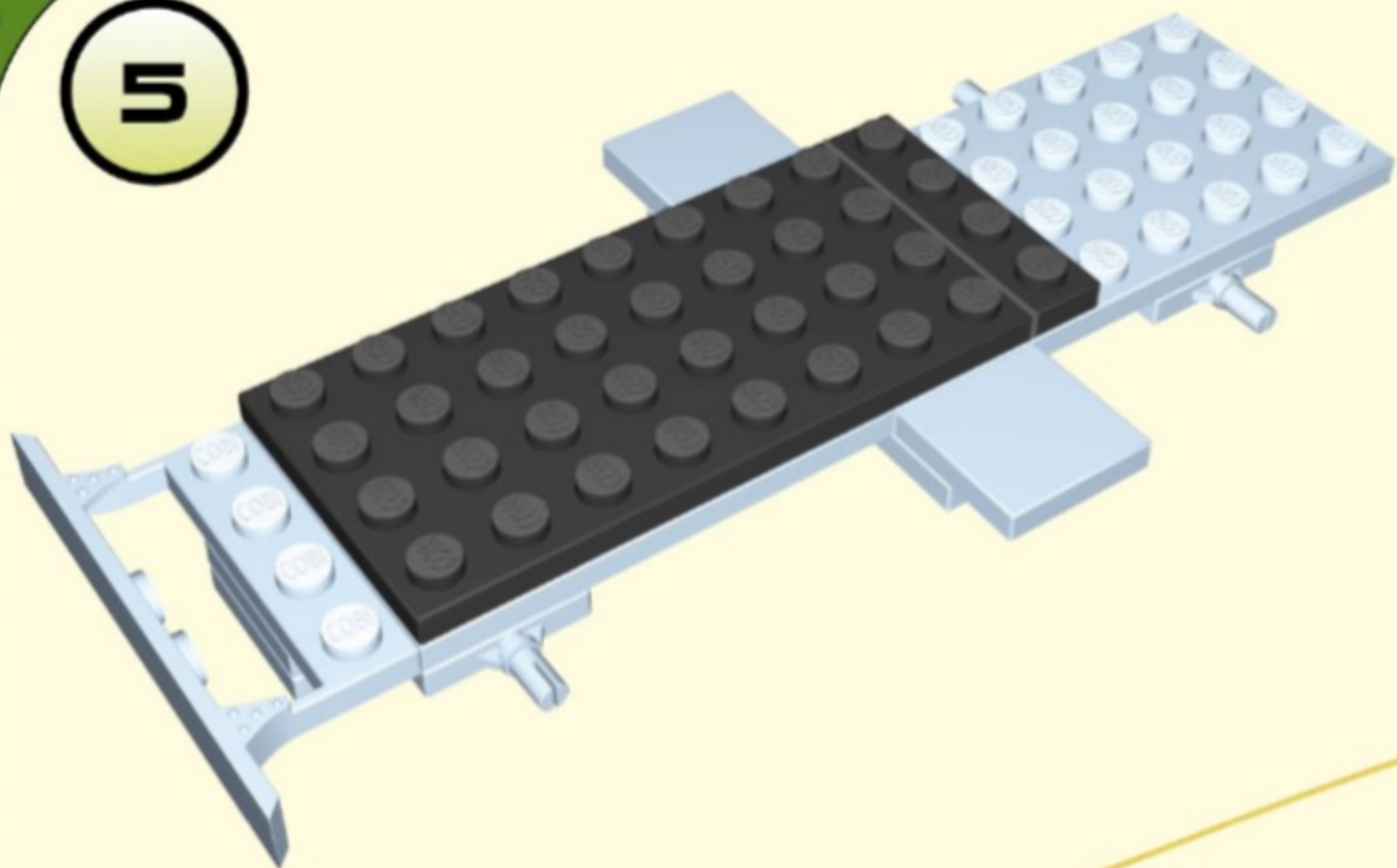
2

3



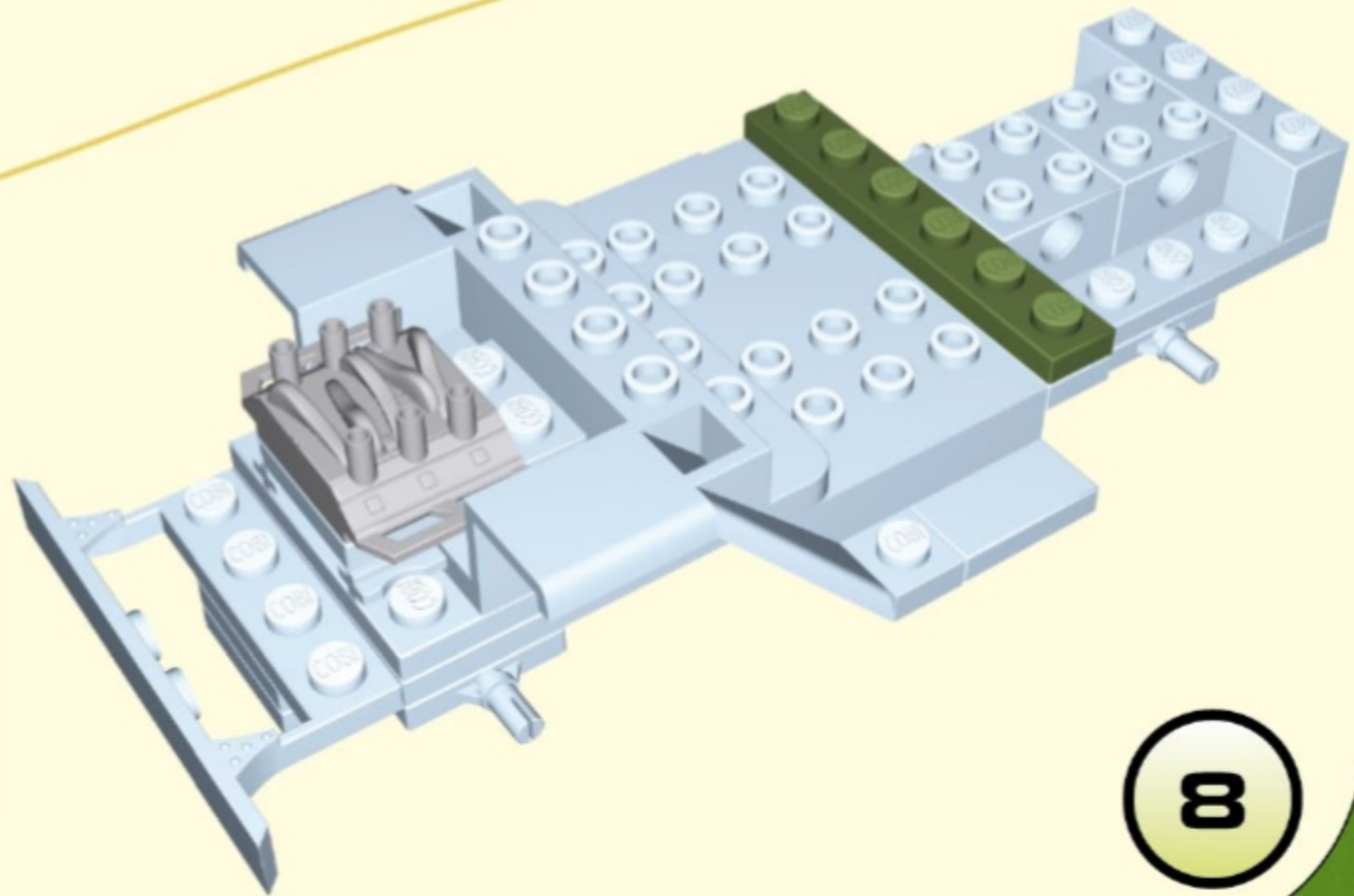
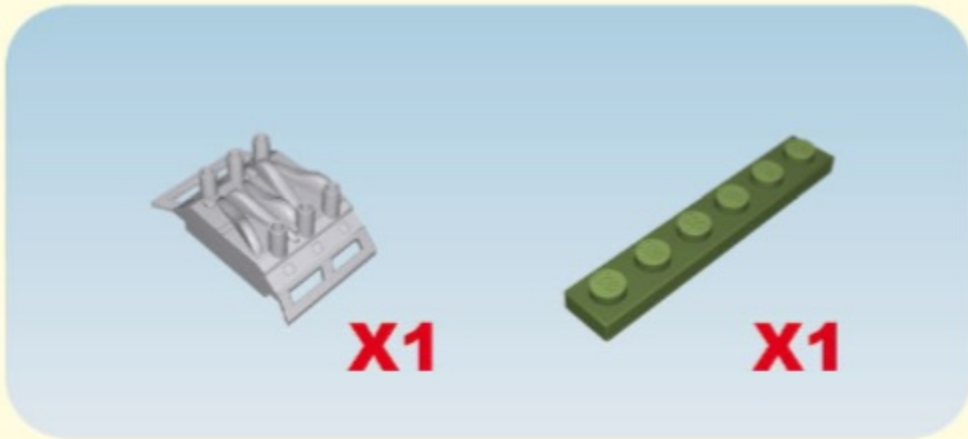
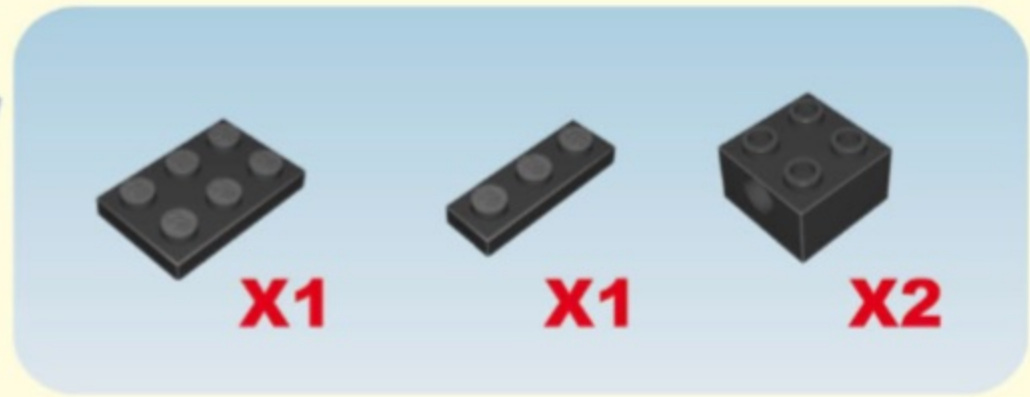
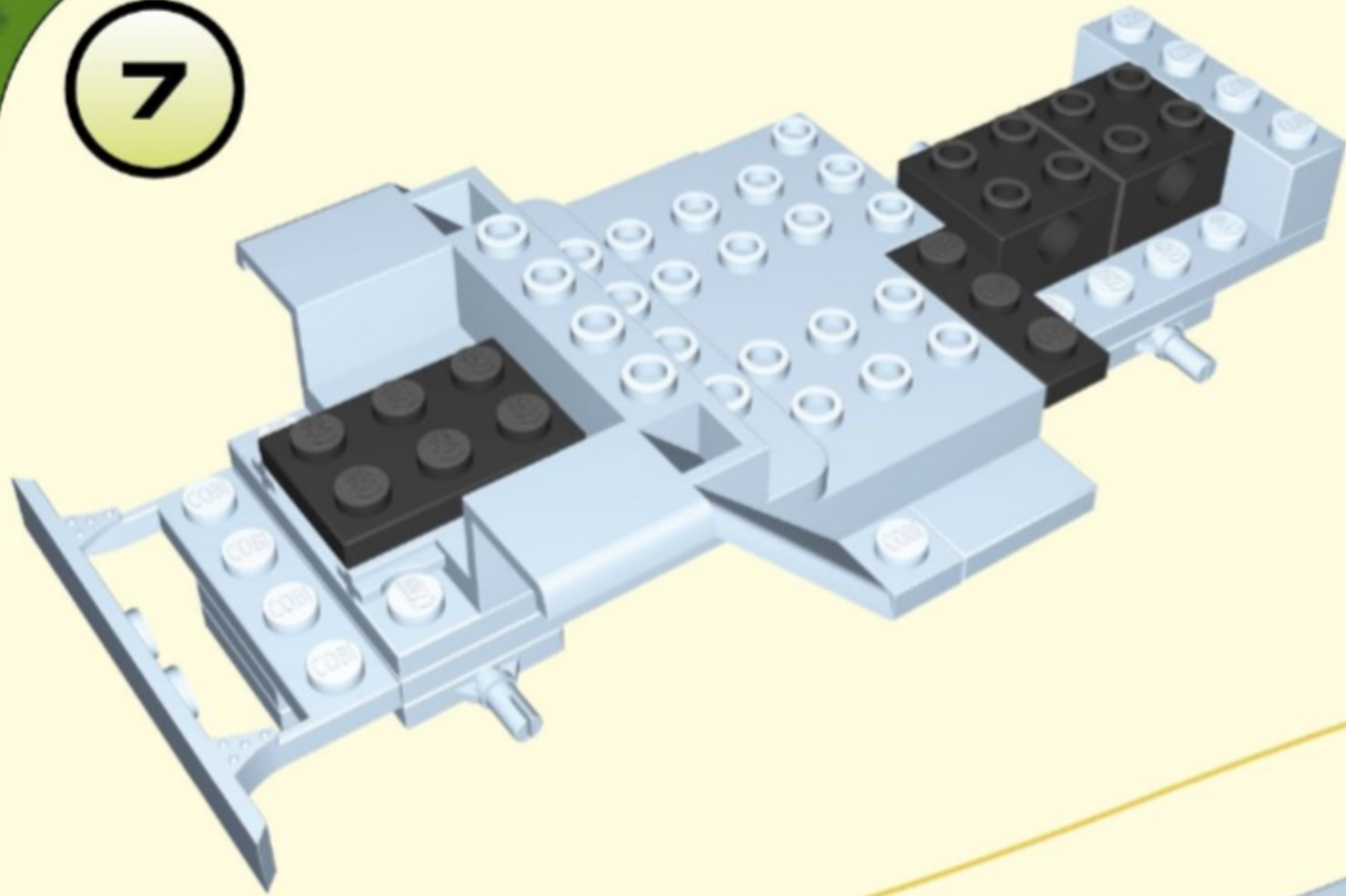
4

5



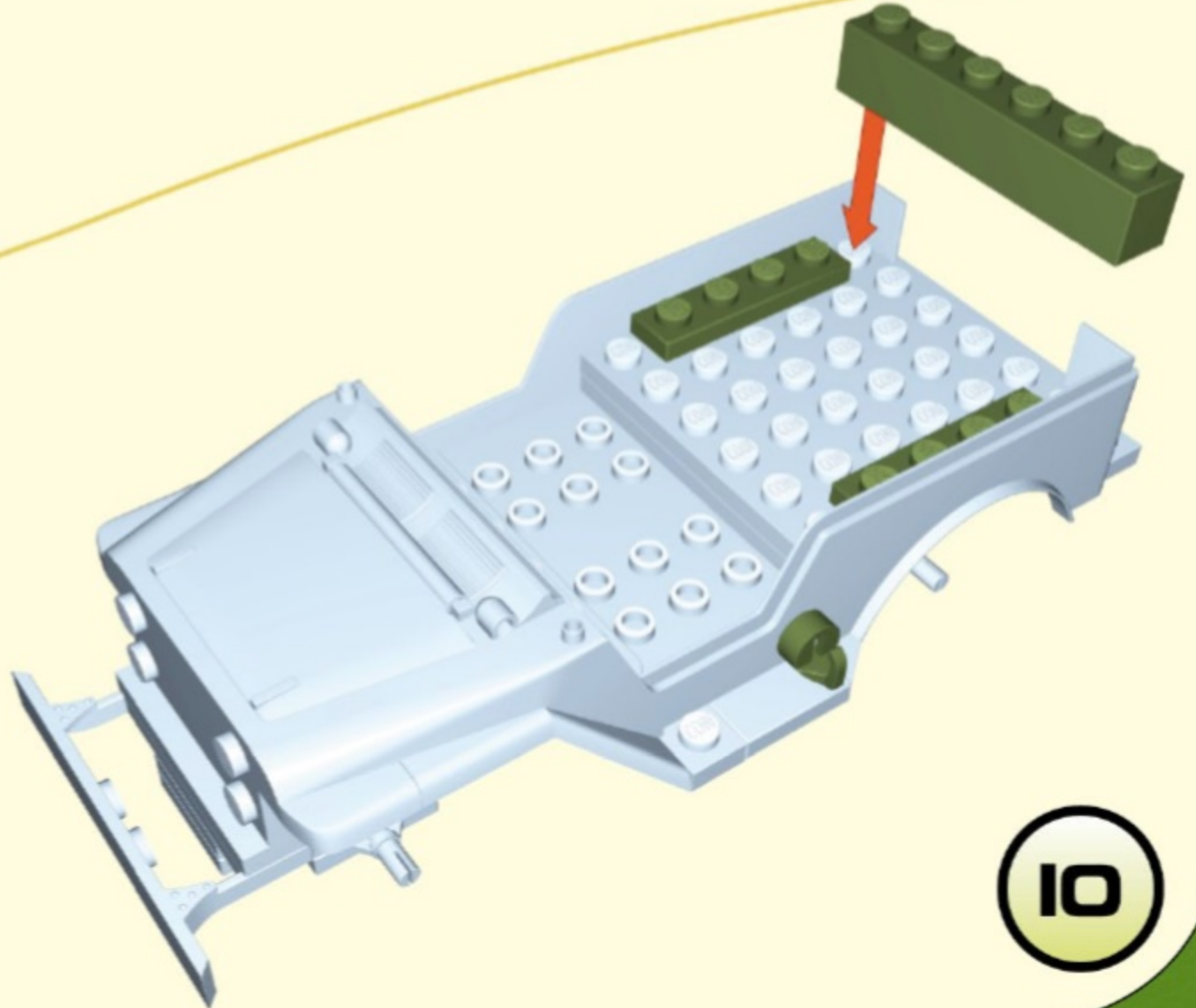
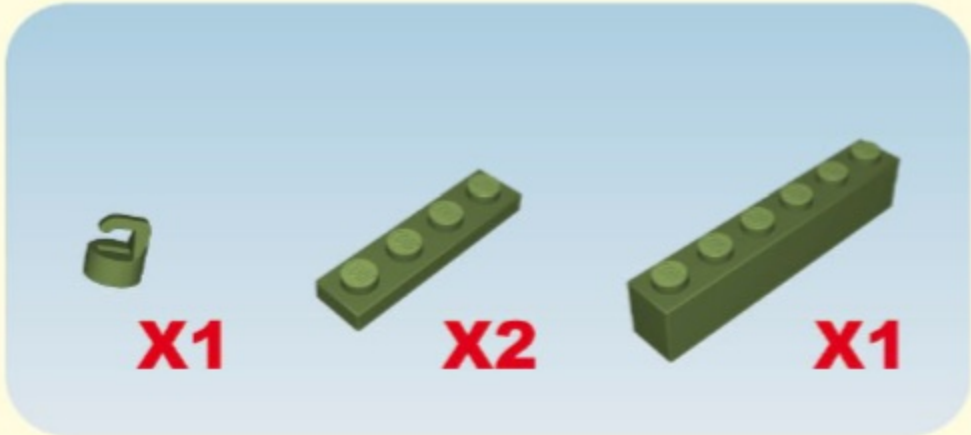
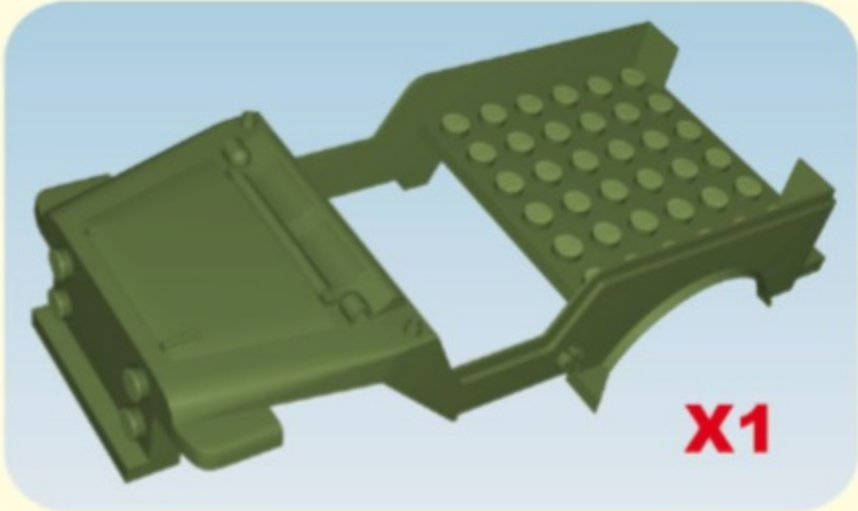
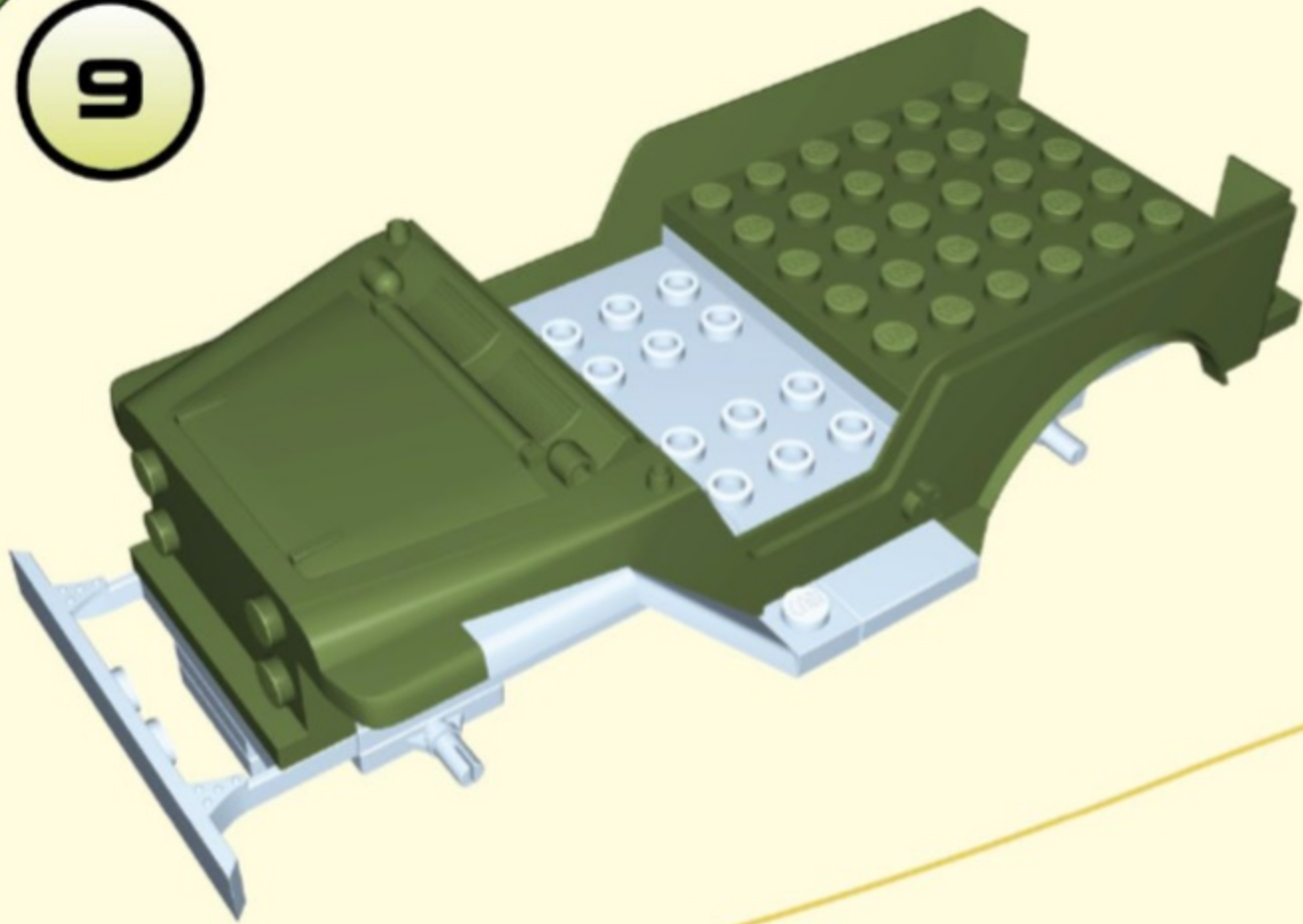
6

7

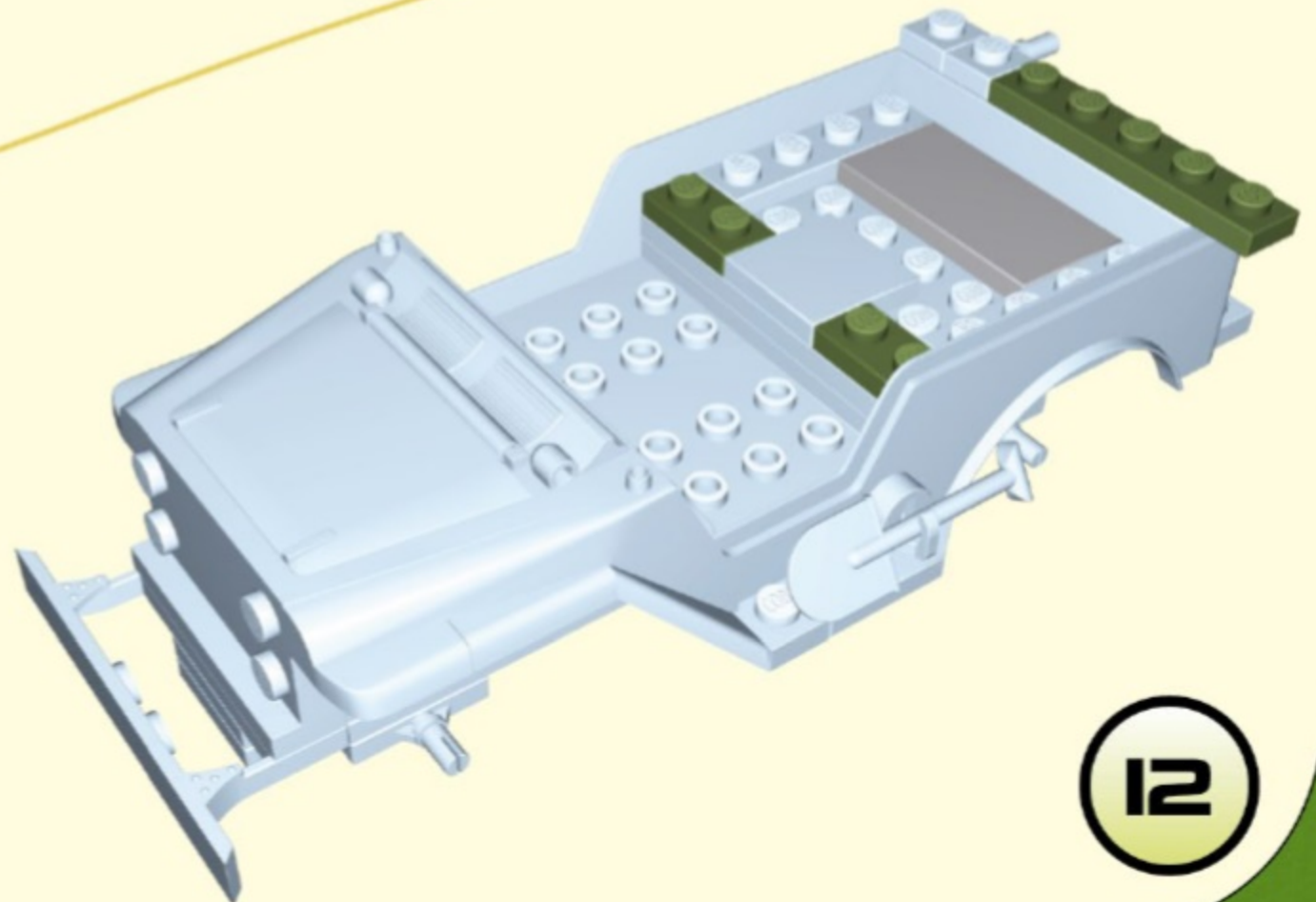
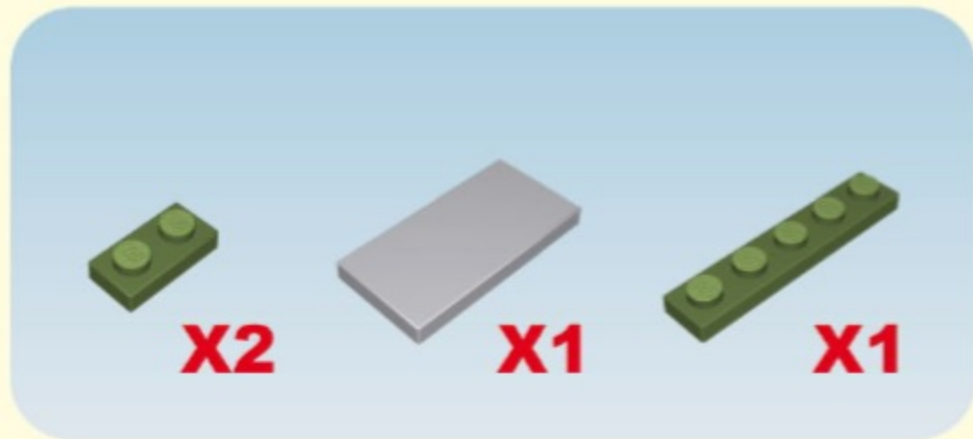
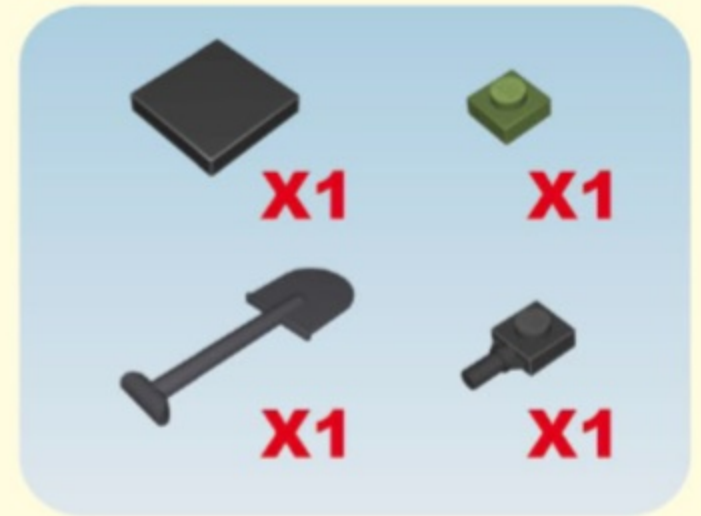
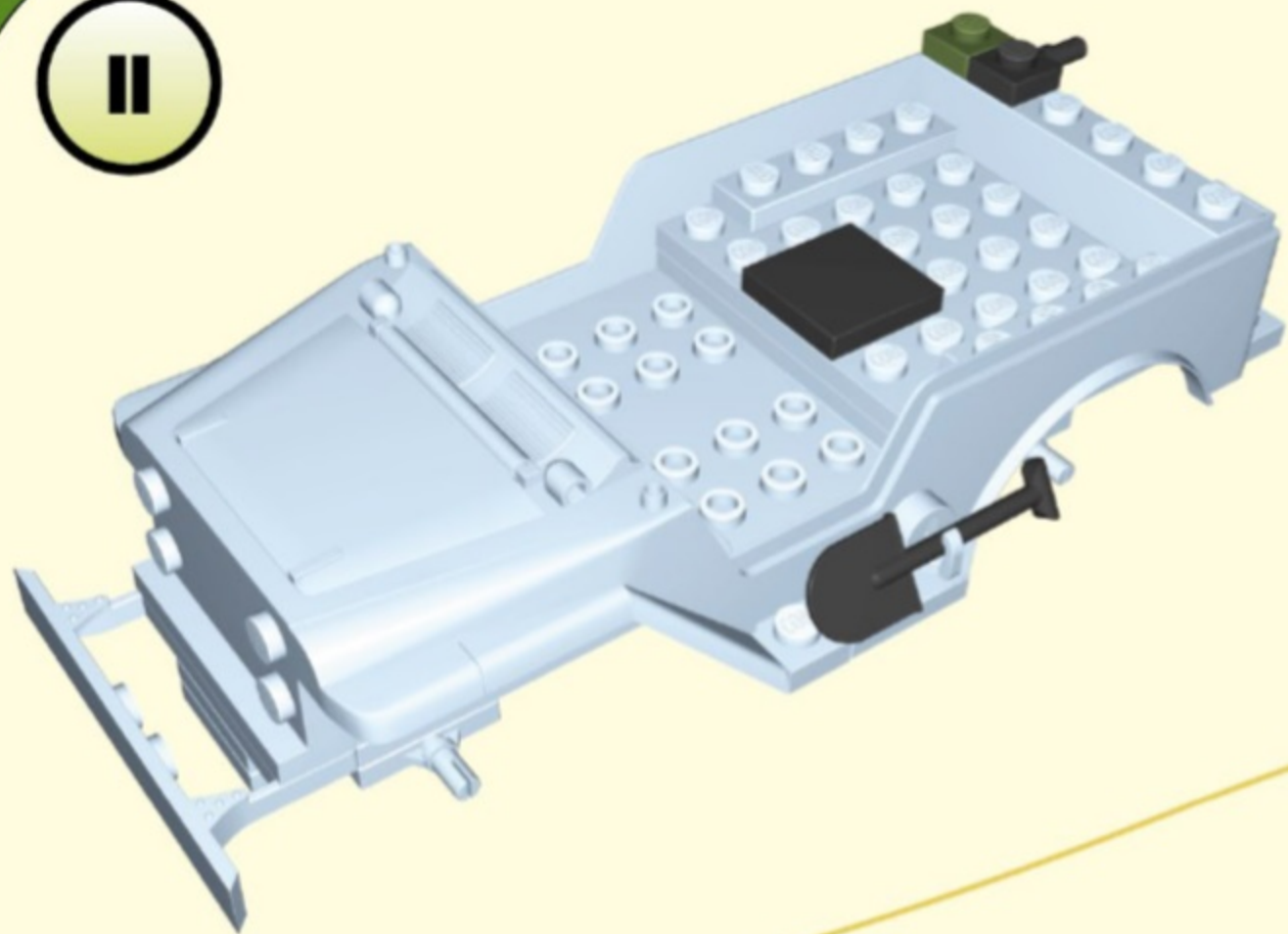


8

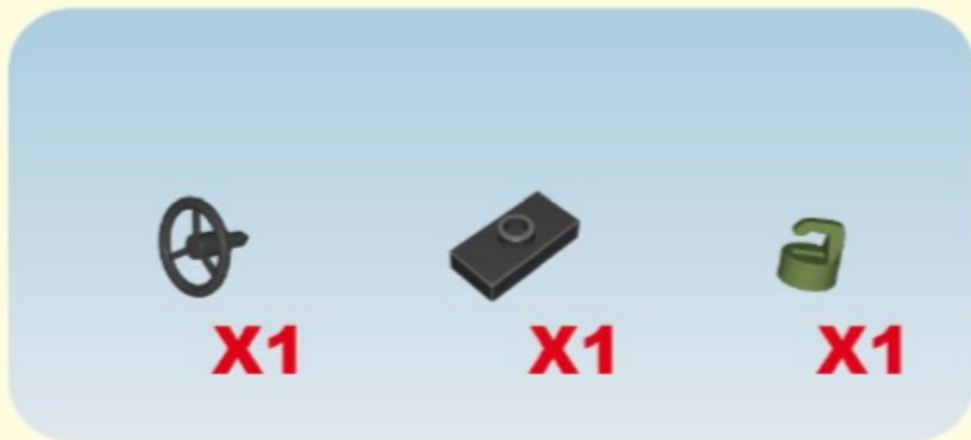
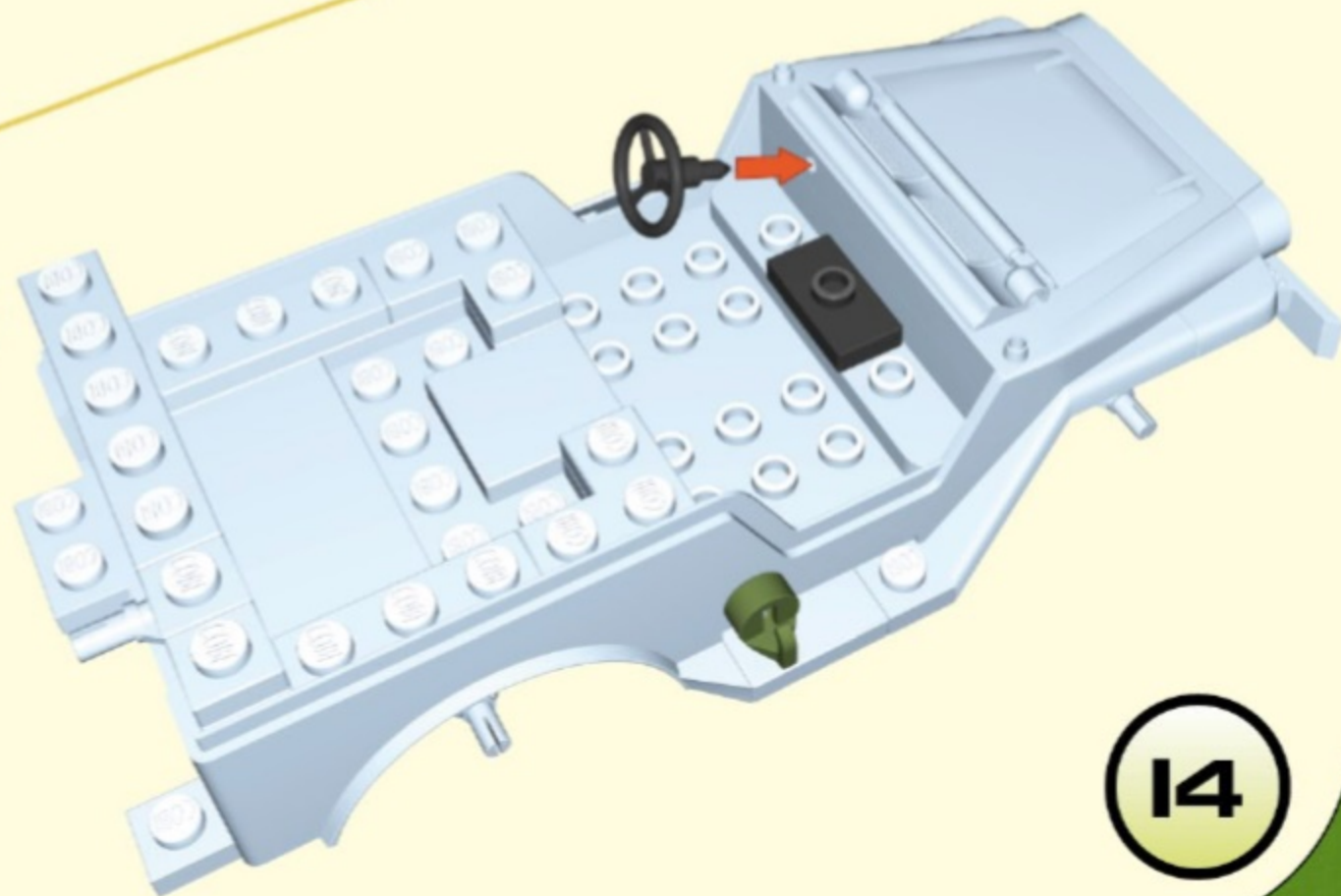
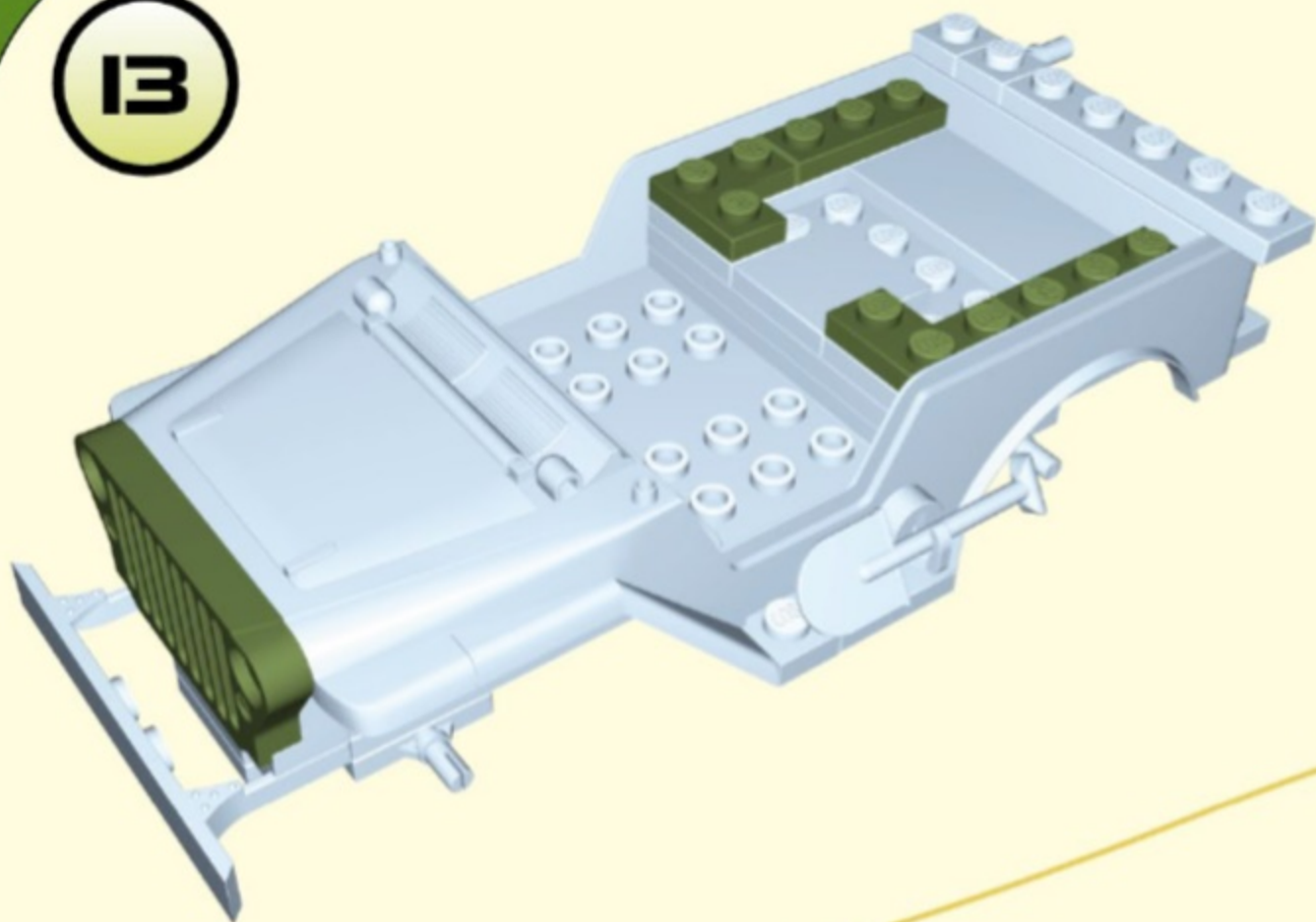
9



10

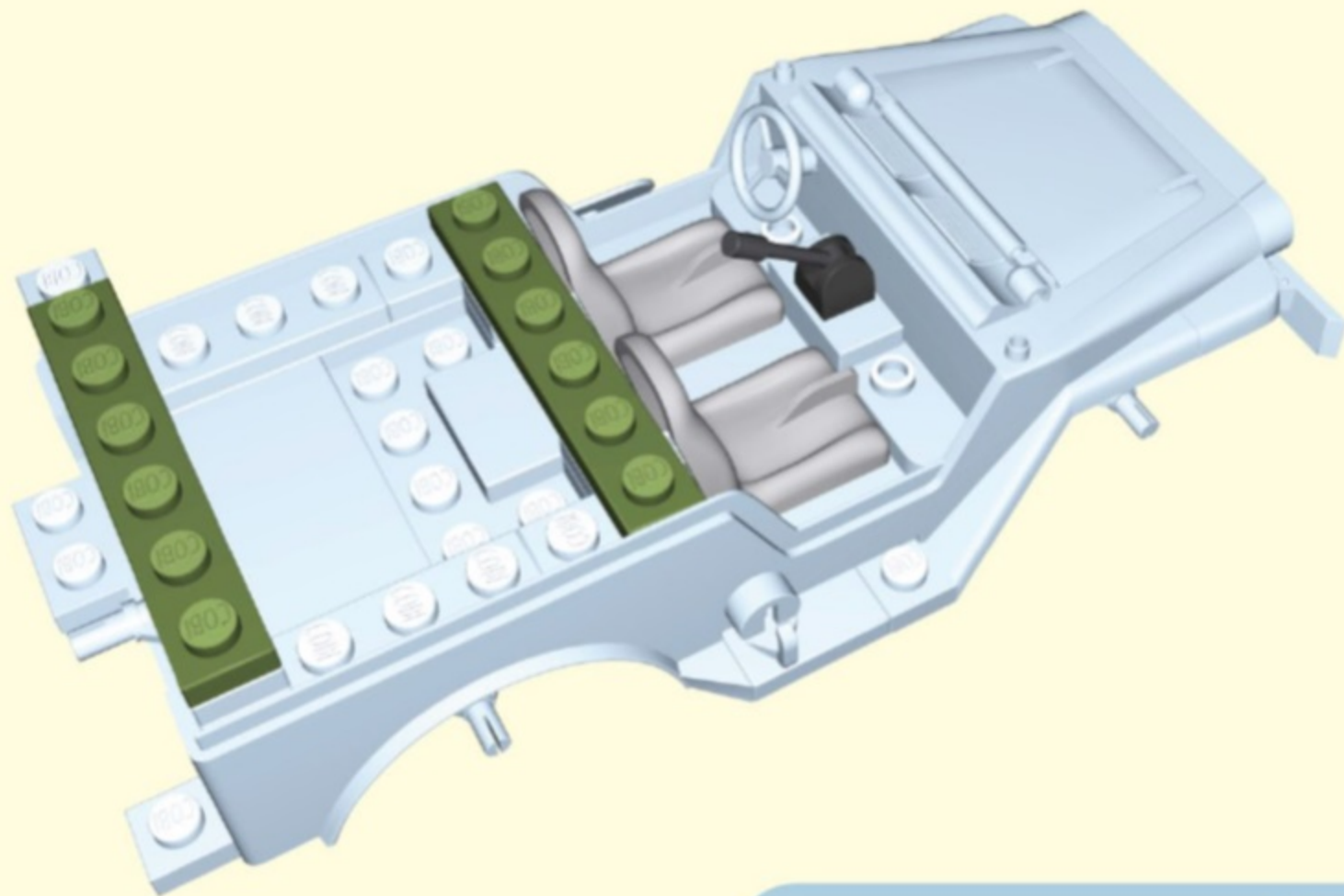


13

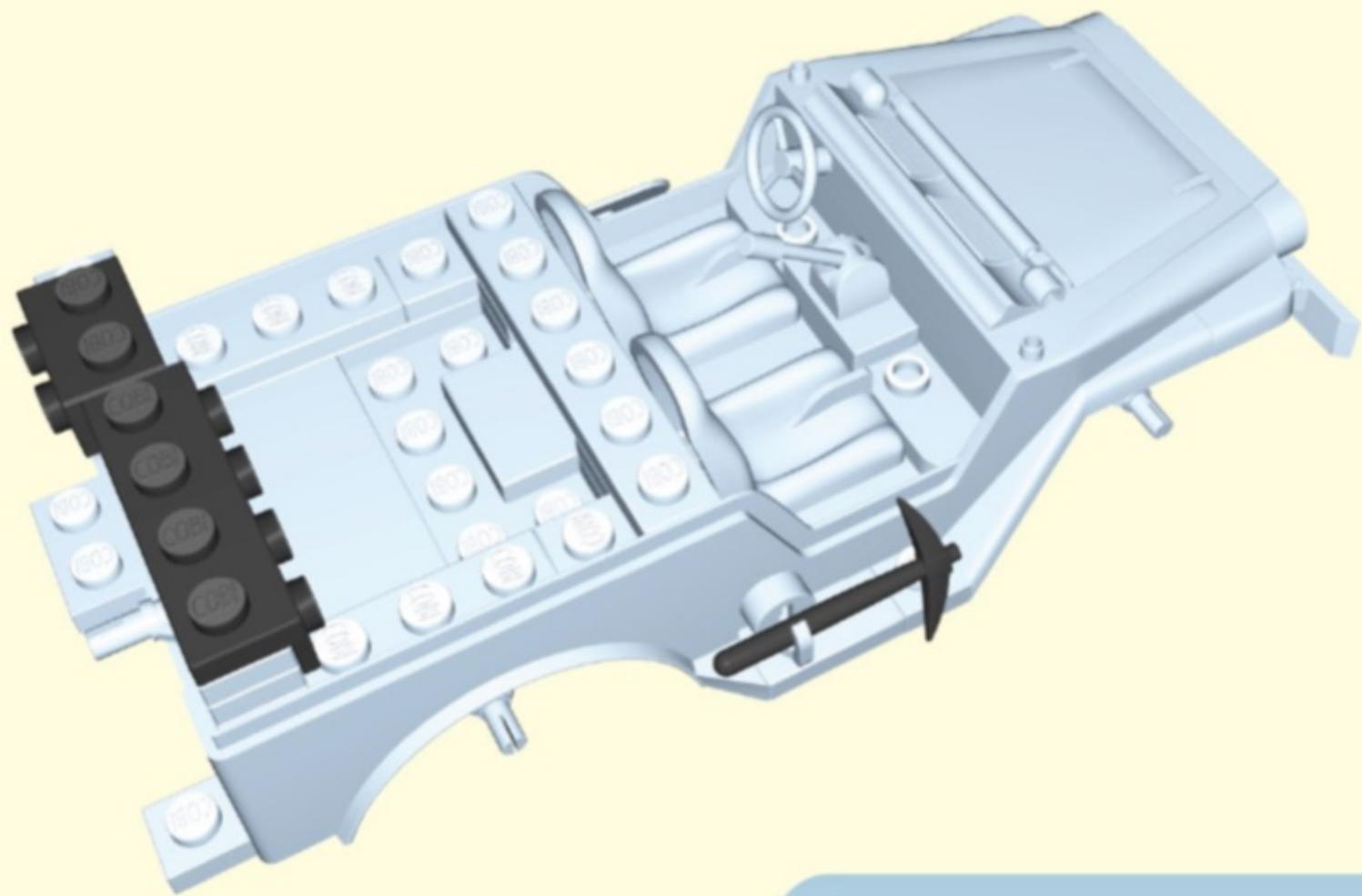


14

15



16



X1

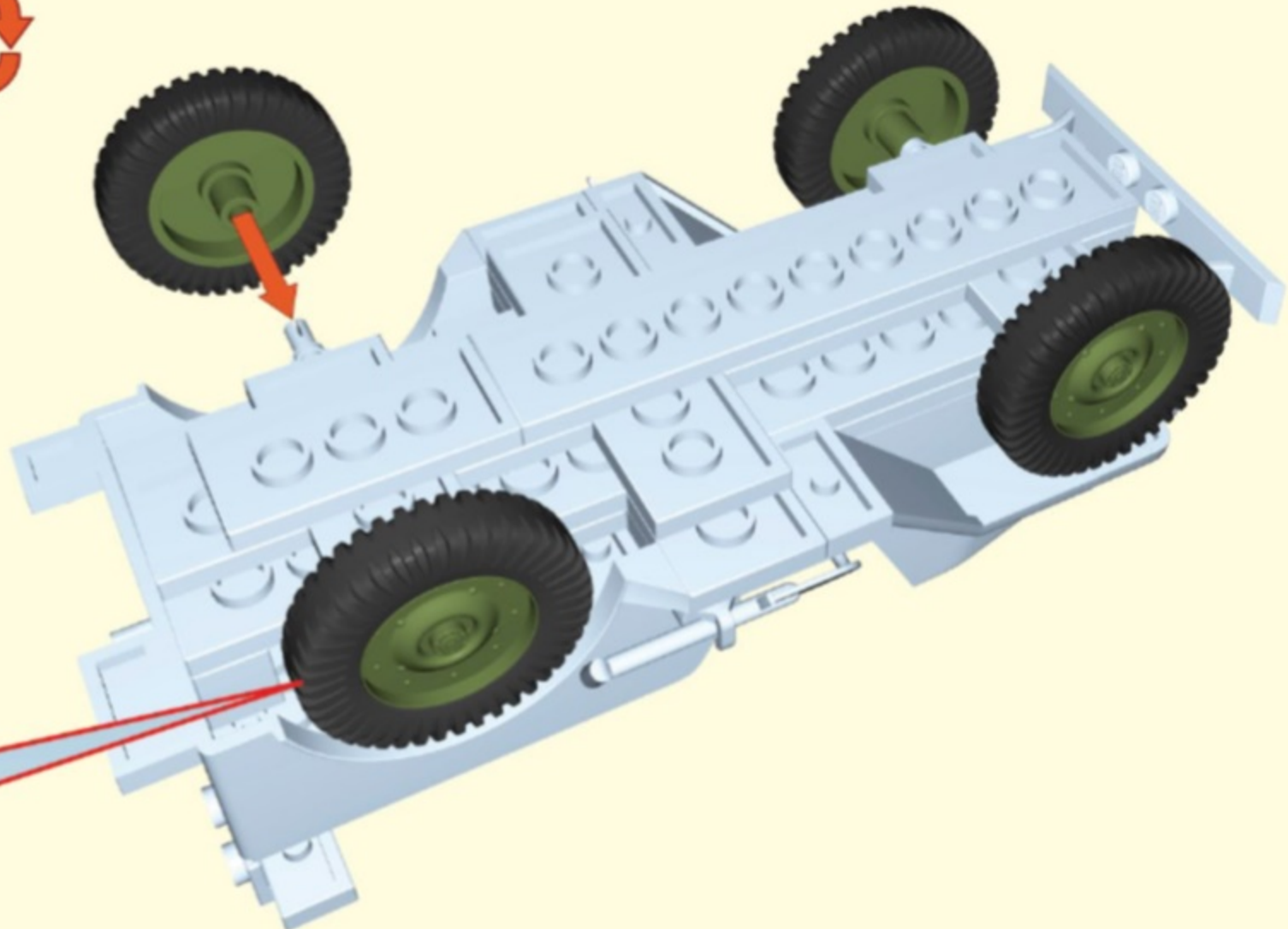


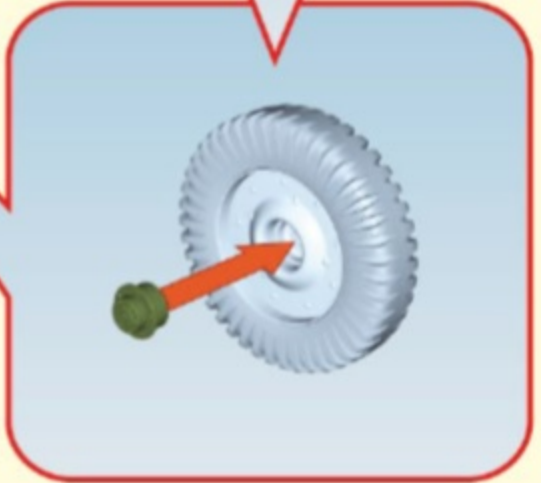
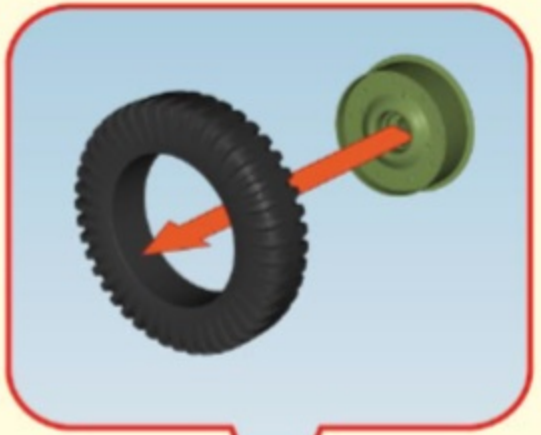
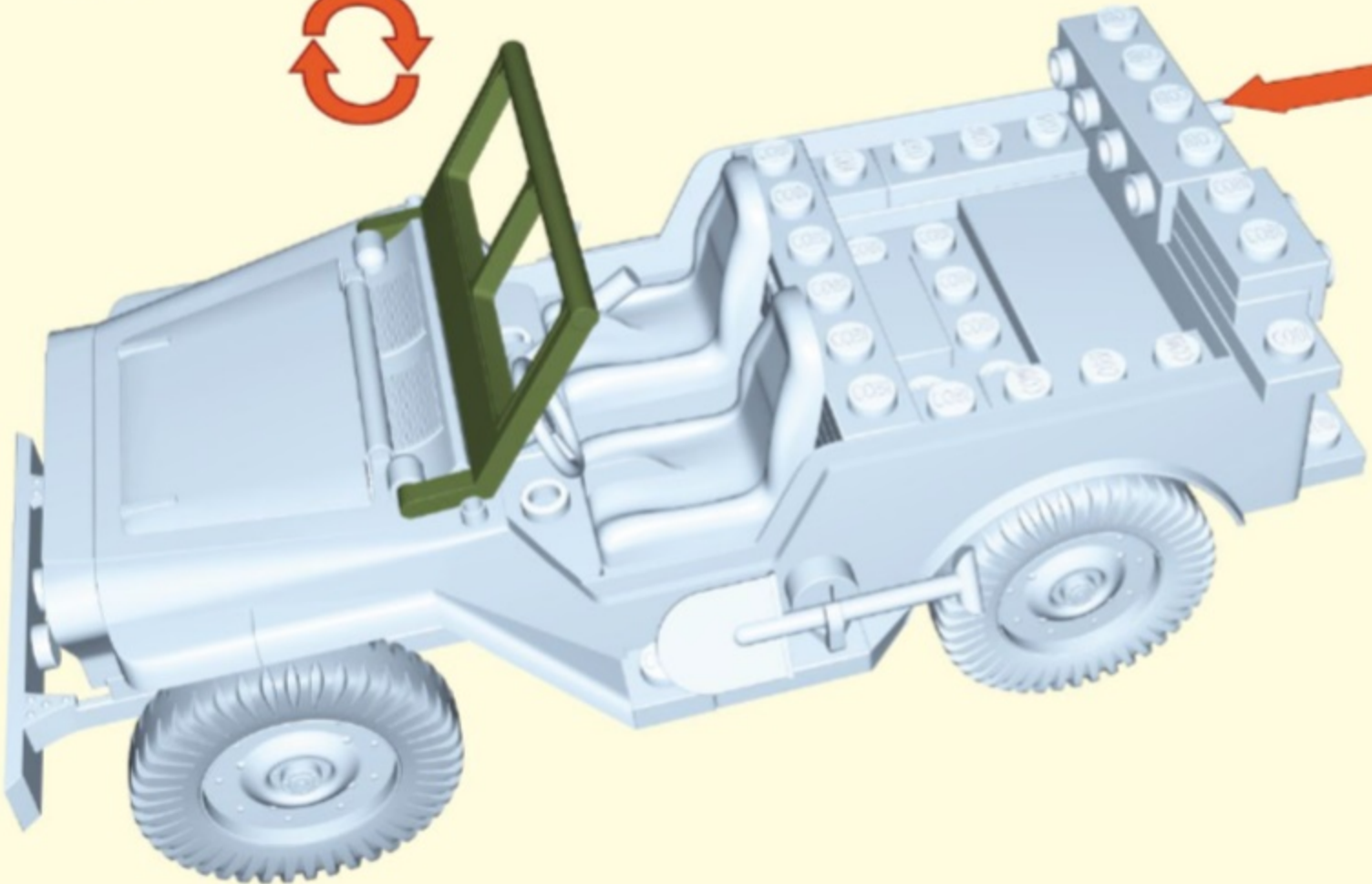
X1



X1

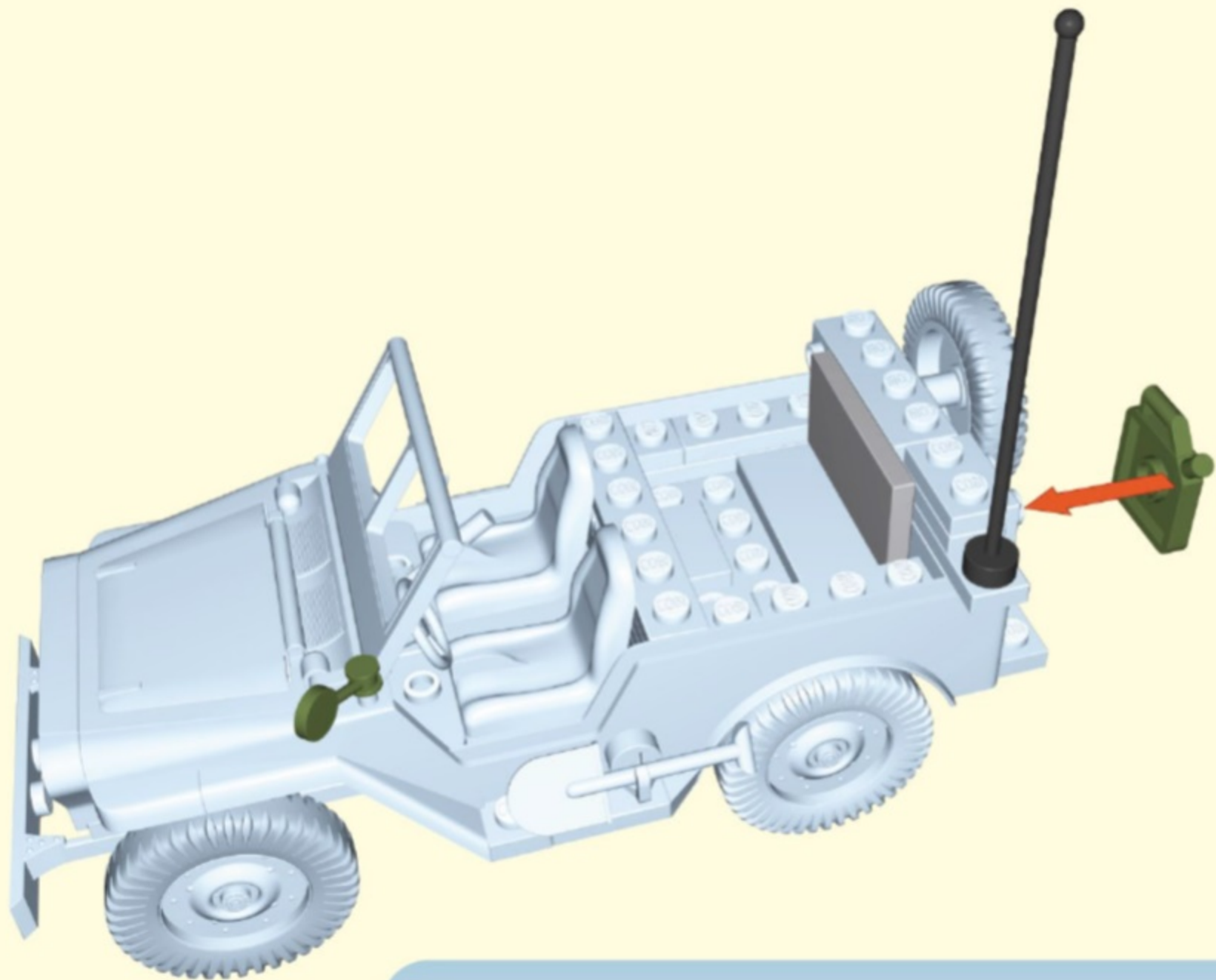
17



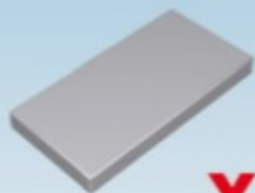


-  **X1**
-  **X1**
-  **X1**
-  **X1**

19



X1



X1

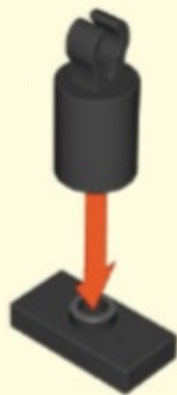


X1



X1

20



21



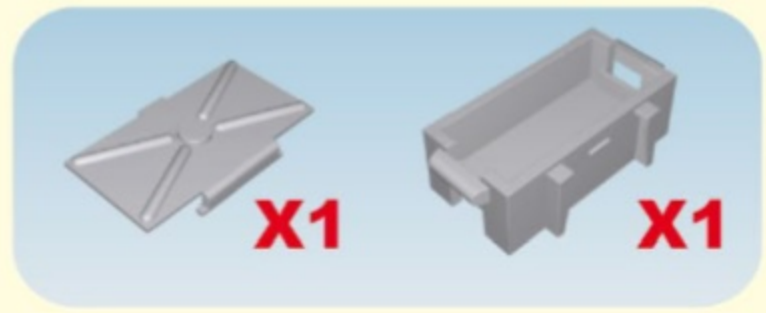
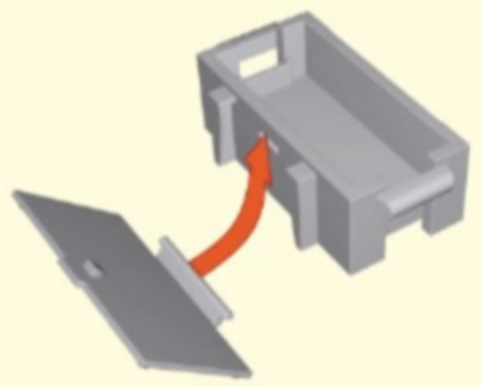
22



23



24





01-24090-81

WWW.COBI.EU